



## VERSAMAXX-EXT™ | 50T HRG TRANSFORMER

Versatility and durability. That's what you can expect from the new VersaMAXX-EXT™ 50T HRG Transformer trailer. This powerhouse is designed specifically for strength, flexibility, performance and transforms from 48' – 53' instantly to meet your coast-to-coast needs. And because this trailer bears the Kalyn Siebert name, you can rest assured your payload and your investment are in good hands.

### High Performance Product

All Kalyn Siebert trailers are engineered to exceed the toughest standards in the industry, delivering:

- Maximum strength at low tare weights
- Lowest maintenance costs
- Longest service life
- The highest possible return on investment

You can rest assured our trailers protect your payload and your investment.

**That's the Kalyn Siebert Advantage.**

### High Performance Design

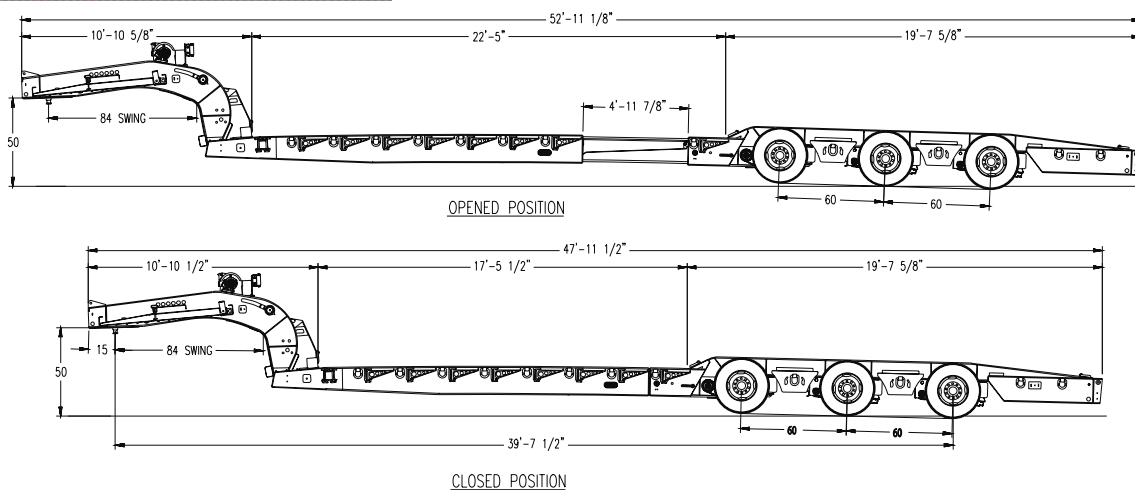
- 100k lbs capacity
- 22" loaded deck height
- 6" ground clearance
- 5-position detachable gooseneck
- 2-15k winches w/wireless remotes
- 48' – 53' Transformer advantage
- CA-legal/Inner city/Large transport

**ENGINEERED TO PERFORM. BUILT TO LAST.**

1505 West Main Street, Gatesville, TX 76528 | 800.525.9589 | [www.kalynsiebert.com](http://www.kalynsiebert.com)

**KALYN  
SIEBERT®**  
[www.kalynsiebert.com](http://www.kalynsiebert.com)

# Kalyn Siebert | VersaMAXX-EXT™



## Standard Specs

### MAIN DECK

17'-6" – 22'-6"  
22" Loaded Deck Height  
6" Ground Clearance  
Four-beam Design  
100,000 PSI Minimum Yield Flange  
80,000 PSI Minimum Yield Web  
Bent D-rings Per Side (x6)  
Tie-down Slots in Top Flange  
Removable Outriggers Per Side (x10)  
8" I-beam X-members on 24" Centers  
4" Jr I-beam Alternating on 12" Centers  
1 3/8" Apitong Floor (Steel Center)

### GOOSENECK

Hydraulic Removable Neck  
Set Up For Wet-line Operation  
10'-10" Non-ground Bearing  
Adjustable 5-position Ride Height  
84" Swing Clearance  
50" Kingpin Height / 15" Kingpin Setting  
Lugs for 24"-28" Flip Neck

### REAR BRIDGE

19'-7" Rear Bridge  
D-rings at Rear (x17)  
Load-bearing Bolsters  
Air Lift Rear Axle  
Flag Holders  
Self-retracting Bridge

### RAMPS

Steel Front Flip Ramps for  
Equipment Loading (Removable)  
6' Aluminum Ramps for Bus Loading  
(5-degree Load Angle)  
Aluminum Ramp Storage  
Rear Lugs For Aluminum Ramps

### WINCHES

2-15k Winches (gooseneck & rear)  
Four-function Wireless Remote  
100' of 1/2" Wire Rope  
Cable Tensioner  
Lighted Control Cabinet  
LED Work Lights

### SUSPENSION

25,000 lb. Air Ride  
Auto/Manual Air Control System

### AXLES

25,000 lb. Nominal (x3)  
60" Spacing  
ABS (4S/2M)/Parking Brake Two Axles  
Tapered Spindles/Automatic Slacks  
Hub-piloted 8-stud Mount  
Outboard Cast Drums  
12 1/4" X 7 1/2" Brakes (QC)

### WHEELS/TIRES

6.75 X 17.5 Steel Disc Wheels  
235/75R 17.5 16-ply Tires

### ELECTRICAL SYSTEM

D.O.T. Approved 12V/7-way  
LED-sealed Beam Lights and Harness  
Marker Lights/Mid-turn Signals  
Third Tail as Strobe Light

## Options\*

13 HP Power Package  
Dual Hydraulic System  
LED Work Lights  
Battery Back-Up with 12V Charger  
24" – 28" Flip Neck  
20K Winch — 100' of 5/8" Wire Rope  
Auxiliary Air Connection (front/rear)

Air Weigh  
Tire Inflation System  
Disc Brakes  
Aluminum Wheels  
Spare Tire Carrier  
Air Lift Axle (front/rear)  
53'-63' Overall Length Available

## Warranty

5-year prorated frame  
3-year prorated paint  
1 year on remainder of trailer

The VersaMAXX-EXT 50T HRG Transformer can be customized to meet your specific needs. Call us at 800.525.9689 or visit [www.kalynsiebert.com](http://www.kalynsiebert.com) to request a custom quote.

\* Additional options available

