



OWNER'S MANUAL SP-850

INSTALLATION, OPERATION, MAINTENANCE & PARTS

NOTE: MANUAL including SPECIFICATIONS, subject to change without notice
All ratings specified are based on structural factors only,
not vehicle capacities or capabilities.



8503 Hilltop Drive
Ooltewah, Tennessee 37363

Phone (423) 238-4171 • FAX (423) 238-5371

FORM NO. 0501115
10 / 2000

LIMITED WARRANTY

MILLER INDUSTRIES TOWING EQUIPMENT INC., hereinafter referred to as MILLER, warrants to the original purchaser that each new MILLER wrecker or other MILLER products will be free from defects in material and workmanship for a period of twelve (12) months from date placed in service, but in no event shall such warranty period exceed twenty-four (24) months from date of manufacture by MILLER. The purchaser must promptly notify MILLER in writing of any failure in material or workmanship. In no event shall MILLER accept such notification later than twenty-four (24) months from date of delivery or twelve (12) months from date placed in service, whichever is earlier.

MILLER's obligation under this warranty, statutory or otherwise, is limited to the repair or replacement at the MILLER factory, or at a point designated by MILLER, of such part or parts as shall appear upon inspection by MILLER to be defective in material or workmanship. New or remanufactured parts will be used for any replacement at MILLER's option. This warranty is not transferable. This warranty does not obligate MILLER to bear the cost of labor or transportation charges in connection with the repair or replacement of any parts found to be defective, nor shall it apply to a product upon which repairs or alterations have been made unless authorized by MILLER.

EXCEPT AS EXPRESSLY SET FORTH IN THIS WARRANTY, MILLER MAKES NO OTHER WARRANTY, EXPRESS OR IMPLIED, AND HEREBY DISCLAIMS ALL OTHER WARRANTIES INCLUDING, BUT NOT LIMITED TO, THE IMPLIED WARRANTIES OF MERCHANTABILITY AND FITNESS FOR A PARTICULAR PURPOSE. MILLER shall in no event be liable for claimed downtime, claimed loss of profits or goodwill, or any other special, incidental, indirect, or consequential damages concerning or relating to any product or parts, whether based on negligence, strict liability, breach of contract, breach of warranty, misrepresentation or any other legal theory, regardless of whether the loss resulted from any general or particular requirement which MILLER knew or had reason to know about at the time of sale.

MILLER MAKES NO WARRANTY, EXPRESS OR IMPLIED, AS TO THE FINISHED PRODUCTS MANUFACTURED OR SUPPLIED BY ANOTHER MANUFACTURER AND SUPPLIED BY MILLER TO PURCHASER, including, but not limited to, any vehicle to which a MILLER product may be affixed or any accessories or wire rope, and MILLER EXPRESSLY DISCLAIMS ANY IMPLIED WARRANTIES OF MERCHANTABILITY OR FITNESS FOR A PARTICULAR PURPOSE AS TO SUCH EQUIPMENT OR PRODUCTS. This language shall in no way affect or diminish the rights of the purchaser to rely on such warranties as are extended by such manufacturers or suppliers. MILLER shall, to the extent permitted under applicable law, pass on to the purchaser such manufacturer's or seller's warranty.

MILLER, whose policy is one of continuous improvement, reserves the right to improve its products through changes in design or materials as it may deem desirable without being obligated to incorporate such changes in products previously sold. This warranty is not intended to cover or include the following items, which are set forth by way of example and not limitation:

- A. Normal deterioration of trim, paint, lettering, and appearance items due to wear or exposure to weather, road conditions, road treatments, etc.
- B. Any damage or defect due to accident, misuse, abuse, improper or unauthorized repairs, failure to provide reasonable and necessary maintenance, or uses for which the equipment was not designed or intended.
- C. Alterations or modifications that affect performance, operation or reliability.
- D. Normal maintenance parts including, but not limited to, wear pads, bushings, wire rope, mud flaps, fenderettes, light bulbs, hydraulic oil, filters, and tow sling belts.

IT IS EXPRESSLY UNDERSTOOD THAT MILLER MAKES NO IMPLIED WARRANTY THAT MILLER PRODUCTS SHALL BE FIT FOR THE PURPOSE OF LIFTING OR MOVING PEOPLE OR FOR ANY OTHER IMPROPER USE.



Miller Industries Towing Equipment Inc.
8503 Hilltop Drive
Ooltewah, Tennessee 37363

SERIAL NUMBER

Telephone (423) 238-4171

Section IV - PARTS

This Section is provided by the manufacturer for the purpose of ordering any component part of the **SP-850** that may be required when part replacement is necessary. Be certain to use only original equipment replacement parts for warranty purposes as well as for keeping your **SP-850** in its original state and optimum operating capacities. When ordering replacement or spare parts be sure to provide the following information to the manufacturer's **Parts Department**.

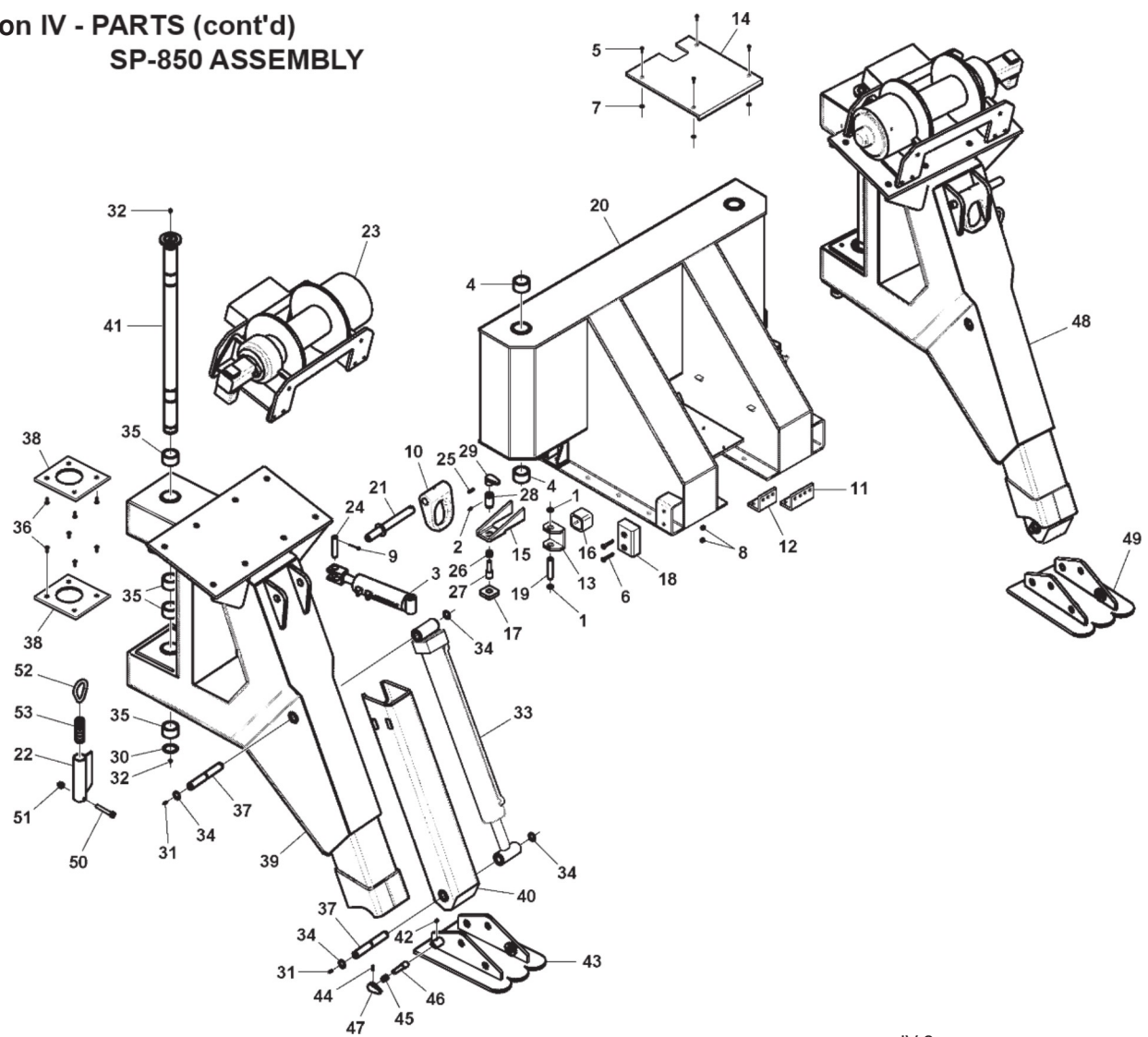
1. **Manual Number & Date of Publication**
2. **Manual Page Number**
3. **Page Title**
4. **Reference Number of Part Desired**
5. **Part Number**
6. **Part Description**
7. **Quantity of Part Desired**

Providing this information will help ensure that the correct parts will be delivered to you in an expedient manner. Should additional information be required for repair or replacement of certain components, contact your Manufacturer Authorized Representative.

The Manufacturer reserves the right, without notice or obligation, to improve or modify their products, which may change the specifications, models and feature availability.

Section IV - PARTS (cont'd) SP-850 ASSEMBLY

Section IV - PARTS (cont'd)
SP-850 ASSEMBLY

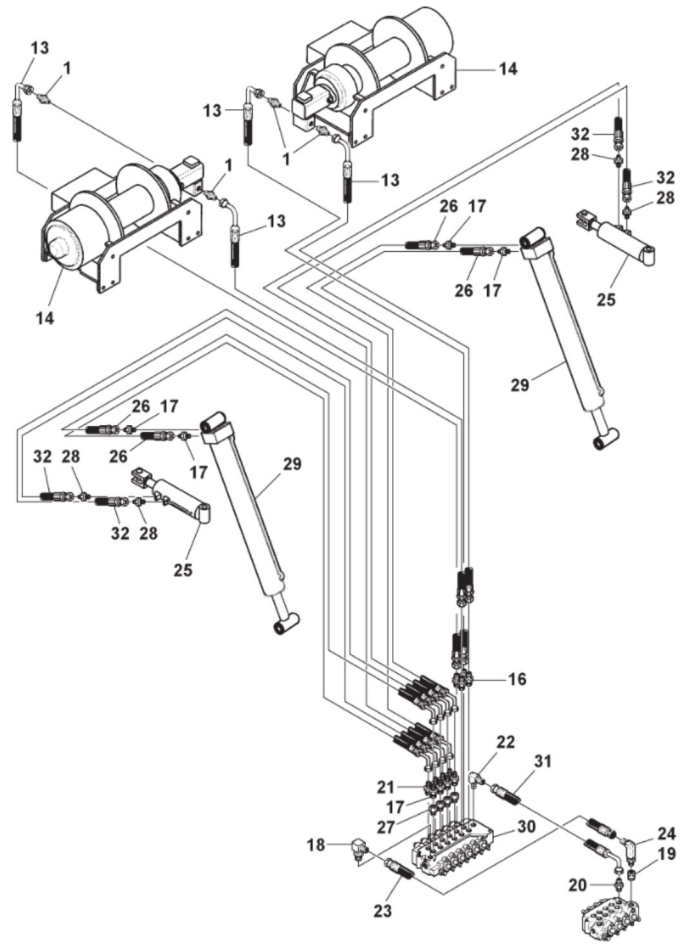


Section IV - PARTS (cont'd)
SP-850 ASSEMBLY

REF. NO.	NO. REQ'D	PART NUMBER	DESCRIPTION
--	--	0904421	SIDE PULLER ASSEMBLY, SP-850
1	4	0300110	SNAP RING, 1"
2	2	0300113	GREASE FITTING
3	2	0303042	SWING CYLINDER
4	4	0303839	PIVOT BUSHING
5	4	0400060	SCREW, 1/4"-20 X 1/2" HEX HD CAP
6	4	0400150	SCREW, 3/8"-16 X 2-1/2" HEX HD CAP
7	4	0400367	NUT, 1/4"-20 NYLOK HEX
8	4	0400392	NUT, 3/8"-16 NYLOK HEX
9	2	0400468	COTTER PIN, 3/16" X 2"
10	2	0708452	"D" RING, TOWING
11	1	0711250	PLATE, CONTROL BULKHEAD
12	1	0711251	PLATE, CONTROL BULKHEAD
13	2	0713568	BRACKET, SWING CYLINDER FRAME
14	1	0713793	COVER, SIDE PULLER VALVE
15	2	0714278	PLATE, PLUNGER HOUSING
16	2	0714545	TUBE, BRACKET REINFORCING
17	2	0714853	PLATE, LEG LOCK
18	2	0714990	SNUBBER BLOCK, SP-850 LEG
19	2	0715529	PIVOT PIN, FOLD CYLINDER
20	1	0803796	SUPPORT PIVOT FRAME WELDMENT
21	2	0803923	PIN WELDMENT, "D" RING
22	2	0804054	CABLE TIE BACK WELDMENT
23	1	0904460	WINCH KIT (REFER TO PAGE VI-4)
--	1	0906298	LEG ASSEMBLY, LEFT
--	1	0906299	LEG ASSEMBLY, RIGHT
--	2	0906572	WINCH CABLE STOW KIT
24	2	29306100	CLEVIS PIN
25	2	HD0125	SPRING PIN, 5/32" X 1-3/8"
26	2	HD1203	COMPRESSION SPRING
27	2	RB0296	PLUNGER PIN, PULL LOCK
28	2	RB0297	HOUSING, PLUNGER LOCK
29	2	RB0357	HANDLE, PULL GRIP
--	--	0906298	LEG ASSEMBLY, LEFT
30	1	0300108	SNAP RING, 2-1/2"
31	2	0300113	GREASE FITTING, 1/4"-28 STR
32	2	0301895	GREASE FITTING, 1/8" STR
33	1	0303691	JACK CYLINDER
34	4	0303827	SNAP RING, 1-1/4"
35	4	0303839	PIVOT BUSHING
36	8	0400079	SCREW, 1/4"-20 X 3/4" FL HD SKT
37	2	0713510	PIN, CYLINDER

REF. NO.	NO. REQ'D	PART NUMBER	DESCRIPTION
38	2	0713763	THRUST PAD
39	1	0803797	SIDE PULLER LEG WELDMENT
40	1	0803803	INNER JACK TUBE WELDMENT
41	1	0803822	PIVOT PIN WELDMENT
--	1	0906296	FOOT ASSEMBLY, LEFT
--	--	0906296	FOOT ASSEMBLY, LEFT
42	1	0301397	GREASE FITTING, 90°
43	1	0803804	FOOT WELDMENT, LEFT
44	1	HD0125	SPRING PIN, 5/32" X 1-3/8"
45	1	HD1203	COMPRESSION SPRING
46	1	RB0296	PLUNGER PIN, PULL LOCK
47	1	RB0357	HANDLE, PULL GRIP
48	--	0906299	LEG ASSEMBLY, RIGHT
--	1	0300108	SNAP RING, 2-1/2"
--	2	0300113	GREASE FITTING, 1/4"-28 STR
--	2	0301895	GREASE FITTING, 1/8" STR
--	1	0303691	JACK CYLINDER
--	4	0303827	SNAP RING, 1-1/4"
--	4	0303839	PIVOT BUSHING
--	8	0400079	SCREW, 1/4"-20 X 3/4" FL HD SKT
--	2	0713510	PIN, CYLINDER
--	2	0713763	THRUST PAD
--	1	0803797	SIDE PULLER LEG WELDMENT
--	1	0803803	INNER JACK TUBE WELDMENT
--	1	0803822	PIVOT PIN WELDMENT
--	1	0906297	FOOT ASSEMBLY, RIGHT
49	--	0906297	FOOT ASSEMBLY, RIGHT
--	1	0300113	GREASE FITTING, 1/4"-28 STR
--	1	0803894	FOOT WELDMENT, RIGHT
--	1	HD0125	SPRING PIN, 5/32" X 1-3/8"
--	1	HD1203	COMPRESSION SPRING
--	1	RB0296	PLUNGER PIN, PULL LOCK
-	1	RB0357	HANDLE, PULL GRIP
--	--	0906572	WINCH CABLE STOW KIT
50	1	0400265	SCREW, 5/8"-11 X 4" HEX HD CAP
51	1	0400421	NUT, 5/8"-11 NYLOK HEX
52	1	9048800	WEEDLESS CHAIN LINK, 5/8"
53	1	945030007	CABLE TIE BACK SPRING

Section IV - PARTS (cont'd)
SP-850 HYDRAULICS



Section IV - PARTS (cont'd)
SP-850 HYDRAULICS

REF. NO.	NO. REQ'D	PART NUMBER	DESCRIPTION
--	--	0904460	WINCH KIT (HYDRAULICS & AIR FREE SPOOL)
1	4	0300041	CONNECTOR, 8MJ-8MB
2	2	0300324	VALVE, SOLENOID AIR CONTROL
3	80 FT.	0301577	PLASTIC TUBING, 1/4" O.D. BLACK
4	2	0301610	CONNECTOR, 4TB-4MP
5	4	0302335	ADAPTER, 4TB-2MB
6	80 FT.	0302495	CONVOLUTED LOOM
7	24	0302546	CLAMPING UNIT
8	24	0302550	SPLIT BUSHING, 3/4"
9	12	0302551	STACKING NUT, SKT HD
10	12	0302552	WELD ADAPTER
11	2	0302607	TEE UNION, 4TB-4TB-4TB
12	2	0302677	BREATHER VENT, 1/8" MP
13	4	0303438	HOSE ASSEMBLY, 92"
14	2	0306534	WINCH, 35K DP NARROW DRUM
15	24	0400118	SCREW, 5/16"-18 X 3/4" HEX HD CAP
--	--	0904474	HYDRAULIC ASSEMBLY
16	4	0300041	CONNECTOR, 8MJ-8MB
17	8	0300044	CONNECTOR, 6MJ-8MB
18	1	0300052	ELBOW, 8MJ-10MB90
19	1	0300286	ADAPTER, H.P.C.O.
20	1	0300400	ADAPTER, 12MJ-12MB
21	4	0301778	CONNECTOR, 6MJ-10MB
22	1	0302051	ELBOW, 8MJ-6MP90
23	1	0302277	HOSE ASSEMBLY, 106"
24	1	0302508	ELBOW, 8MJ-8MB90L
25	2	0303042	SWING CYLINDER
26	4	0303171	HOSE ASSEMBLY, 111"
27	4	0303176	CONNECTOR, 10MB-8FB
28	4	0303671	ORIFICE FITTING, 6MJ-6MB-1/32
29	2	0303691	JACK CYLINDER
30	1	0303833	VALVE, CONTROL VDPR-DDDDCC
31	1	0303835	HOSE ASSEMBLY, 100"
32	4	0303866	HOSE ASSEMBLY, 68"
33	3	0400135	SCREW, 3/8"-16 X 4-1/2" HEX HD CAP
34	3	0400392	NUT, 3/8"-16 NYLOK HEX
35	3	0704045	SPACER, CONTROL VALVE

Section IV - PARTS (cont'd)
SP-850 WINCH KIT (LESS HYDRAULICS)

REF. NO.	NO. REQ'D	PART NUMBER	DESCRIPTION
1	2	0306534	WINCH, 35K DP NARROW DRUM
2	2	0306536	ROLLER GUIDE
3	16	0400288	SCREW, 3/4"-10 X 2-1/2" HEX HD CAP
4	16	0400430	NUT, 3/4"-10 NYLOK HEX

SP-850 MOUNTING HARDWARE KIT

REF. NO.	NO. REQ'D	PART NUMBER	DESCRIPTION
1	20	0400262	SCREW, 5/8"-11 X 2-1/2" HEX HD CAP
2	20	0400426	NUT, 5/8"-11 NYLOK HEX
3	40	0400503	WASHER, 5/8" FLAT

Section IV - PARTS (cont'd)
SP-850 BODY OPTIONS

REF. NO.	NO. REQ'D	PART NUMBER	DESCRIPTION
--	--	125020472	STEEL BODY ASSEMBLY (TANDEM)
1	8 FT.	0303201	HINGE GASKET
2	1	0306952	LEFT TOOLBOX, STEEL 204" C.B.
3	1	0306953	RIGHT TOOLBOX, STEEL 204" C.B.
4	1	0705090	MUDFLAP MOUNTING ANGLE, LEFT
5	1	0705091	MUDFLAP MOUNTING ANGLE, RIGHT
6	1	0901496	CENTURY NAMEPLATE KIT
7	1	0901604	MUDFLAP KIT
8	1	0902150	RUBBER FENDER KIT
9	1	0902316	MODULAR MOUNTS KIT
10	1	0902337	MODULAR LIGHT KIT
11	1	0903999	DOOR BUMPER KIT
--	--	0904582	STEEL TIMBERBOX KIT
12	1	0303791	LEFT TIMBERBOX
13	1	0303792	RIGHT TIMBERBOX
14	8	0400185	SCREW, 1/2"-13 X 2-1/2" HEX HD CAP
15	8	0400188	SCREW, 1/2"-13 X 2" HEX HD CAP
16	16	0400408	NUT, 1/2"-13 NYLOK HEX
17	16	0400492	WASHER, 1/2" FLAT
18	4	0713706	TOOLBOX BRACKET L-STYLE
19	4	0714546	BAR-L BRACKET REINFORCING
20	1	0904951	MODULAR WIRE KIT
--	--	0906366	TOOLBOX SUPPORT BRACKET KIT
21	8	0400177	SCREW, 1/2"-13 X 1-1/4" HEX HD CAP
22	8	0400408	NUT, 1/2"-13 NYLOK HEX
23	8	0400492	WASHER, 1/2" FLAT
24	2	0804268	SUPPORT BRACKET WELDMENT
25	1	0906704	TOOLBOX LOOM KIT

Section IV - PARTS (cont'd)
SP-850 BODY OPTIONS

REF. NO.	NO. REQ'D	PART NUMBER	DESCRIPTION
--	--	125020473	STEEL BODY ASSEMBLY (TRI-AXLE)
1	8 FT.	0303201	HINGE GASKET
2	1	0306954	LEFT TOOLBOX, STEEL 204" C.B.
3	1	0306955	RIGHT TOOLBOX, STEEL 204" C.B.
4	1	0705090	MUDFLAP MOUNTING ANGLE, LEFT
5	1	0705091	MUDFLAP MOUNTING ANGLE, RIGHT
6	1	0901496	CENTURY NAMEPLATE KIT
7	1	0901604	MUDFLAP KIT
8	1	0902235	RUBBER FENDER KIT, TRI-AXLE
9	1	0902316	MODULAR MOUNTS KIT
10	1	0902337	MODULAR LIGHT KIT
11	1	0903999	DOOR BUMPER KIT
--	--	0904582	STEEL TIMBERBOX KIT
12	1	0303791	LEFT TIMBERBOX
13	1	0303792	RIGHT TIMBERBOX
14	8	0400185	SCREW, 1/2"-13 X 2-1/2" HEX HD CAP
15	8	0400188	SCREW, 1/2"-13 X 2" HEX HD CAP
16	16	0400408	NUT, 1/2"-13 NYLOK HEX
17	16	0400492	WASHER, 1/2" FLAT
18	4	0713706	TOOLBOX BRACKET L-STYLE
19	4	0714546	BAR-L BRACKET REINFORCING
20	1	0904951	MODULAR WIRE KIT
--	--	0906366	TOOLBOX SUPPORT BRACKET KIT
21	8	0400177	SCREW, 1/2"-13 X 1-1/4" HEX HD CAP
22	8	0400408	NUT, 1/2"-13 NYLOK HEX
23	8	0400492	WASHER, 1/2" FLAT
24	2	0804268	SUPPORT BRACKET WELDMENT
25	1	0906704	TOOLBOX LOOM KIT

Section IV - PARTS (cont'd)
SP-850 BODY OPTIONS

REF. NO.	NO. REQ'D	PART NUMBER	DESCRIPTION
--	--	125020482	ALUMINUM BODY ASSEMBLY (TANDEM)
1	1	0303933	LEFT ALUMINUM SADDLEBOX
2	1	0303934	RIGHT ALUMINUM SADDLEBOX
3	120 FT.	0306553	DOOR SEAL
4	1	0306768	LEFT TOOLBOX, ALUMINUM 204" C.B.
5	1	0306769	RIGHT TOOLBOX, ALUMINUM 204" C.B.
6	1	0708809	MUDFLAP MOUNTING ANGLE, RIGHT
7	1	0708810	MUDFLAP MOUNTING ANGLE, LEFT
8	1	0901496	CENTURY NAMEPLATE KIT
9	1	0902104	LARGE WRECKER MUDFLAP KIT
10	1	0902150	RUBBER FENDER KIT
11	1	0903999	DOOR BUMPER KIT
12	1	0904951	MODULAR WIRE KIT
--	--	0904974	TIMBERBOX INSTALL KIT
13	8	0400185	SCREW, 1/2"-13 X 2-1/2" HEX HD CAP
14	8	0400188	SCREW, 1/2"-13 X 2" HEX HD CAP
15	16	0400408	NUT, 1/2"-13 NYLOK HEX
16	16	0400492	WASHER, 1/2" FLAT
17	4	0713706	TOOLBOX BRACKET L-STYLE
18	4	0714546	BAR-L BRACKET REINFORCING
19	1	0906256	TRAY KIT
--	--	0906366	TOOLBOX SUPPORT BRACKET KIT
20	8	0400177	SCREW, 1/2"-13 X 1-1/4" HEX HD CAP
21	8	0400408	NUT, 1/2"-13 NYLOK HEX
22	8	0400492	WASHER, 1/2" FLAT
23	2	0804268	SUPPORT BRACKET WELDMENT
24	1	0906438	MODULAR MOUNTS KIT
25	1	0906546	MODULAR LIGHT KIT
26	1	0906704	TOOLBOX LOOM KIT

Section IV - PARTS (cont'd)
SP-850 BODY OPTIONS

REF. NO.	NO. REQ'D	PART NUMBER	DESCRIPTION
--	--	125020483	ALUMINUM BODY ASSEMBLY (TRI-AXLE)
1	1	0303933	LEFT ALUMINUM SADDLEBOX
2	1	0303934	RIGHT ALUMINUM SADDLEBOX
3	120 FT.	0306553	DOOR SEAL
4	1	0306770	LEFT TOOLBOX, ALUMINUM 204" C.B.
5	1	0306771	RIGHT TOOLBOX, ALUMINUM 204" C.B.
6	1	0705090	MUDFLAP MOUNTING ANGLE, LEFT
7	1	0705091	MUDFLAP MOUNTING ANGLE, RIGHT
8	1	0901496	CENTURY NAMEPLATE KIT
9	1	0901604	MUDFLAP KIT
10	1	0902235	RUBBER FENDER KIT, TRI-AXLE
11	1	0902337	MODULAR LIGHT KIT
12	1	0903999	DOOR BUMPER KIT
13	1	0904353	CHAIN RACK, ALUMINUM BODY
14	1	0904951	MODULAR WIRE KIT
--	--	0904974	TIMBERBOX INSTALL KIT
15	8	0400185	SCREW, 1/2"-13 X 2-1/2" HEX HD CAP
16	8	0400188	SCREW, 1/2"-13 X 2" HEX HD CAP
17	16	0400408	NUT, 1/2"-13 NYLOK HEX
18	16	0400492	WASHER, 1/2" FLAT
19	4	0713706	TOOLBOX BRACKET L-STYLE
20	4	0714546	BAR-L BRACKET REINFORCING
--	--	0906366	TOOLBOX SUPPORT BRACKET KIT
21	8	0400177	SCREW, 1/2"-13 X 1-1/4" HEX HD CAP
22	8	0400408	NUT, 1/2"-13 NYLOK HEX
23	8	0400492	WASHER, 1/2" FLAT
24	2	0804268	SUPPORT BRACKET WELDMENT
25	1	0906438	MODULAR MOUNTS KIT
26	1	0906704	TOOLBOX LOOM KIT



8503 Hilltop Drive • Ooltewah, Tennessee 37363 • (423) 238-4171
www.millerind.com