

CENTURY®

1060 & 1075 Rotator Series



Century 1075 S with front 3 stage outriggers, rear 4 stage outriggers and other popular options shown.

Power + Versatility = Performance

For more than three decades, Century has set the industry standard for superior quality and design in heavy-duty recovery equipment. This level of success can be attributed to Century making versatility a high priority. Century understands the importance of providing towers with the ultimate piece of equipment for both towing and recovery applications alike.

For your more difficult tows, Century's durable, field-proven underlift operates independent of the recovery boom. And for your more demanding recoveries, the ruggedly powerful three-stage recovery boom is fabricated from high-tensile steel to save weight without sacrificing strength. Finally, Century offers a choice of six different outrigger systems for stabilizing your rotator during the really heavy lifts.

Combine this strength and versatility with high-end features such as lightweight aluminum tool compartments that maximize storage for your additional towing and recovery equipment, and you can see why Century is the industry's number one selling brand of rotator.

Miller
INDUSTRIES

The aluminum body is designed to optimize space for your lift forks, attachments and recovery equipment. Optional front tunnel saddle boxes are available in a variety of sizes to meet your specific needs.



Thanks to 360 degrees of continuous boom rotation, the boom can travel while in a forward position when mounted on a chassis with adequate clearance. This allows more weight to be transferred to the front axle when towing heavy loads as well as providing clearance over the rotator's rear deck when towing vehicles with front overhang such as fire, snorkel or ladder trucks. With the boom forward, the operator can also perform lifting and recovery applications off the front of his rotator.



Manual driver side controls are arranged in a user-friendly layout with elongated winch handles for easy identification. Standard leveling gauges, hydraulic pressure gauges and air free spool controls are also located at the driver side control station. Your new Century Rotator is available with several different options, including proportional backlit controls, an engine data information center and a rear backlit keypad as shown.



The standard eight-function wireless underlift controller can be operated from inside the cab or at the rear of the truck. The controller has a magnetic back and can be attached to the side of the underlift or the rear of the truck while hooking up. A red light on the dash indicates whether or not the controller has been returned to its docking station, where it can be recharged, and so the operator doesn't accidentally drive off without it.



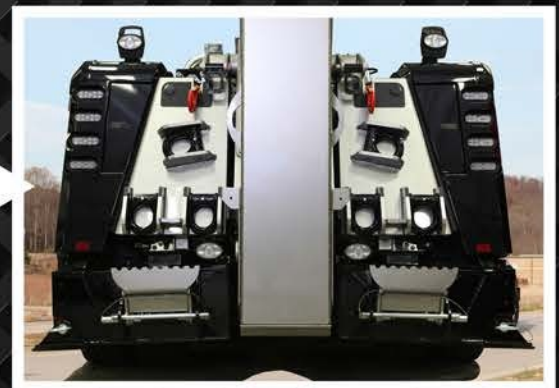
The optional Mvec power distribution center includes two backlit keypads – one located in the cab and one at the rear control station.



The optional wireless proportional controls allow the operator to feather the recovery boom functions while being able to move to his best vantage point.



One set of D-rings and tailboard recovery anchors are standard. Additional D-rings and aluminum dress-up kits are also available.



CENTURY®

1060 & 1075 Rotator Series



Century 1075 S/2 with turret-mounted winches, front 3 stage outriggers, rear H-beam outriggers and other popular options shown.

Outrigger Systems



Standard top beam front outriggers with 212-inch stance



Standard three-stage rear outriggers with 174-inch stance



Optional two-stage front under-frame H-Beam outriggers with 212-inch stance



Optional four-stage rear outriggers with 220-inch stance



Optional three-stage front under-frame H-Beam outriggers with 262-inch stance



Optional rear H-Beam outrigger with 262-inch stance (requires HHU underlift in place of SDU-4)

Outrigger Systems

The winch sheave heads for the optional turret-mounted winches are located on each side of the first stage of the recovery boom. A pair of D-rings are located on all three boom stages as are additional shackle points at all sheave heads.



For maximum power and performance in tough recovery situations, your Century 1060S and 1075S Rotators are available with a single 50,000-pound drag winch or dual 35,000-pound versions.

The turret-mounted winch option provides two additional 22,000-pound winches to increase your lifting and recovery capabilities. The winches are also available in combination with the 50,000-pound drag winch as shown or with dual 35,000-pound drag winches to provide the operator with up to six winches on his Century 1060S or 1075S Rotator.



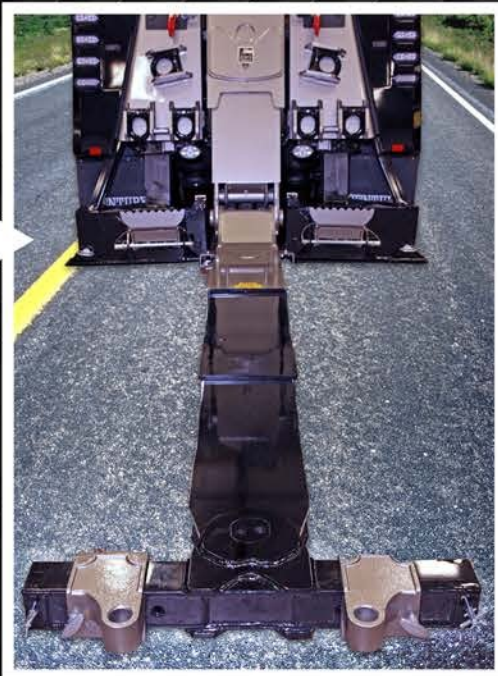
Winches



With the recovery boom rotated 90 degrees, the winch buckets are designed so they don't protrude past the side of the body, allowing you to work in tight conditions and not impede traffic lanes.

The low profile of the optional front H-Beam outriggers allows you to position the outrigger legs in areas with minimal clearance such as under guardrails. This helps to minimize lane closures and also allows you to bring a load closer to the side of your unit at lower lift heights.

The SDU-4 is available with the optional Low Rider stinger, which has a lift capacity of 18,000 pounds at its fully extended reach of 165 1/2 inches. This low-profile fabricated design improves clearance between the underlift and the towed vehicle by as much as 30 percent, making it ideal for towing transit buses or motor coaches.



The HHU underlift, available with the optional rear H-Beam outriggers, provides 130 inches of reach (or 138 inches when ordered with the Low Rider option). Both the HHU and SDU-4 underlifts work completely independent of the recovery boom.

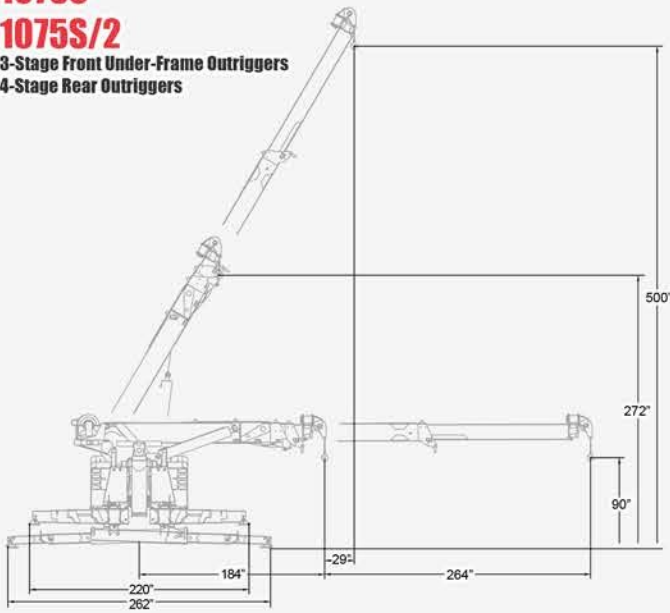


The sheave heads for the optional drag winches on the HHU are offset rather than centered as on the SDU4.

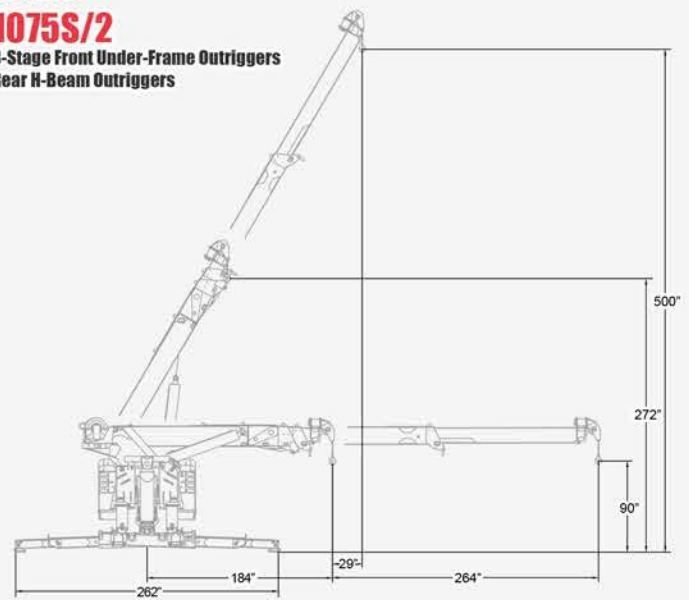
Underlifts

1075S**1075S/2**

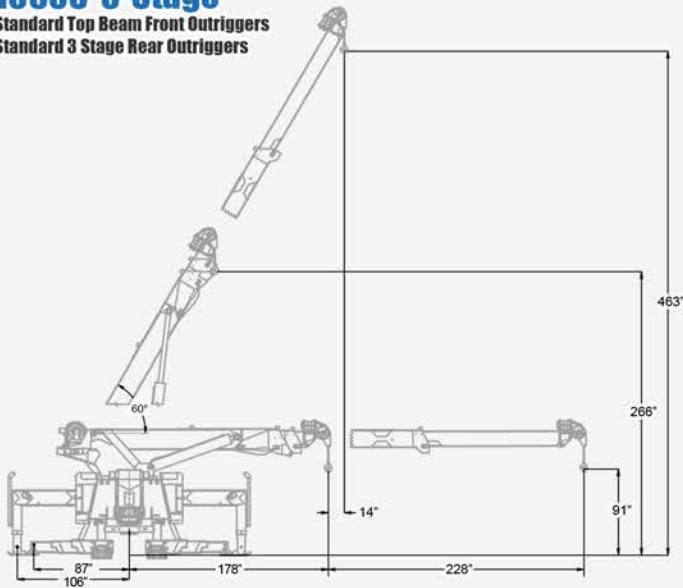
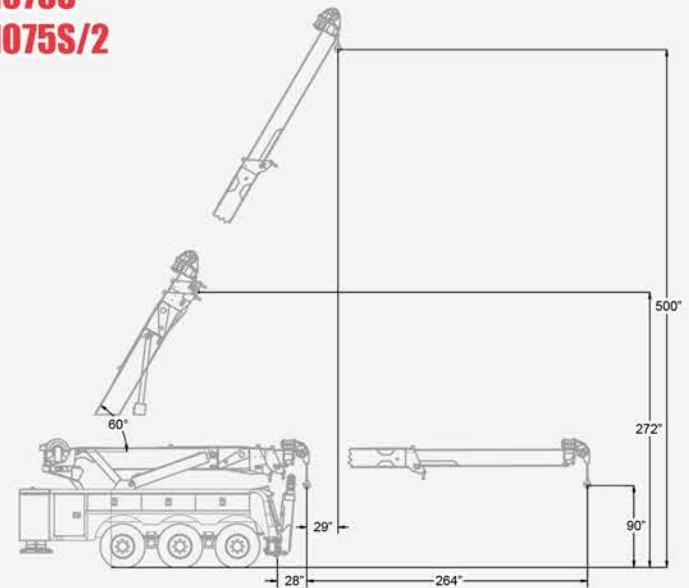
3-Stage Front Under-Frame Outriggers
4-Stage Rear Outriggers

**1075S****1075S/2**

3-Stage Front Under-Frame Outriggers
Rear H-Beam Outriggers

**1060S 3-Stage**

Standard Top Beam Front Outriggers
Standard 3 Stage Rear Outriggers

**1075S****1075S/2****Boom Specifications**

Boom Structural Rating (S.A.E)

	1060S 3-Stage	1075S/2 3-Stage	1075S 3-Stage
Retracted 30°	120,000 lbs.	150,000 lbs.	150,000 lbs.
Extended 30°	24,000 lbs.	36,000 lbs.	36,000 lbs.
Maximum Angle	60°	60°	60°
Maximum Hook Height	463"	500"	500"
Reach Past Tailboard at Min. Boom Angle	249"	292"	292"

Winch Specifications

	1060S	1075S/2	1075S
Winch Capacity	(2) 50,000 lbs.	(2) 50,000 lbs.	(2) 60,000 lbs.
Winch Type	Planetary 2-Speed	Planetary 2-Speed	Planetary 2-Speed
Cable Specs. 6x37 I.W.R.C	3/4" x 250'	3/4" x 250'	7/8" x 250'
Air Cable Tensioners	Standard	Standard	Standard

Drag and Auxiliary Winch Specifications

	1060S	1075S/2	1075S
Winch Capacity	50,000 lbs.	Dual 35,000 lbs.	Turret-Mounted Dual 22,000 lbs.
Winch Type	Planetary 2-Speed	Planetary 2-Speed	Planetary
Cable Specs. 6x37 I.W.R.C	3/4" x 250'	5/8" x 200'	5/8" x 200'
Cable Tensioners	Air	Air	Spring

Underlift Specifications

Underlift Specifications	Capacity Fully Extended to C.L. Forks	Capacity Fully Retracted to C.L. Forks	Under-lift Tilt
SDU-4	17,000 lbs. @ 143.5"	55,000 lbs. @ 54"	10° + 10° -
Low Rider	18,000 lbs. @ 165.5"	55,000 lbs. @ 66"	10° + 7° -

*Tire lift increases reach 12" to 16" to C.L. of tire lift arm.

Recommended Minimum* Chassis Specifications

Front Axle (lbs.)	Rear Axle (lbs.)	Clear C.A. / C.B.	After Frame from Center of Rear Axle	R.B.M. (in./lbs.)
20,000	46,000	180"	40"	4,000,000

*All Recommendations are minimums, heavier specifications may be required depending on chassis and equipment weight, always consult your local distributor or the factory for additional information.

- ▶ The outside frame rails of chassis extending behind the cab must be free of fuel tanks, air tanks, battery boxes, etc.
- ▶ A tandem chassis may be used but a tri-axle is recommended for rotator applications. Maximum frame height for units equipped with the SDU-4 underlift is 42". Always consult your local distributor or the factory for additional information.

Standard Body Features

- ▶ 96" Wide Aluminum Modular Body
- ▶ 180" C.B.
- ▶ Large Forward Compartments
- ▶ Compartments Over the Wheel Well
- ▶ Double Panel Doors
- ▶ Door Checks
- ▶ Double Action Latches with Keys and Power Locks
- ▶ LED Federal #108 Lighting
- ▶ LED Toolbox Lighting
- ▶ Rubber Fenderettes
- ▶ Mud Flaps
- ▶ Chain Rack
- ▶ Fork Holders
- ▶ Attachment Storage
- ▶ Rubber Isolators
- ▶ Rigid Torsional Resistant Mounting Frame
- ▶ Tailboard Mounted D-Rings
- ▶ Two Rear Outrigger Spade Attachments with "D" Rings

Standard Features

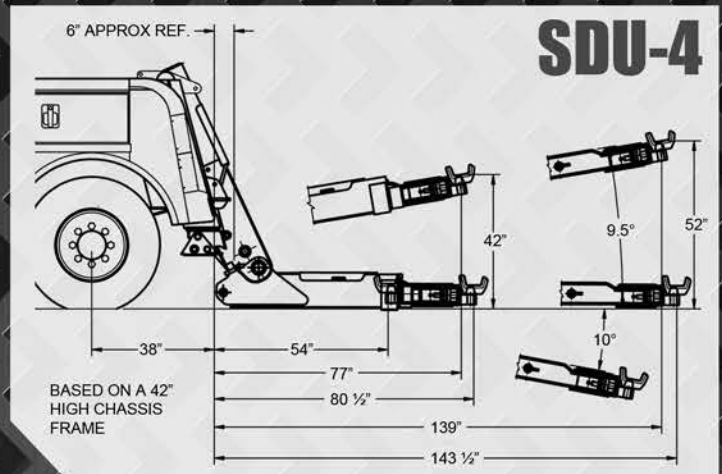
- ▶ Power Elevation
- ▶ 360° Continuous Boom Rotation
- ▶ Proportional 2 Stage Power Boom Extension with Counter Balance Valve
- ▶ Hydraulic Reservoir with an Oil Level Sight Gauge, Tank Drain, and Access Panel
- ▶ Nylatron Boom Slide Pads
- ▶ Holding Valves for Boom Elevation & Extension
- ▶ Dual 2-Speed Winches
- ▶ Cable Tensioners
- ▶ Winch Air Free Spool
- ▶ House Lock Window (Driver Side)
- ▶ Boom Angle Indicator
- ▶ Hydraulic Rear Outriggers with Removable Pads
- ▶ Hydraulic Front Top Beam Outriggers
- ▶ Air Activated House Lock, Secures Boom for Transport in Rear or Forward Position
- ▶ House Lock Indicator
- ▶ Hydraulic Pump
- ▶ 360° Sheave Heads
- ▶ Dual Control Stations
- ▶ Hydraulic Pressure Gauges (Driver Side)
- ▶ 8 Function Wireless Controller and 9 Function Floor Mounted Switch Panel
- ▶ 2 "D" Rings Mounted on 1st, 2nd and 3rd Stage

Standard Underlift Features

- ▶ Power Elevation
- ▶ Power Extension
- ▶ Power Tilt
- ▶ Hydraulic Fold
- ▶ 3-Stage Design
- ▶ 2 Piece Pivot Pin
- ▶ Upper/Lower Thrust Washer
- ▶ Low Profile Crossbar
- ▶ 70° Pivoting Crossbar
- ▶ Low Profile Fork Holders
- ▶ 8 Pairs of Cast Steel Forks
- ▶ 1 Pair of Spring Lift Adapters
- ▶ 1 Pair of Hook Adapters
- ▶ Safety Chains In Tailboard

Optional Features

- ▶ Low Rider Underlift
- ▶ Front Outrigger Side Pull Attachment
- ▶ Chain Package
- ▶ Endless Loop Sling Package
- ▶ Alloy Foundry Hooks
- ▶ Alloy Shackles
- ▶ Alloy Snatch Blocks
- ▶ Spreader Bar
- ▶ Tailboard Cable Tiebacks
- ▶ Engine Data Information Center
- ▶ Rear Cameras & Monitor
- ▶ Navigation System
- ▶ Rear Air & Electrical Hook-ups
- ▶ Air Shift PTO
- ▶ 24", 30", 36", or 48" Saddle Tunnel Box
- ▶ Convenience Group (Rails & Steps)
- ▶ Turret-Mounted "D" Rings
- ▶ Single or Dual Drag Winches
- ▶ Dual 22k Turret Mounted Winches
- ▶ Pintle Hook Attachment
- ▶ 5th Wheel Plate (Requires Pintle Hook Attachment)
- ▶ Trailer Ball Adapter (Requires Pintle Hook Attachment)
- ▶ Heavy-Duty Tire Lift
- ▶ XHD Tire Lift (25k Capacity)
- ▶ Tire Lift Storage System
- ▶ Offset Fork Holder Extensions
- ▶ Fork Riser Brackets
- ▶ Chain Hook Slide Adapter
- ▶ Additional Lift Forks
- ▶ Front Mounted 3 Stage H-Beam Outriggers (262" stance)
- ▶ Front Mounted 2 Stage H-Beam Outriggers (212" stance)
- ▶ Rear 4 Stage Outriggers (220" stance)
- ▶ Dual H-Beam Outriggers (262" stance)
- ▶ Aluminum Dress-Up Kits
- ▶ Winch Bucket Mounted Aluminum Tubular Pylon
- ▶ Manual Override Control for PTO
- ▶ Tailboard Underlift Controls
- ▶ Mvec system Includes 8-Function Wireless Controller, Front & Rear Function Switch Panels
- ▶ Radio Proportional Controls with Single Manual Controls (Drivers Side)
- ▶ Radio Proportional Controls with Dual Manual Controls
- ▶ 4-Drawer Tool Box
- ▶ 3-Drawer Tool Box
- ▶ Folding Wash-down Sink
- ▶ Light Bar
- ▶ Flasher Kit
- ▶ Xenon Boom Lights
- ▶ Halogen Work & Hook-Up Lighting
- ▶ Wide Load Light Bar
- ▶ Docking Lights
- ▶ LED Shelf Lights
- ▶ LED Body Strip Lights
- ▶ Additional Lighting
- ▶ Installation



All ratings are based on structural factors only, not vehicle capacities or capabilities. Specifications shown are approximations and may vary depending on chassis selected. Miller Industries Towing Equipment Inc. reserves the right to change or modify product and or specifications without notice or obligation. Some equipment shown is optional.



©2010 Miller Industries Towing Equipment Inc. All Rights Reserved.

8503 Hilltop Drive
Ooltewah, TN 37363
800-292-0330 / 423-238-5371
www.MillerInd.com

Distributed by: