

# CENTURY<sup>®</sup>



## 1075S - 75 Ton Rotator



*Some Equipment Shown is Optional*

- *Dual 60,000 lb. Planetary 2-Speed Winches*
- *360° Continuous Boom Rotation*
- *3-Stage Recovery Boom*
- *Wide Variety of Outrigger and Underlift Options*
- *Optional Drag and Turret Winches*



# CENTURY®

# 1075S

## 75-Ton Rotator

### PROPORTIONAL CONTROLS



Driver side control station features a user-friendly layout with an optional wireless remote to allow you to move to an optimal vantage point.

### PATENTED RAPTOR PKG. OPTION



Raptor Control Station

The operator can easily maneuver through operations at the unit control station or on the wireless remote.

Joystick controllers operate boom and winch functions and a display screen offers a variety of information including load sensing and other electrical functions.



Optional 4 or 7 Drawer Tool Box



Optional Chain Rack Carousel

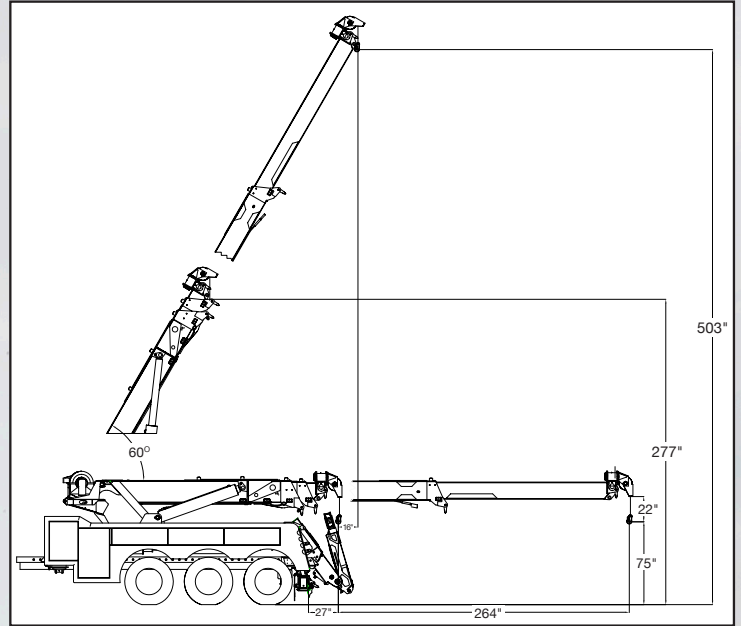
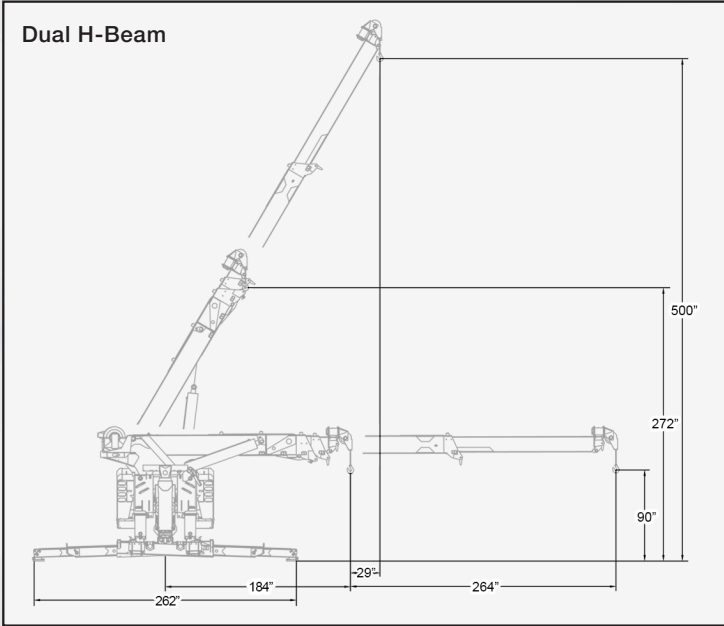


180" Body Option



Multiple Saddle Box Configuration

# Power + Versatility = Performance



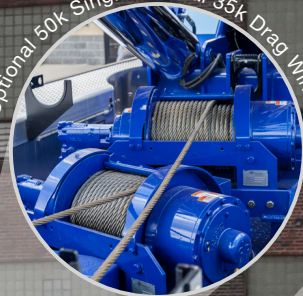
Reach



Optional Dual 22k Turret Winches



Optional 50k Single or Dual 35k Drag Winches



Optional Tailboard Underlift Controls (Std. w/Raptor Pkg.)



Some equipment shown is optional.

Optional H-Beam Outrigger with 262" Stance



## Standard Body Features

- 96" Wide Aluminum Modular Body
- 180" C.B.
- Large Forward Compartments
- Compartments Over the Wheel Well
- Double Panel Doors
- Door Checks
- Chrome Double Action Latches w/ Remote Lock/Unlock
- LED Federal #108 Lighting
- LED Toolbox Lighting
- Rubber Fenderettes
- Mud Flaps
- Chain Rack
- Fork Holders
- Attachment Storage
- Rubber Isolators
- Rigid Torsional Resistant Mounting Frame
- Tailboard Mounted D-Rings
- Two Rear Outrigger Spade Attachments with "D" Rings
- Rear Air & Electrical Hook-ups
- Winch Bucket Mounted Aluminum Tubular Pylon

## Standard Features

- Power Elevation
- 360° Continuous Boom Rotation
- Proportional 3-Stage Power Boom Extension
- Hydraulic Reservoir with an Oil Level Sight Gauge, Tank Drain, & Access Panel
- Nylatron Boom Slide Pads
- Holding Valves for Boom Elevation & Extension
- Dual 2-Speed Winches
- Cable Tensioners
- Winch Air Free Spool
- House Lock Window (Driver Side)
- Boom Angle Indicator
- Rear 4-Stage Outriggers (220" Stance)
- Hydraulic Rear Outriggers with Removable Pads
- Front Mounted 3-Stage H-Beam Outriggers (262" Stance)
- Air Activated House Lock Secures Boom for Transport in Rear or Forward Position
- House Lock Indicator
- Hydraulic Pump
- 360° Sheave Heads
- Dual Control Stations
- Hydraulic Pressure Gauges (driver Side)
- 2 "D" Rings Mounted on 1st, 2nd, and 3rd Stage
- MMO System

## Standard Underlift Features

- Power Elevation
- Power Extension
- Power Tilt
- Hydraulic Fold
- 3-Stage Design
- 2-Piece Pivot Pin
- Upper/Lower Thrust Washer
- Low Profile Heavy Duty Crossbar
- 70° Pivoting Crossbar
- Low Profile Fork Holders
- 9 Pairs of Cast Steel Forks
- 1 Pair of Spring Lift Adapters
- 1 Pair of Hook Adapters
- Safety Chains In Tailboard
- Fork Riser Brackets

## Optional Features

- Coach Low Rider Underlift
- Raptor Package (Proportional Console Control Stations, GS Load Sensing, 2 Tailboard Underlift Switch Panels)
- Outrigger Spade Attachment(s)
- Chain Package
- Endless Loop Sling Package
- Alloy Foundry Hooks
- Alloy Shackles
- Alloy Snatch Blocks
- Spreader Bar
- Rotator "D" Ring Package
- Dual Rear Cameras & Monitor
- Air Shift PTO
- 24", 30", 36", 48" Saddle Tunnel Box
- Convenience Group (Rails & Steps)
- 50k or Dual 35k Drag Winches
- Dual 22k Turret Mounted Winches
- 4 or 7 Drawer Tool Box
- 5th Wheel Plate (Requires Pintle Hook Attachment)
- Trailer Ball Adapter (Requires Pintle Hook Attachment)
- Heavy-Duty Tire Lift
- XHD Tire Lift (25k Capacity)
- Offset Fork Holder Extensions
- Chain Hook Slide Adapter
- Additional Lift Forks
- Stainless Steel Fenderettes
- MMGO Power distribution system & Load Sensing
- Dual H-Beam Outriggers (262" Stance)
- Radio Proportional Controls with Single Manual Controls (includes backlit controls)
- Aluminum Dress-Up Kits
- Manual Override Control for PTO
- Tailboard Underlift Controls
- Backlit Controls
- Right Hand Manual Controls
- Water Tank Kit
- Pintle Hook Attachment
- Light Bar
- Flasher Kit
- Boom Scene Lights
- LED Work & Hook-Up Lighting
- Wide Load Light Bar
- LED Side & Shelf Lights
- LED Body Lighting
- Installation
- Chain Rack Carousel

## Underlift Specifications

Model	Extended Underlift	Retracted Underlift	Tilt Arc	Tow Rating
<b>SDU-4*</b>	17,000 lbs. @ 144"	55,000 lbs. @ 54"	20°	80,000 lbs.
<b>Coach Low Rider*</b>	18,000 lbs. @ 165"	55,000 lbs. @ 66"	20°	80,000 lbs.
<b>HHU</b>	15,000 lbs. @ 130"	45,000 lbs. @ 51"	20°	80,000 lbs.

\*Not available with rear H-Beam option.

## Boom Specifications

Model	Boom Structural Rating (S.A.E.)		Max Boom Angle	Maximum Hook Height (in)	Hydraulic Boom Extension (in)
	Retracted 30°	Extended 30°			
<b>1075S</b>	150,000 lbs.	36,000 lbs.	60°	500"	264"

## Recommended Minimum\* Chassis Recommendations

Model	Front Axle (lbs.)	Rear Axle (lbs.)	Clear C.A. / C.B.	After Frame from Center of Rear Axle	R.B.M. (in./lbs.)
<b>1075S</b>	Tandem-Steer / Consult Factory	46,000	180"	40"	4,000,000

\*All recommendations are minimums. Heavier specifications may be required depending on chassis and equipment weight. Always consult your distributor or the factory for additional information.

The outside frame rails of chassis extending behind the cab must be free of fuel tanks, air tanks, battery boxes, etc.

A tandem chassis may be used, but a tri-axle is recommended for rotator applications. Maximum frame height for units equipped with the SDU-4 underlift is 42". Always consult your local distributor or the factory for additional information.

# CENTURY®

## Winch Specifications

Winch	Winch Capacity	Winch Type	Cable Specifications
<b>Main</b>	(2) 60,000 lbs.	Planetary 2-Speed	7/8" x 250' I.W.R.C.
<b>Turret</b>	(2) 22,000 lbs.	Planetary Single-Speed	5/8" x 200' I.W.R.C.
<b>Single Drag</b>	50,000 lbs.	Planetary 2-Speed	3/4" x 200' I.W.R.C.
<b>Dual Drag</b>	(2) 35,000	Planetary 2-Speed	5/8" x 200' I.W.R.C.

NOTE: All ratings are based on structural factors only, not vehicle capacities or capabilities. Specifications shown are approximations and may vary depending on chassis selected. Platform rating is based on an equally distributed load. Actual payload carrying capacity is determined by the curb weight of the chassis and equipment and should not exceed the GVWR of the chassis. Miller Industries Towing Equipment Inc. reserves the right to change or modify product and/or specifications without notice or obligation. Some equipment shown is optional.