



## OWNER'S MANUAL

# V-100

## PARTS

**NOTE: MANUAL including SPECIFICATIONS, subject to change without notice.  
All ratings specified are based on structural factors only,  
not vehicle capacities or capabilities.**



Miller Industries Towing Equipment Inc.  
8503 Hilltop Drive  
Ooltewah, Tennessee 37363  
Phone (423) 238-4171 • FAX (423) 238-5371

FORM NO. 0501766  
REV. A  
08 / 2013  
PRICE \$25.00

## LIMITED WARRANTY

MILLER INDUSTRIES TOWING EQUIPMENT INC., hereinafter referred to as MILLER, warrants to the original purchaser that each new MILLER wrecker or other MILLER products will be free from defects in material and workmanship for a period of twelve (12) months from date placed in service, but in no event shall such warranty period exceed twenty-four (24) months from date of manufacture by MILLER. The purchaser must promptly notify MILLER in writing of any failure in material or workmanship. In no event shall MILLER accept such notification later than twenty-four (24) months from date of delivery or twelve (12) months from date placed in service, whichever is earlier.

MILLER's obligation under this warranty, statutory or otherwise, is limited to the repair or replacement at the MILLER factory, or at a point designated by MILLER, of such part or parts as shall appear upon inspection by MILLER to be defective in material or workmanship. New or remanufactured parts will be used for any replacement at MILLER's option. This warranty is not transferable. This warranty does not obligate MILLER to bear the cost of labor or transportation charges in connection with the repair or replacement of any parts found to be defective, nor shall it apply to a product upon which repairs or alterations have been made unless authorized by MILLER.

EXCEPT AS EXPRESSLY SET FORTH IN THIS WARRANTY, MILLER MAKES NO OTHER WARRANTY, EXPRESS OR IMPLIED, AND HEREBY DISCLAIMS ALL OTHER WARRANTIES INCLUDING, BUT NOT LIMITED TO, THE IMPLIED WARRANTIES OF MERCHANTABILITY AND FITNESS FOR A PARTICULAR PURPOSE. MILLER shall in no event be liable for claimed downtime, claimed loss of profits or goodwill, or any other special, incidental, indirect, or consequential damages concerning or relating to any product or parts, whether based on negligence, strict liability, breach of contract, breach of warranty, misrepresentation or any other legal theory, regardless of whether the loss resulted from any general or particular requirement which MILLER knew or had reason to know about at the time of sale.

MILLER MAKES NO WARRANTY, EXPRESS OR IMPLIED, AS TO THE FINISHED PRODUCTS MANUFACTURED OR SUPPLIED BY ANOTHER MANUFACTURER AND SUPPLIED BY MILLER TO PURCHASER, including, but not limited to, any vehicle to which a MILLER product may be affixed or any accessories or wire rope, and MILLER EXPRESSLY DISCLAIMS ANY IMPLIED WARRANTIES OF MERCHANTABILITY OR FITNESS FOR A PARTICULAR PURPOSE AS TO SUCH EQUIPMENT OR PRODUCTS. This language shall in no way affect or diminish the rights of the purchaser to rely on such warranties as are extended by such manufacturers or suppliers. MILLER shall, to the extent permitted under applicable law, pass on to the purchaser such manufacturer's or seller's warranty.

MILLER, whose policy is one of continuous improvement, reserves the right to improve its products through changes in design or materials as it may deem desirable without being obligated to incorporate such changes in products previously sold. This warranty is not intended to cover or include the following items, which are set forth by way of example and not limitation:

- A. Normal deterioration of trim, paint, lettering, and appearance items due to wear or exposure to weather, road conditions, road treatments, etc.
- B. Any damage or defect due to accident, misuse, abuse, improper or unauthorized repairs, failure to provide reasonable and necessary maintenance, or uses for which the equipment was not designed or intended.
- C. Alterations or modifications that affect performance, operation or reliability.
- D. Normal maintenance parts including, but not limited to, wear pads, bushings, wire rope, mud flaps, fenderettes, light bulbs, hydraulic oil, filters, and tow sling belts.

**IT IS EXPRESSLY UNDERSTOOD THAT MILLER MAKES NO IMPLIED WARRANTY THAT MILLER PRODUCTS SHALL BE FIT FOR THE PURPOSE OF LIFTING OR MOVING PEOPLE OR FOR ANY OTHER IMPROPER USE.**



Miller Industries Towing Equipment Inc.  
8503 Hilltop Drive  
Ooltewah, Tennessee 37363  
Telephone (423) 238-4171

**SERIAL NUMBER**

## **OWNER, USER AND OPERATOR:**

We appreciate your choice of our towing and recovery unit for your application. Our number one priority is user safety which is best achieved by our joint efforts. We feel that you can make a major contribution to safety if you, as the equipment owner and operator:

1. **Comply with Federal, State, and Local Regulations.**
2. **Read, Understand, and Follow the Instructions in this Manual.**
3. **Use Good, Safe Work Practices in a Common Sense Way.**
4. **Only have Authorized and Trained Personnel performing maintenance on the Towing and Recovery Unit.**

# TABLE OF CONTENTS

It is assumed by the manufacturer that the Owner/Operator has a thorough knowledge of the accepted and lawful retrieval and towing methods as dictated by his city, county or state. The manufacturer rejects any liability claim that may result from the incorrect or unlawful application of its equipment.

## Section I - PARTS

SUBFRAME ASSEMBLY .....	I-2 & I-3
LH BODY ASSEMBLY .....	I-4 & I-5
RH BODY ASSEMBLY .....	I-6 & I-7
OUTER BOOM ASSEMBLY, 2- STAGE .....	I-8 & I-9
INNER BOOM ASSEMBLY, 2- STAGE .....	I-10 & I-11
OUTER BOOM ASSEMBLY, 3-STAGE .....	I-12 & I-13
INNER BOOM ASSEMBLY, 3-STAGE .....	I-14 & I-15
3-STAGE BOOM EXTEND SYSTEM .....	I-16 & I-17
BOOM SWIVEL ASSEMBLY .....	I-18 & I-19
STANDARD STINGER ASSEMBLY .....	I-20 & I-21
CROSSBAR ASSEMBLY .....	I-22 & I-23
WINCH ASSEMBLY .....	I-24 & I-25
BOOM LIFT HYDRAULICS .....	I-26 & I-27
2-STAGE BOOM EXTEND HYDRAULICS .....	I-28 & I-29
3-STAGE BOOM EXTEND HYDRAULICS .....	I-30 & I-31
UNDERLIFT EXTEND HYDRAULICS .....	I-32 & I-33
UNDERLIFT TILT HYDRAULICS .....	I-34 & I-35
WINCH HYDRAULICS .....	I-36 & I-37
SUBFRAME HYDRAULICS .....	I-38 & I-39
HYDRAULIC TANK ASSEMBLY .....	I-40 & I-41



# TABLE OF CONTENTS (cont'd)

## Section I - PARTS

STANDARD JACKLEG ASSEMBLY .....	I-42 & I-43
JACKLEG ASSEMBLY W/ FLIPPER FEET .....	I-44 & I-45
REAR OUTRIGGER OPTION .....	I-46 & I-47
JACKLEG HYDRAULICS .....	I-48 & I-49
OUTRIGGER HYDRAULICS .....	I-50 & I-51
DUAL CONTROL ASSEMBLY .....	I-52 & I-53
LIFT ADAPTERS .....	I-54 & I-55
5X5 BUS LIFT ASSEMBLY .....	I-56 & I-57
EURO BUS LIFT ASSEMBLY .....	I-58 & I-59
PINTLE HOOK ADAPTER .....	I-60 & I-61
5TH WHEEL ADAPTER .....	I-62 & I-63
KING PIN ADAPTER .....	I-64 & I-65
AIR SYSTEM .....	I-66 & I-67

## Section II - PARTS LIST

V-100 2- STAGE BOOM W/ STD STINGER .....	II-1 thru II-11
V-100 3- STAGE BOOM W/ STD STINGER .....	II-13 thru II-24



## Section I - PARTS

This Section is provided by the manufacturer for the purpose of ordering any component part of the **Vulcan V-100** that may be required when part replacement is necessary. Be certain to use only original equipment replacement parts for warranty purposes as well as for keeping your unit in its original state and optimum operating capacities.

When ordering replacement or spare parts be sure to provide the following information to the manufacturer's **Parts Department**.

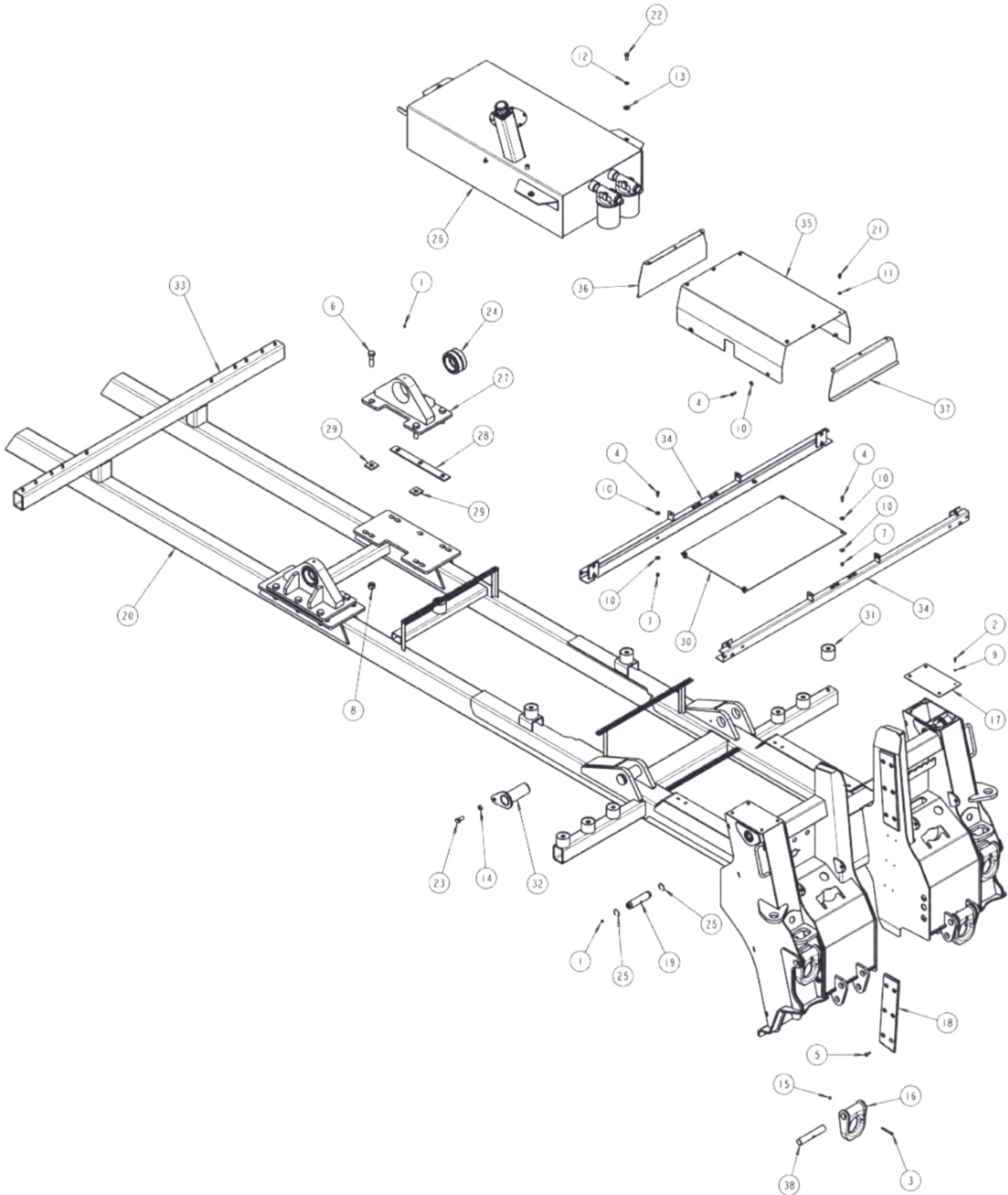
1. **Manual Number & Date of Publication**
2. **Manual Page Number**
3. **Page Title**
4. **Reference Number of Part Desired**
5. **Part Number**
6. **Part Description**
7. **Quantity of Part Desired**

Providing this information will help ensure that the correct parts will be delivered to you in an expedient manner without delay. Should additional information be required for repair or replacement of certain components, contact your Wrecker Manufacturer Authorized Representative.

The Manufacturer reserves the right, without notice or obligation, to improve or modify their products, which may change the specifications, models and feature availability.

# Section I - PARTS (cont'd)

## SUBFRAME ASSEMBLY





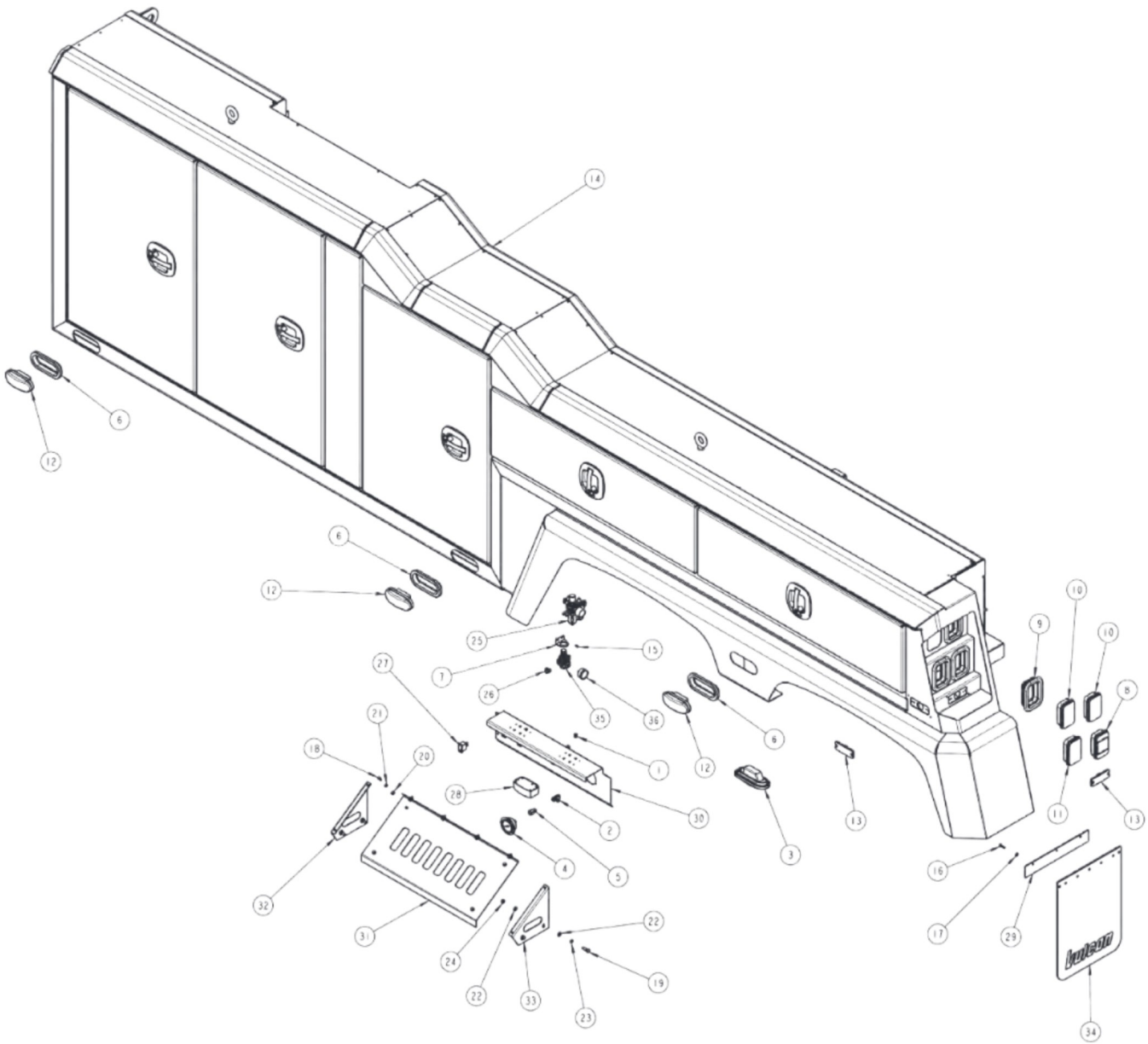
## Section I - PARTS (cont'd)

### SUBFRAME ASSEMBLY

ITEM	PART NUMBER	DESCRIPTION	QTY
1	0301895	GREASE FITTING, 1/8 NPT STRAIGHT	4
2	0400066	1/4-20 X 3/4 HHCS GR.5,ZP	8
3	0400114	5/16-18 x 3 HHCS GR 5 ZP	4
4	0400126	3/8-16 X 1 HHCS GR.5,ZP	12
5	0400128	3/8-16X1.25 FLAT HD SOC	24
6	0400306	7/8-9 x 3 HHCS GR. 8 GOLD	10
7	0400392	3/8-16 NYLOCK HEX NUT ZP	8
8	0400437	7/8-9 NYLOCK HEX NUT GR.8 ZP	10
9	0400452	1/4 HELICAL LOCK WASHER ZP	8
10	0400480	3/8 FLAT WASHER ZP	20
11	0400482	3/8 HELICAL LOCK WASHER ZP	6
12	0400491	1/2 HELICAL LOCK WASHER ZP	3
13	0400492	1/2 FLAT WASHER ZP	3
14	0400508	5/8 HELICAL LOCK WASHER ZP	2
15	0400776	5/16-18 HEX NUT JAM NYLOK	4
16	0719585	"D" RING - TOWING	4
17	0724349	PLATE - SPADE COVER	2
18	0724476	NYLATRON PAD	4
19	0724499	PIN, UPPER JACK LEG CYLINDER	2
20	0807731	SUBFRAME WELDMENT	1
21	9041202	3/8-16 x 5/8 PL GR8	6
22	9041402	1/2-13NC X 1 1/4 HHCS, ZP,GR.8	5
23	9043950	5/8-11x1-1/2	2
24	9053041	BEARING, SPHERICAL TORRIN	2
25	9054150	SNAP RING, 1-1/4" NOM INTERNAL	4
26	915780000	HYDRAULIC TANK ASSY	1
27	930202500	PIVOT BLOCK WELD'T	2
28	930202504	TIE PLATE	2
29	930202505	WASHER PLATE	4
30	930400009	PLATE- BOTTOM	1
31	9402970	TOOLBOX MTG. PAD	9
32	945351500	PIN WELDMENT - LOWER LIFT CYL	2
33	946210500	FRONT MTG. TUBE WELD'T	1
34	946400600	CHANNEL WELD'T	2
35	946402501	TOP PANEL - D.C.V. COVER ASSY	1
36	946402600	REAR PANEL WELDMENT	1
37	946402700	FRONT PANEL WELDMENT	1
38	GA0215	PIN, D RING	4

# Section I - PARTS (cont'd)

## LH BODY ASSEMBLY



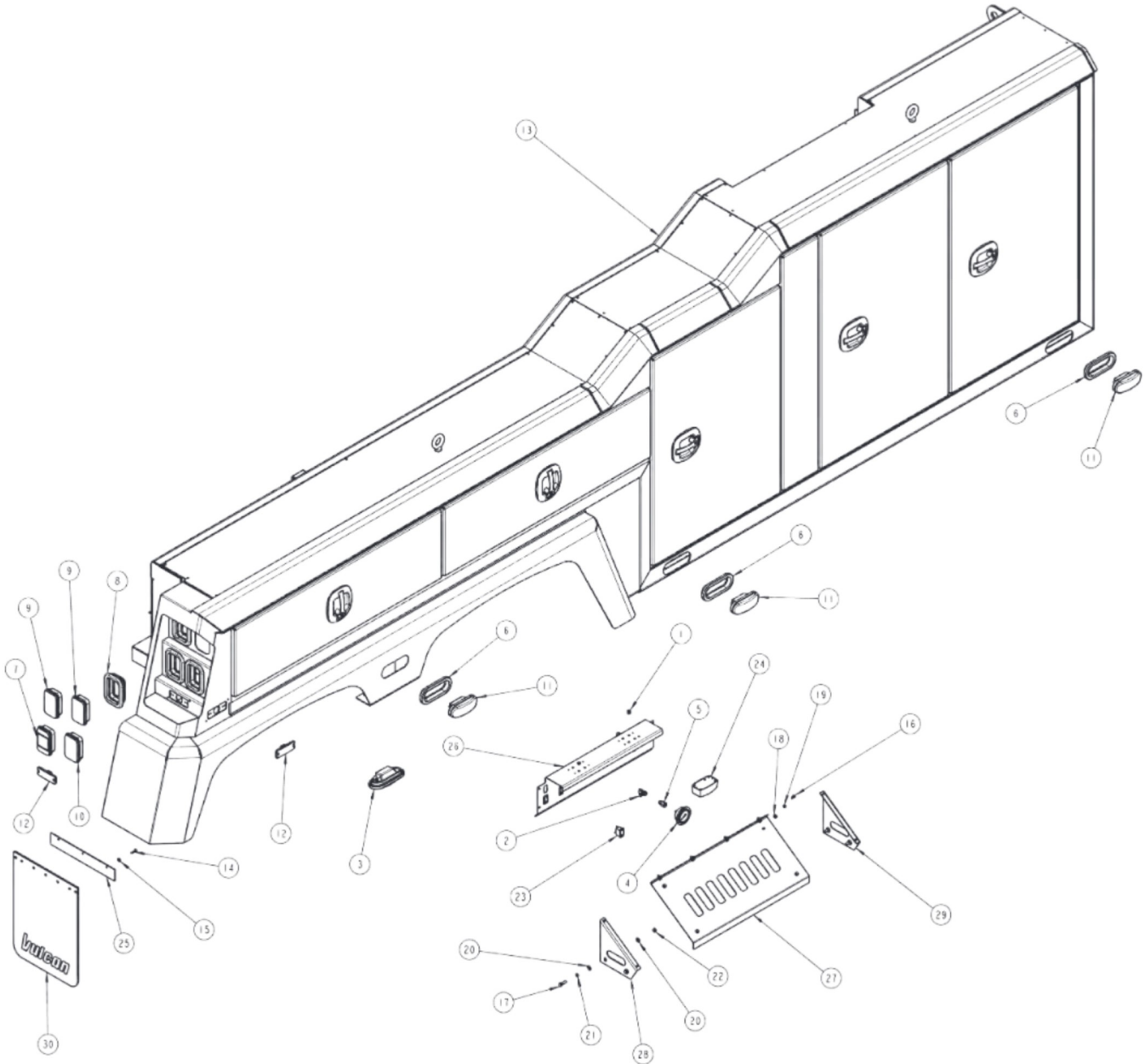
## Section I - PARTS (cont'd)

### LH BODY ASSEMBLY

ITEM	PART NUMBER	DESCRIPTION	QTY
1	0300117	GROMMET RUBBER	2
2	0301696	ELBOW, 6MJ-6FJX90	2
3	0302201	BACKUP LIGHT W/ GROMMET & PLUG	1
4	0302205	GAUGE, FLUSH MOUNT 6000 PSI	2
5	0302577	CONNECTOR, 6MJ-4FP	2
6	0303128	GROMMET, TAIL LIGHT	3
7	0303365	BRKT- MOUNTING	1
8	0306684	LIGHT, BACKUP	1
9	0306685	GROMMET, LED LIGHT 45 STT	4
10	0307215	LED LIGHT, RED 45 STT	2
11	0307216	LED LIGHT, AMBER 45 REAR TURN	1
12	0307220	LIGHT OVAL AMBER 60 LED	3
13	0307538	LIGHT, MRKR-RED LED 4.5 X 1.63	2
14	0311016	2010 VULCAN AL. BODY 180CB	1
15	0400021	#8-32 X .5 FLAT HEAD PHILLIPS S.S.	4
16	0400070	1/4-20 X 1 HHCS GR5 ZP	3
17	0400451	1/4 FLAT WASHER ZP	3
18	0402020	1/4-20 X 3/4 HHCS SS	8
19	0402043	3/8-16 X 1-1/4 HHCS SS	4
20	0402110	1/4 FLATWASHER 316 STAINLESS	8
21	0402111	1/4 LOCKWASHER 316 STAINLESS	8
22	0402120	3/8 FLATWASHER 316 SS	8
23	0402121	3/8 LOCKWASHER 316 STAINLESS	4
24	0402122	HEX NUT 316 STAINLESS	4
25	0909085	KIT,AIR FLR/REG/LUBE COMBO 1/4	1
26	9010520	FITTING - ELBOW,1/4T-1/4NPT MALE	2
27	9024041	MCGILL SWITCH	4
28	9025049	INT. COMPARTMENT LIGHT W/ SWITCH	2
29	920400005	MUD FLAP BRACE PLATE	1
30	942480003	D.C.V. UPPER PANEL	1
31	942480200	D.C.V. LOWER PANEL WELDMENT	1
32	942480300	LH MTG ANGLE WELDMENT	1
33	942487300	RH MTG ANGLE WELDMENT	1
34	94320052	MUDFLAP	1
35	HA0131	AIR FILTER / REGULATOR COMBO	1
36	HA0132	GAUGE- AIRFILTER/REGULATOR	1

Section I - PARTS (cont'd)

RH BODY ASSEMBLY





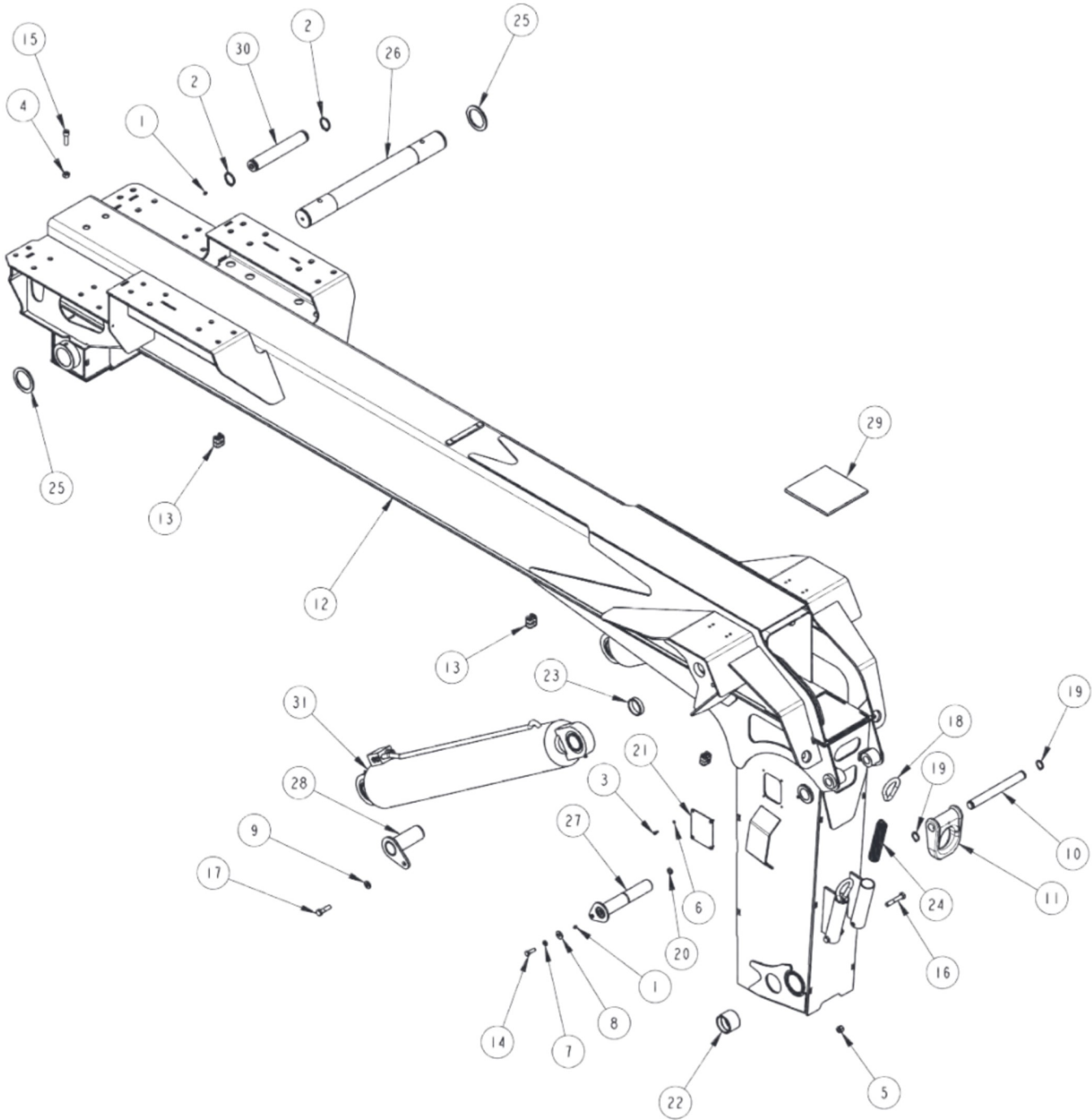
## Section I - PARTS (cont'd)

### RH BODY ASSEMBLY

ITEM	PART NUMBER	DESCRIPTION	QTY
1	0300117	GROMMET RUBBER	2
2	0301696	ELBOW, 6MJ-6FJX90	2
3	0302201	BACKUP LIGHT W/ GROMMET & PLUG	1
4	0302205	GAUGE, FLUSH MOUNT 6000 PSI	2
5	0302577	CONNECTOR, 6MJ-4FP	2
6	0303128	GROMMET, TAIL LIGHT	3
7	0306684	LIGHT, BACKUP	1
8	0306685	GROMMET, LED LIGHT 45 STT	4
9	0307215	LED LIGHT, RED 45 STT	2
10	0307216	LED LIGHT, AMBER 45 REAR TURN	1
11	0307220	LIGHT OVAL AMBER 60 LED	3
12	0307538	LIGHT, MRKR-RED LED 4.5 X 1.63	2
13	0311017	2010 VULCAN AL. BODY 180CB	1
14	0400070	1/4-20 X 1 HHCS GR5 ZP	3
15	0400451	1/4 FLAT WASHER ZP	3
16	0402020	1/4-20 X 3/4 HHCS SS	8
17	0402043	3/8-16 X 1-1/4 HHCS SS	4
18	0402110	1/4 FLATWASHER 316 STAINLESS	8
19	0402111	1/4 LOCKWASHER 316 STAINLESS	8
20	0402120	3/8 FLATWASHER 316 SS	8
21	0402121	3/8 LOCKWASHER 316 STAINLESS	4
22	0402122	HEX NUT 316 STAINLESS	4
23	9024041	MCGILL SWITCH	4
24	9025049	INT. COMPARTMENT LIGHT W/ SWITCH	2
25	920400005	MUD FLAP BRACE PLATE	1
26	942480003	D.C.V. UPPER PANEL	1
27	942480200	D.C.V. LOWER PANEL WELDMENT	1
28	942480300	LH MTG ANGLE WELDMENT	1
29	942487300	RH MTG ANGLE WELDMENT	1
30	94320052	MUDFLAP	1

**Section I - PARTS (cont'd)**

**OUTER BOOM ASSEMBLY - 2 STAGE**

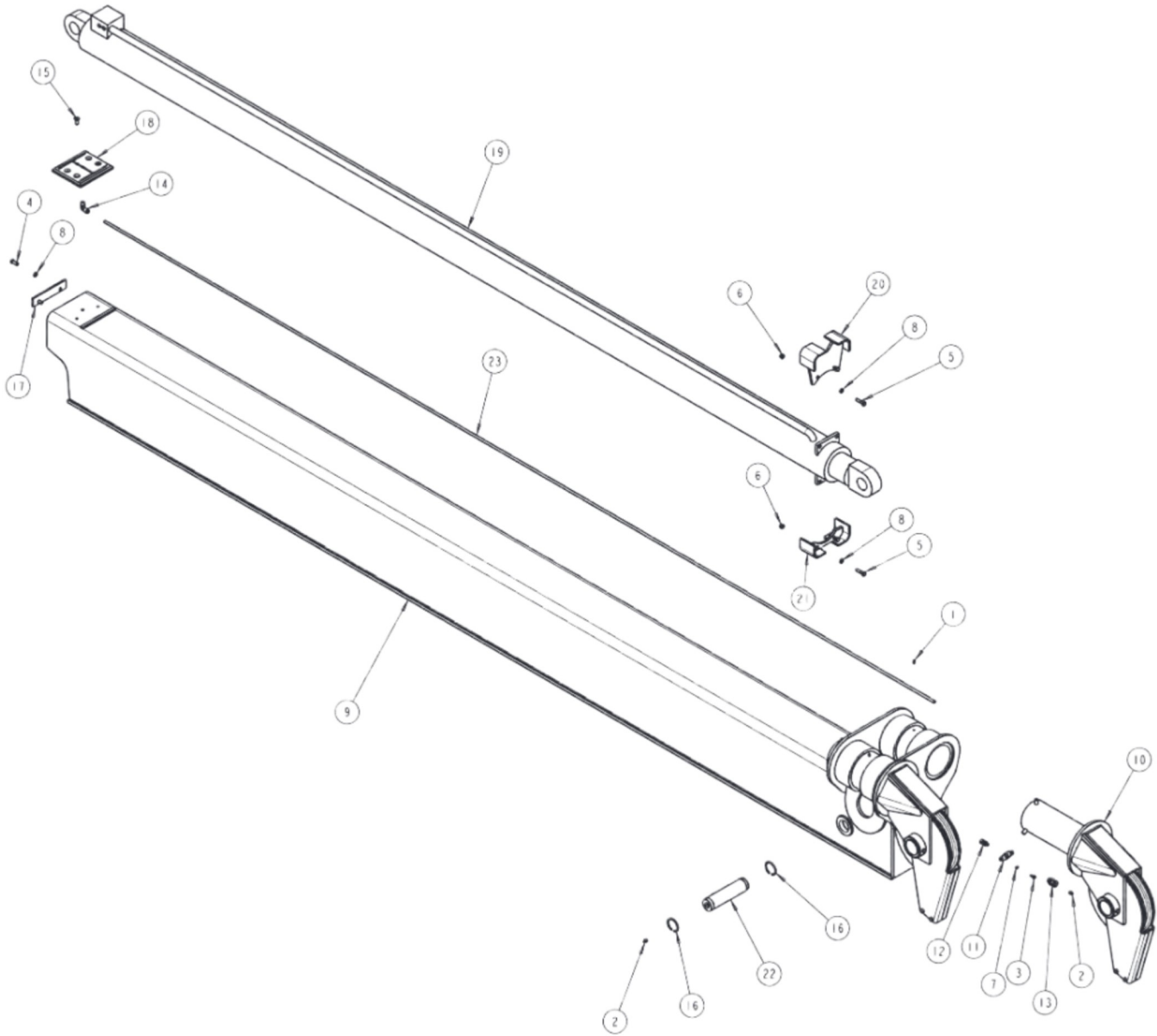


## Section I - PARTS (cont'd)

### OUTER BOOM ASSEMBLY - 2 STAGE

ITEM	PART NUMBER	DESCRIPTION	QTY
1	0301895	GREASE FITTING, 1/8 NPT STRAIGHT	2
2	0302776	SNAP RING - EXTERNAL 2"	2
3	0400059	1/4-20 x 5/8 HHCS GR 5 ZP	4
4	0400424	5/8-18 HEX NUT ZP	2
5	0400426	5/8-11 NYLOCK NUT GR.8 ZP	2
6	0400452	1/4 HELICAL LOCK WASHER ZP	4
7	0400491	1/2 HELICAL LOCK WASHER ZP	1
8	0400492	1/2 FLAT WASHER ZP	1
9	0400505	5/8 FLAT WASHER SAE	2
10	0715517	PIN - "D" RING OUTER BOOM WELDMENT	1
11	0719585	"D" RING - TOWING	1
12	0810006	OUTER BOOM WLMT (V-100)	1
13	9018255	1/2 TUBE CLAMP FM2127-PP	12
14	9041403	1/2-13 x 1-1/2 HHCS GR 8 ZP	1
15	9043605	SCREW, 5/8"-11 X 4-1/2" SKT HD CAP	2
16	9043975	5/8-11 x 3-1/2 UNC HHCS GR 8	2
17	9044409	5/8-11 x 2-1/4 HHCS GR8 ZP	2
18	9048800	5/8 WELDLESS CHAIN LINK	2
19	9056137	SNAP RING, 2-1/4"	2
20	920255003	SPACER - LOCK PIN WELD'T	1
21	930290002	COVER PLATE	1
22	9400004	BRONZE BUSHING	2
23	945020001	WASHER PLATE, LOWER LIFT CYLINDER	2
24	945030007	SPRING - HOSE TENSIONER	2
25	945040001	MAIN BOOM PIVOT	2
26	945350001	PIVOT PIN, MAIN BOOM TO SUBFRAME	1
27	945350500	PIN WELD'T-TILT CLY UPPER	1
28	945351500	PIN WELDMENT - LOWER LIFT CYL	2
29	946030005	LOWER WEAR PAD-RECOVERY	1
30	946350001	PIN MAIN BOOM EXT CYL FRONT	1
31	946700000	CYLINDER ASSEMBLY	2

**Section I - PARTS (cont'd)**  
**INNER BOOM ASSEMBLY - 2 STAGE**





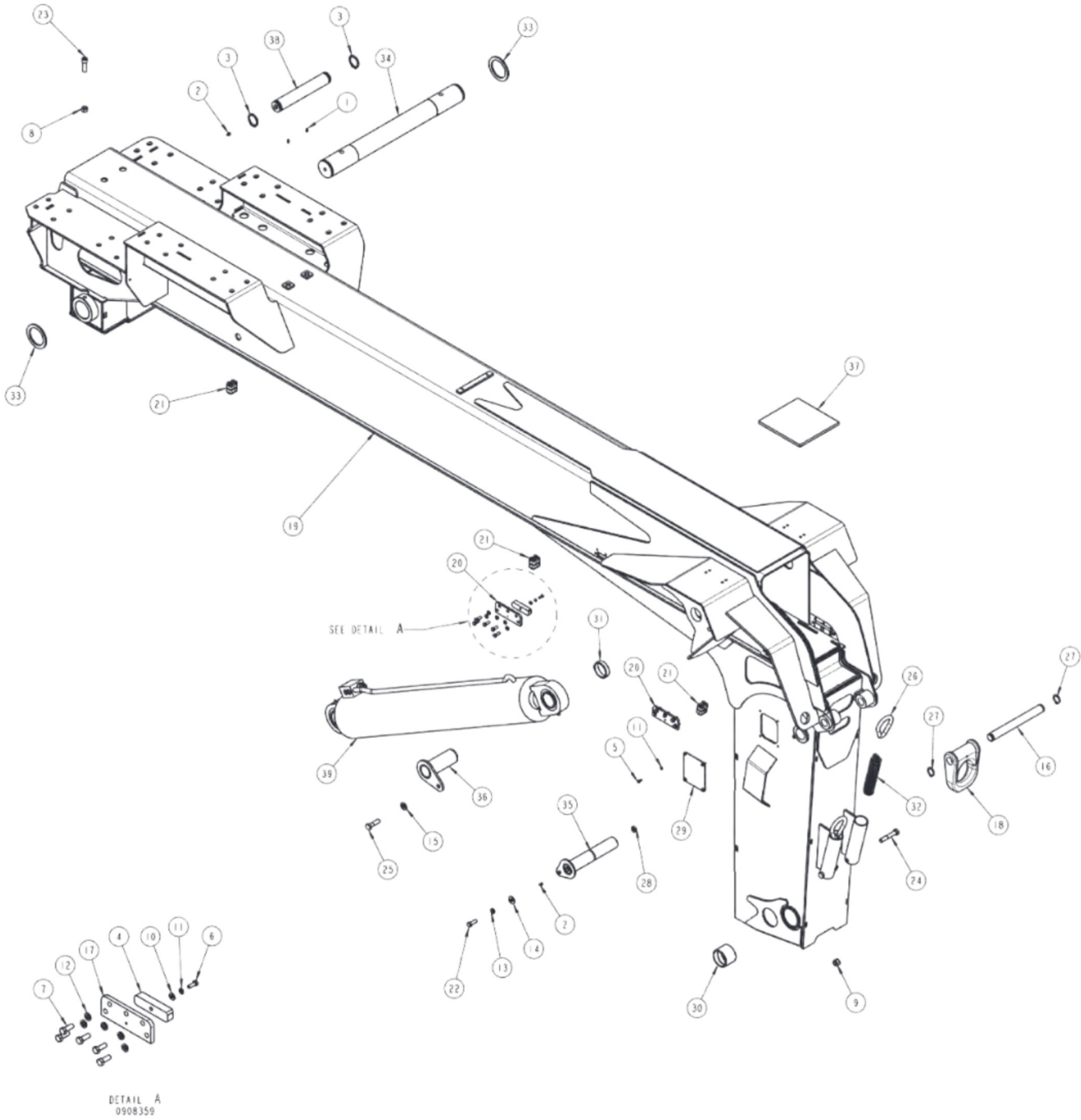
## Section I - PARTS (cont'd)

### INNER BOOM ASSEMBLY - 2 STAGE

ITEM	PART NUMBER	DESCRIPTION	QTY
1	0300113	GREASE FITTING, 1/4-28 STRAIGHT SS	2
2	0301895	GREASE FITTING, 1/8 NPT STRAIGHT	2
3	0400059	1/4-20 x 5/8 HHCS GR 5 ZP	2
4	0400126	3/8-16 X 1 HHCS GR.5,ZP	2
5	0400132	3/8-16 X 1 1/2 HHCS GR.5 ZP	4
6	0400392	3/8-16 NYLOCK HEX NUT ZP	4
7	0400452	1/4 HELICAL LOCK WASHER ZP	2
8	0400482	3/8 HELICAL LOCK WASHER ZP	6
9	0806863	INNER BOOM WELD'T	1
10	0908424	SWIVEL ASSEMBLY	2
11	3012-793001	PLATE - LUBE MTG	1
12	9012549	CONNECTOR, 3/8 TUBE X 1/8 NPT	1
13	9012552	BULKHEAD COUPLING, 1/8	1
14	9012584	ELBOW, 1/4 NPT X 3/8 TUBE 90	1
15	9044434	3/8-16X1 NC FLAT	2
16	9054200	INTERNAL RETAINING RING 2H	2
17	945030001	PAD RETAINING PLATE - UPPER	1
18	945030004	UPPER WEAR PAD - RECOVERY	1
19	945710000	RECOVERY BOOM EXTENSION CYLINDER	1
20	946032000	TOP SPIDER CLAMP WELDMENT	1
21	946032500	BOTTOM SPIDER CLAMP WELDMENT	1
22	946350002	PIN-MAIN BOOM EXT	1
23	0301949	3/8" OD AIRLINE, SYNDFLEX	1

# Section I - PARTS (cont'd)

## OUTER BOOM ASSEMBLY - 3 STAGE



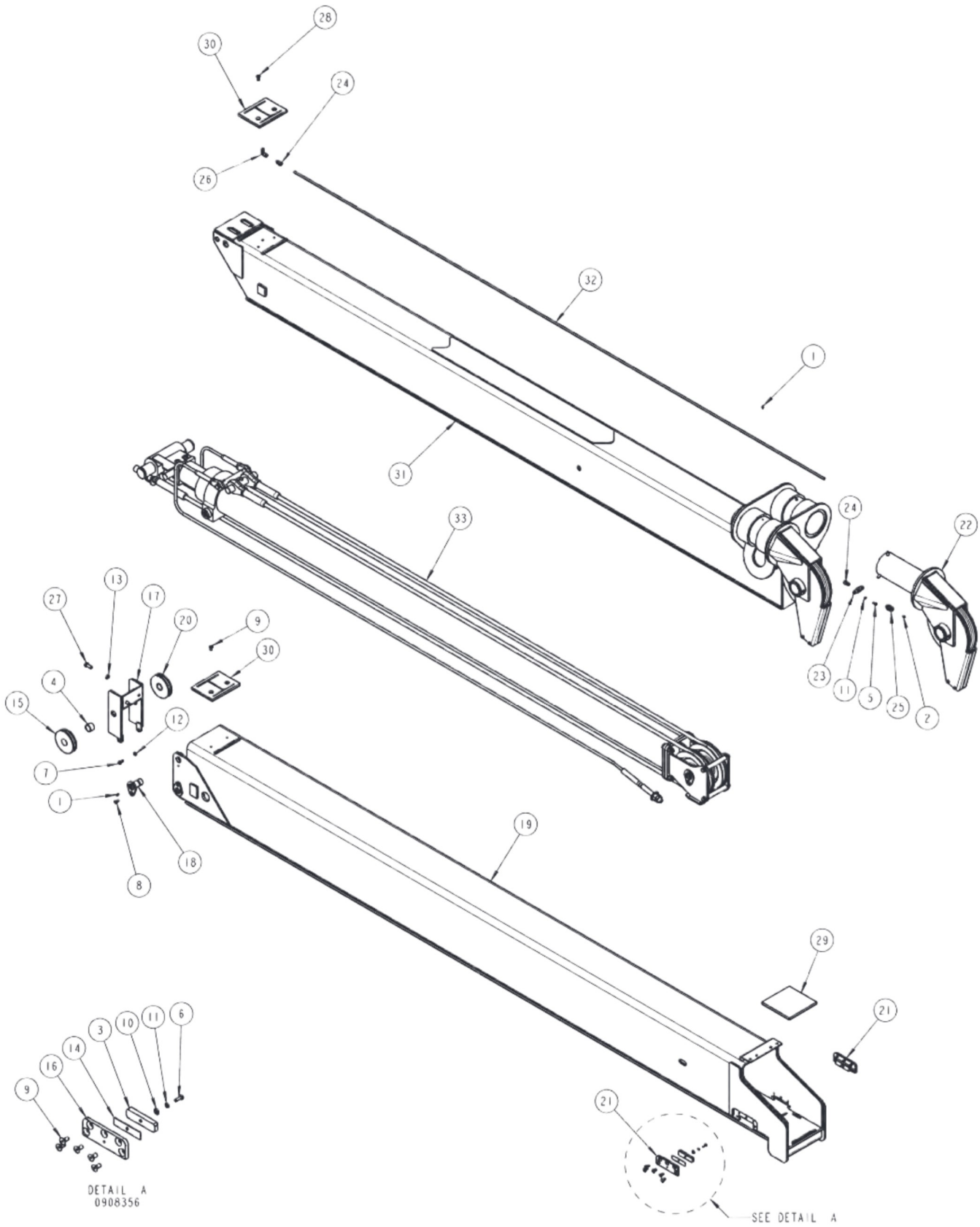
## Section I - PARTS (cont'd)

### OUTER BOOM ASSEMBLY - 3 STAGE

ITEM	PART NUMBER	DESCRIPTION	QTY
1	0300113	GREASE FITTING, 1/4-28 STRAIGHT SS	2
2	0301895	GREASE FITTING, 1/8 NPT STRAIGHT	2
3	0302776	SNAP RING - EXTERNAL 2"	2
4	0306825	PAD - WEAR	4
5	0400059	1/4-20 x 5/8 HHCS GR 5 ZP	8
6	0400066	1/4-20 X 3/4 HHCS GR.5,ZP	4
7	0400126	3/8-16 X 1 HHCS GR.5,ZP	20
8	0400424	5/8-18 HEX NUT ZP	2
9	0400426	5/8-11 NYLOCK NUT GR.8 ZP	2
10	0400451	1/4 FLAT WASHER ZP	4
11	0400452	1/4 HELICAL LOCK WASHER ZP	12
12	0400482	3/8 HELICAL LOCK WASHER ZP	20
13	0400491	1/2 HELICAL LOCK WASHER ZP	1
14	0400492	1/2 FLAT WASHER ZP	1
15	0400505	5/8 FLAT WASHER SAE	2
16	0715517	PIN - "D" RING OUTER BOOM WELDMENT	1
17	0717746	PLATE - SLIDE PAD SUPPORT	4
18	0719585	"D" RING - TOWING	1
19	0807971	OUTER BOOM WLMT (V-100)	1
20	0908359	SLIDE PAD ASSEMBLY	4
21	9018255	1/2 TUBE CLAMP FM2127-PP	12
22	9041403	1/2-13 x 1-1/2 HHCS GR 8 ZP	1
23	9043605	SCREW, 5/8"-11 X 4-1/2" SKT HD CAP	2
24	9043975	5/8-11 x 3-1/2 UNC HHCS GR 8	2
25	9044409	5/8-11 x 2-1/4 HHCS GR8 ZP	2
26	9048800	5/8 WELDLESS CHAIN LINK	2
27	9056137	SNAP RING, 2-1/4"	2
28	920255003	SPACER - LOCK PIN WELD'T	1
29	930290002	COVER PLATE	2
30	9400004	BRONZE BUSHING	2
31	945020001	WASHER PLATE, LOWER LIFT CYLINDER	2
32	945030007	SPRING - HOSE TENSIONER	2
33	945040001	MAIN BOOM PIVOT	2
34	945350001	PIVOT PIN, MAIN BOOM TO SUBFRAME	1
35	945350500	PIN WELD'T-TILT CLY UPPER	1
36	945351500	PIN WELDMENT - LOWER LIFT CYL	2
37	946030005	LOWER WEAR PAD-RECOVERY	1
38	946350001	PIN MAIN BOOM EXT CYL FRONT	1
39	946700000	CYLINDER ASSEMBLY	2
40	946750000	TILT CYLINDER	1

# Section I - PARTS (cont'd)

## INNER BOOM ASSEMBLY - 3 STAGE



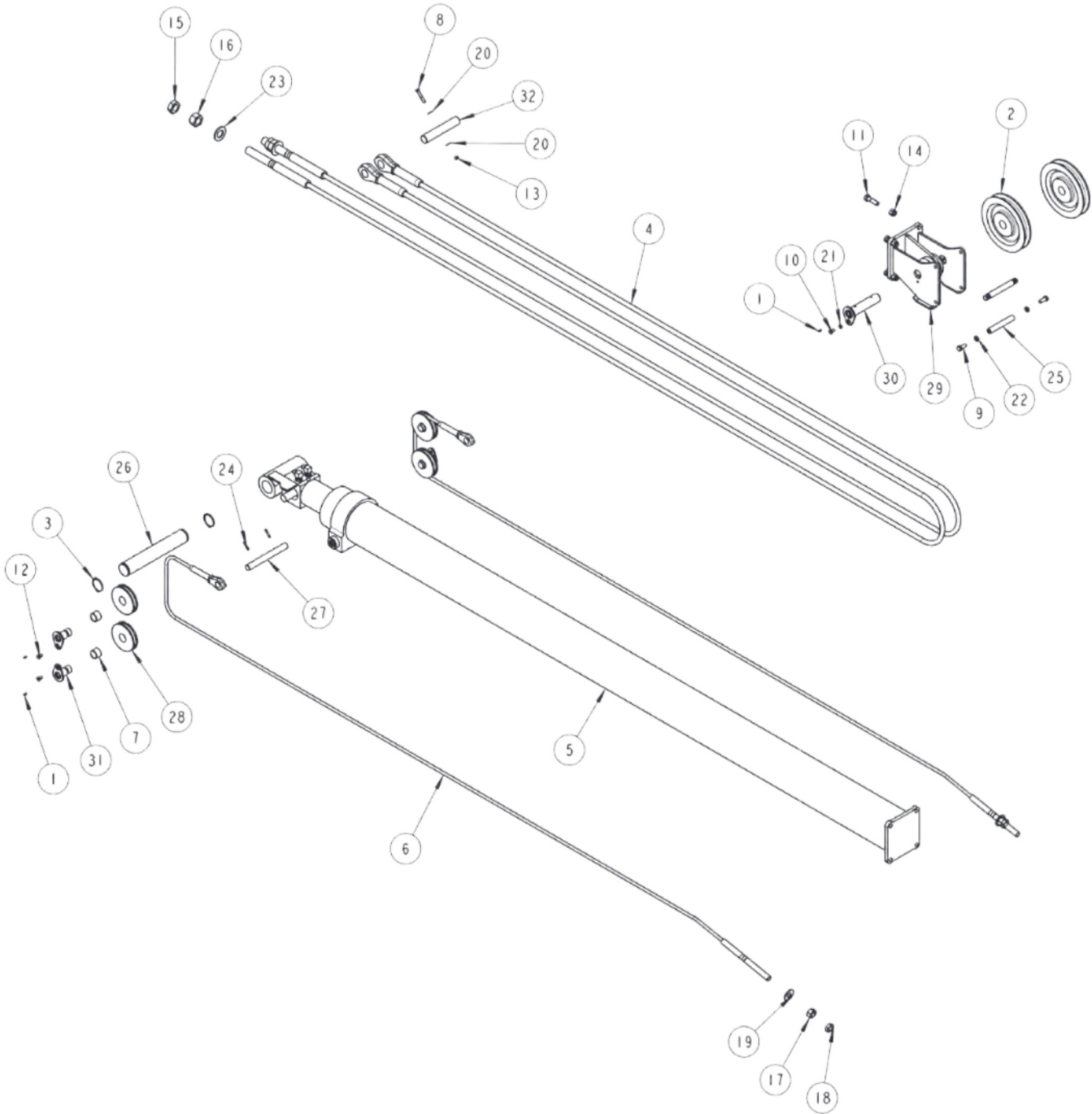


## Section I - PARTS (cont'd)

### INNER BOOM ASSEMBLY - 3 STAGE

ITEM	PART NUMBER	DESCRIPTION	QTY
1	0300113	GREASE FITTING, 1/4-28 STRAIGHT SS	6
2	0301895	GREASE FITTING, 1/8 NPT STRAIGHT	1
3	0303490	WEAR PAD (1/2 x 1 x 4)	2
4	0307432	BUSHING - BRONZE	4
5	0400059	1/4-20 x 5/8 HHCS GR 5 ZP	2
6	0400066	1/4-20 X 3/4 HHCS GR.5,ZP	2
7	0400121	3/8-16NC X 3/4 HHCS GR. B	2
8	0400223	3/8-16 X 3/4 FL. HD. SOCKET SCREW	4
9	0400349	SCREW, 3/8"-16 X 3/4" FL HD SKT	12
10	0400451	1/4 FLAT WASHER ZP	2
11	0400452	1/4 HELICAL LOCK WASHER ZP	4
12	0400482	3/8 HELICAL LOCK WASHER ZP	2
13	0400491	1/2 HELICAL LOCK WASHER ZP	2
14	0717262	SHIM - SLIDE PAD	2
15	0717909	SHEAVE - 5" DIA RETRACT	4
16	0718134	PLATE - SLIDE PAD SUPPORT	2
17	0806751	RETRACT SHEAVE SUPPORT WLD	1
18	0806752	SHAFT - RETRACT SHEAVE WELDMENT	4
19	0806824	INNER BOOM TUBE WLMT	1
20	0908118	SHEAVE ASSEMBLY 5" DIA	4
21	0908356	SLIDE PAD ASSEMBLY	2
22	0908424	SWIVEL ASSEMBLY	2
23	3012-793001	PLATE - LUBE MTG	1
24	9012549	CONNECTOR, 3/8 TUBE X 1/8 NPT	2
25	9012552	BULKHEAD COUPLING, 1/8	1
26	9012584	ELBOW, 1/4 NPT X 3/8 TUBE 90	1
27	9041402	1/2-13NC X 1 1/4 HHCS, ZP,GR.8	2
28	9044434	3/8-16X1 NC FLAT	2
29	916040004	WEAR PAD - LOWER	1
30	946030004	UPPER WEAR PAD - RECOVERY	2
31	947270000	INNER BOOM TUBE WLMT	1
32	0301949	3/8" OD AIRLINE, SYNDFLEX	1
33	0908119	EXTENSION SYSTEM	1

**Section I - PARTS (cont'd)**  
**3-STAGE BOOM EXTEND SYSTEM**



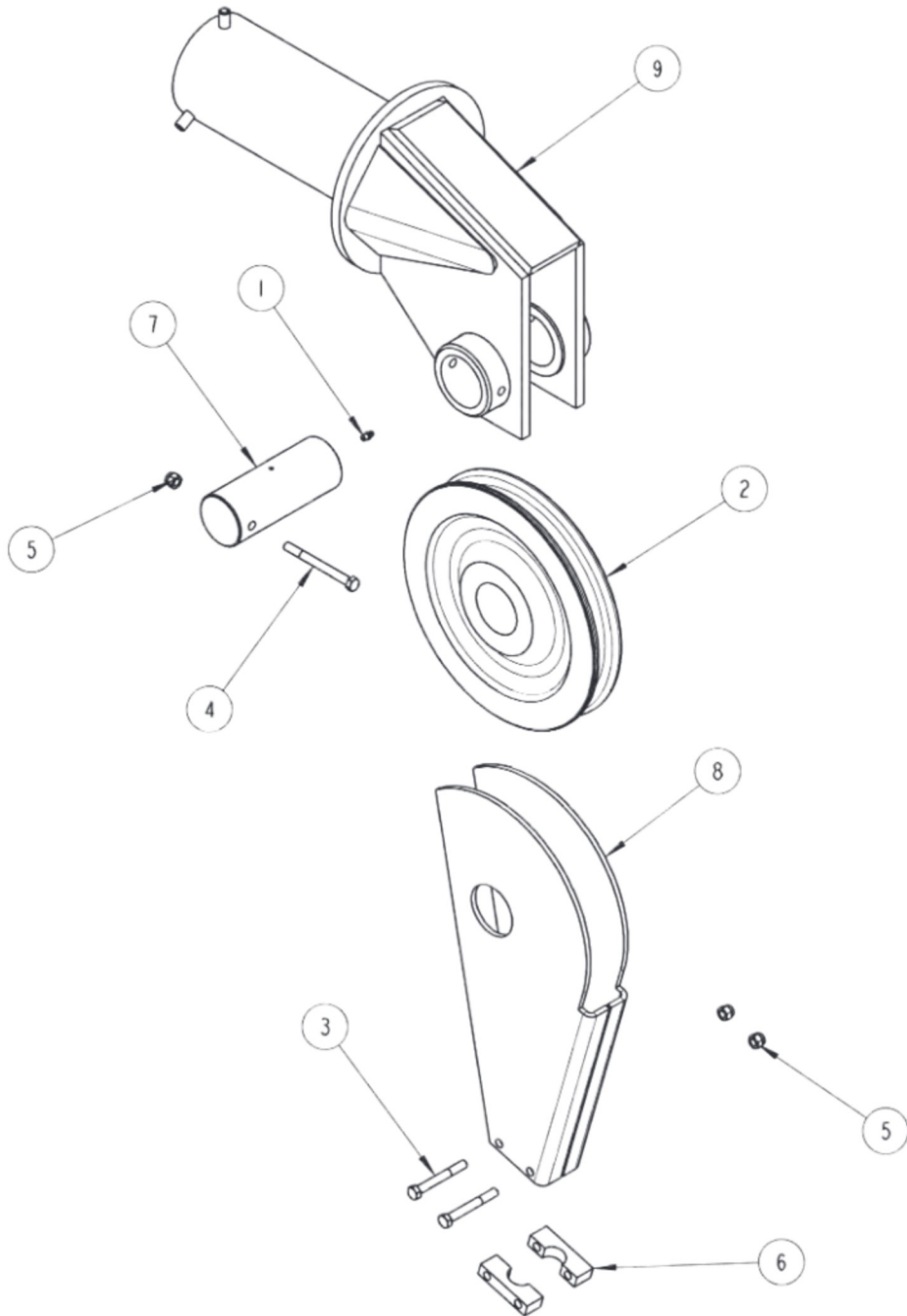
## Section I - PARTS (cont'd)

### 3-STAGE BOOM EXTEND SYSTEM

ITEM	PART NUMBER	DESCRIPTION	QTY
1	0300113	GREASE FITTING, 1/4-28 STRAIGHT SS	6
2	0303441	SHEAVE, 10"	2
3	0305023	SNAP RING 5100-0225PP	2
4	0307160	CABLE - EXT ASSY 3-STAGE BOOM	2
5	0307402	CYLINDER - BOOM EXTEND	1
6	0307403	CABLE - ASSY (RETRACT) 3-STAGE	2
7	0307432	BUSHING - BRONZE	4
8	0400146	3/8-16 X 2-1/4 HHCS GR.5 ZP	2
9	0400177	1/2-13 X 1 1/4 HHCS GR. 5, ZP	4
10	0400223	3/8-16 X 3/4 FL. HD. SOCKET SCREW	1
11	0400264	5/8-11 X 2-1/4 HHCS GR5 ZP	4
12	0400349	SCREW, 3/8"-16 X 3/4" FL HD SKT	4
13	0400392	3/8-16 NYLOCK HEX NUT ZP	1
14	0400421	5/8-11 NYLOCK HEX NUT ZP	4
15	0400448	1-1/4-12 HEX JAM NUT	2
16	0400461	1-1/4-12 NEX NUT GR8 ZP	2
17	0400471	7/8-14 UNF HEX NUT	2
18	0400472	7/8-14 UNF HEX NUT JAM	2
19	0400473	7/8 FLATWASHER HARDENED	2
20	0400480	3/8 FLAT WASHER ZP	2
21	0400483	LOCKWASHER, 3/8" COUNTERSUNK	1
22	0400491	1/2 HELICAL LOCK WASHER ZP	4
23	0400501	WASH - SAE 1 1/4 HARDENED PL	2
24	0400587	1/4 X 1-1/2 ROLL PIN ZP	2
25	0717743	ROD - EXTEND SHEAVE SPACER	2
26	0717744	PIN - EXTEND CYLINDER	1
27	0717747	PIN - CABLE RETRACT	1
28	0717909	SHEAVE - 5" DIA RETRACT	4
29	0806721	EXTEND SHEAVE BRACKET WELDMENT	1
30	0806722	SHAFT, EXTENSION SHEAVE WELDMENT	1
31	0806752	SHAFT - RETRACT SHEAVE WELDMENT	4
32	GA0215	PIN, D RING	2

Section I - PARTS (cont'd)

BOOM SWIVEL ASSEMBLY

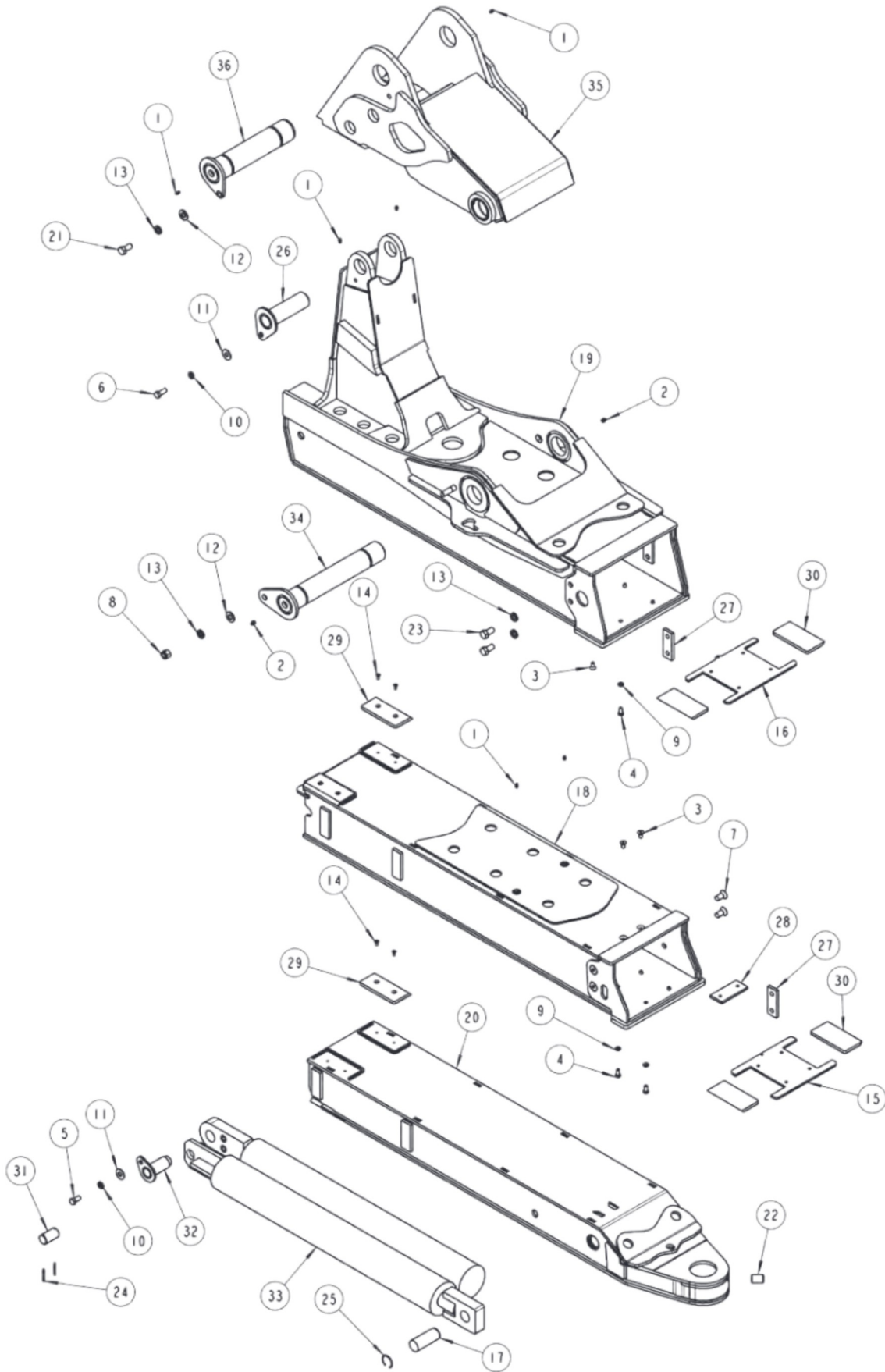


## Section I - PARTS (cont'd)

### BOOM SWIVEL ASSEMBLY

ITEM	PART NUMBER	DESCRIPTION	QTY
1	0300113	GREASE FITTING, 1/4-28 STRAIGHT SS	1
2	0300311	SHEAVE - 12-10-1BB 10	1
3	0400133	3/8-16 X 3 HHCS GR.5,ZP	2
4	0400140	3/8-16 X 4 HHCS GR.5,ZP	1
5	0400392	3/8-16 NYLOCK HEX NUT ZP	3
6	0700511	GUIDE - BOTTOM CABLE	2
7	0700563	SHAFT - SHEAVE	1
8	0802027	CABLE GUIDE WELDMENT	1
9	0806862	BOOM END SWIVEL WELDMENT	1

**Section I - PARTS (cont'd)**  
**STANDARD STINGER ASSEMBLY**



## Section I - PARTS (cont'd)

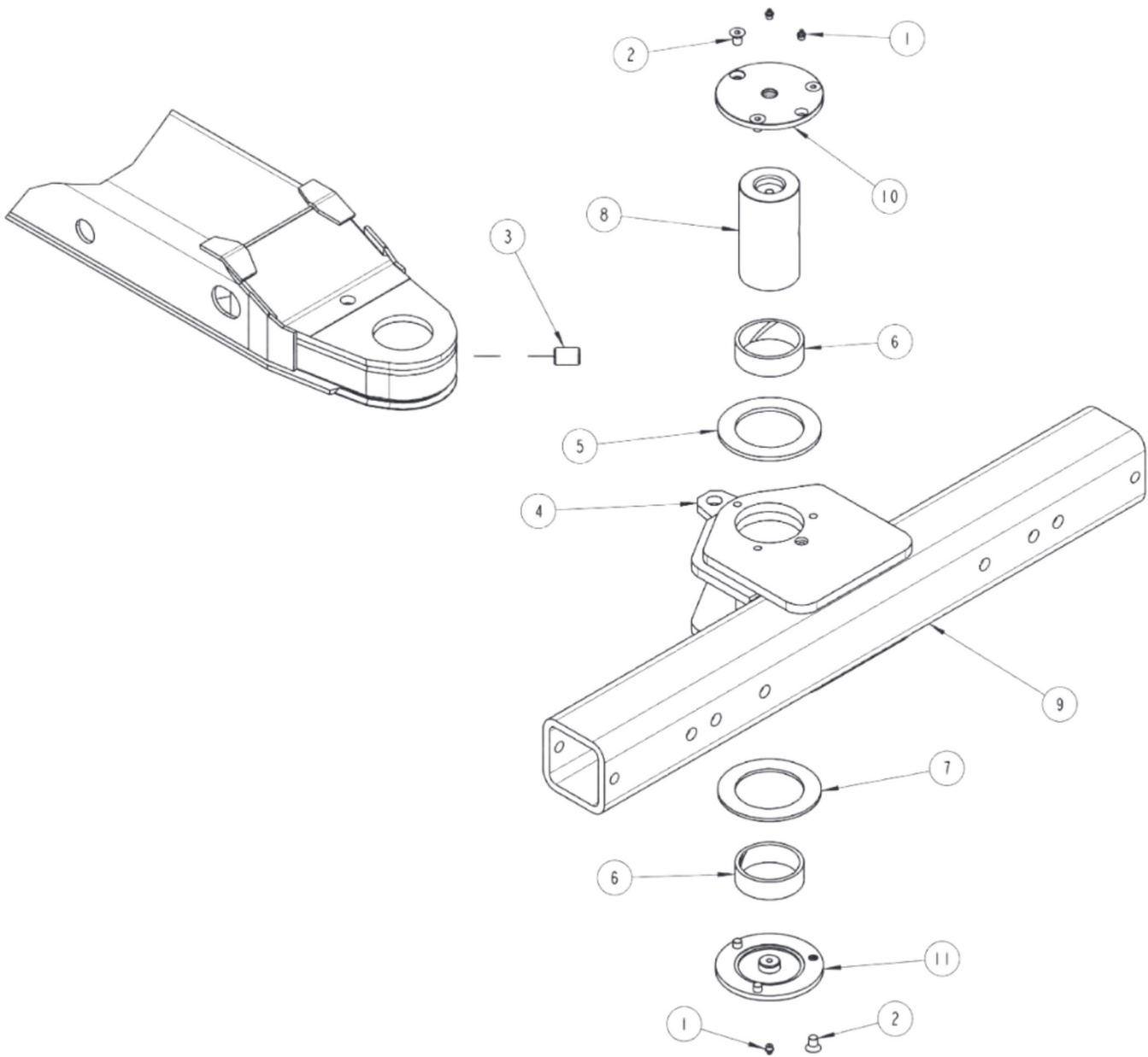
### STANDARD STINGER ASSEMBLY

ITEM	PART NUMBER	DESCRIPTION	QTY
1	0300113	GREASE FITTING, 1/4-28 STRAIGHT	6
2	0301895	GREASE FITTING, 1/8 NPT STRAIGHT	2
3	0400134	3/8-24 X 3/4 FLATHEAD SOCKET SCREW	4
4	0400151	3/8-24 X 3/4 HHCS GR5 ZP	6
5	0400176	1/2-13 X 1 HHCS GR5 ZP	1
6	0400177	1/2-13 X 1 1/4 HHCS GR5 ZP	1
7	0400345	SCREW - 1/4"-20 X 5/8" FL SKT HD	4
8	0400421	5/8-11 NYLOCK HEX NUT ZP	1
9	0400482	3/8 HELICAL LOCKWASHER ZP	6
10	0400491	1/2 HELICAL LOCKWASHER ZP	2
11	0400492	1/2 FLAT WASHER ZP	2
12	0400505	5/8 FLAT WASHER SAE	2
13	0400508	5/8 HELICAL LOCK WASHER ZP	6
14	0400594	SCREW - 1/4"-20 X 5/8" FL SKT HD	8
15	0723463	PLATE, PAD CAGE - 1ST STAGE STINGER	1
16	0723476	PLATE, PAD CAGE - FOLDING BOOM	1
17	0724348	PIN, PIN WELD'T - STINGER EXT. - REAR	1
18	0807763	1ST STAGE STINGER WELDMENT	1
19	0807765	FOLDING BOOM WELDMENT - 116" REACH	1
20	0810009	2ND STAGE STINGER WELDMENT	1
21	9040602	5/8-11 X 1-1/4 HHCS GR8 ZP	1
22	9044170	1-8X1-1/2 SOC SET SCREW	1
23	9044471	SCREW, 5/8"-18 X 1-1/4" HEX HD CAP	4
24	9046315	ROLL PIN, 3/16" X 1"	2
25	9054150	SNAP RING, 1-1/4" NOM INTERNAL	1
26	924902000	LOWER PIN WELDMENT TILT CYLINDER	1
27	930150001	STOP PAD (FOLDING BOOM)	4
28	930150002	SPACER (1ST STAGE STINGER)	1
29	930150003	TOP PAD	4
30	930150004	BOTTOM PAD	4
31	930150011	PIN CYLINDER 1ST STAGE STINGER	1
32	930152000	FRONT MTG. PIN WELDMENT STINGER	1
33	930770500	STINGER EXT. CYLINDER	1
34	930901500	SHAFT WELDMENT FOLDING BOOM PIVOT	1
35	945300000	PIVOT FOOT WELDMENT	1
36	945351000	SHAFT WELDMENT FOLDING BOOM PIVOT	1



Section I - PARTS (cont'd)

CROSSBAR ASSEMBLY



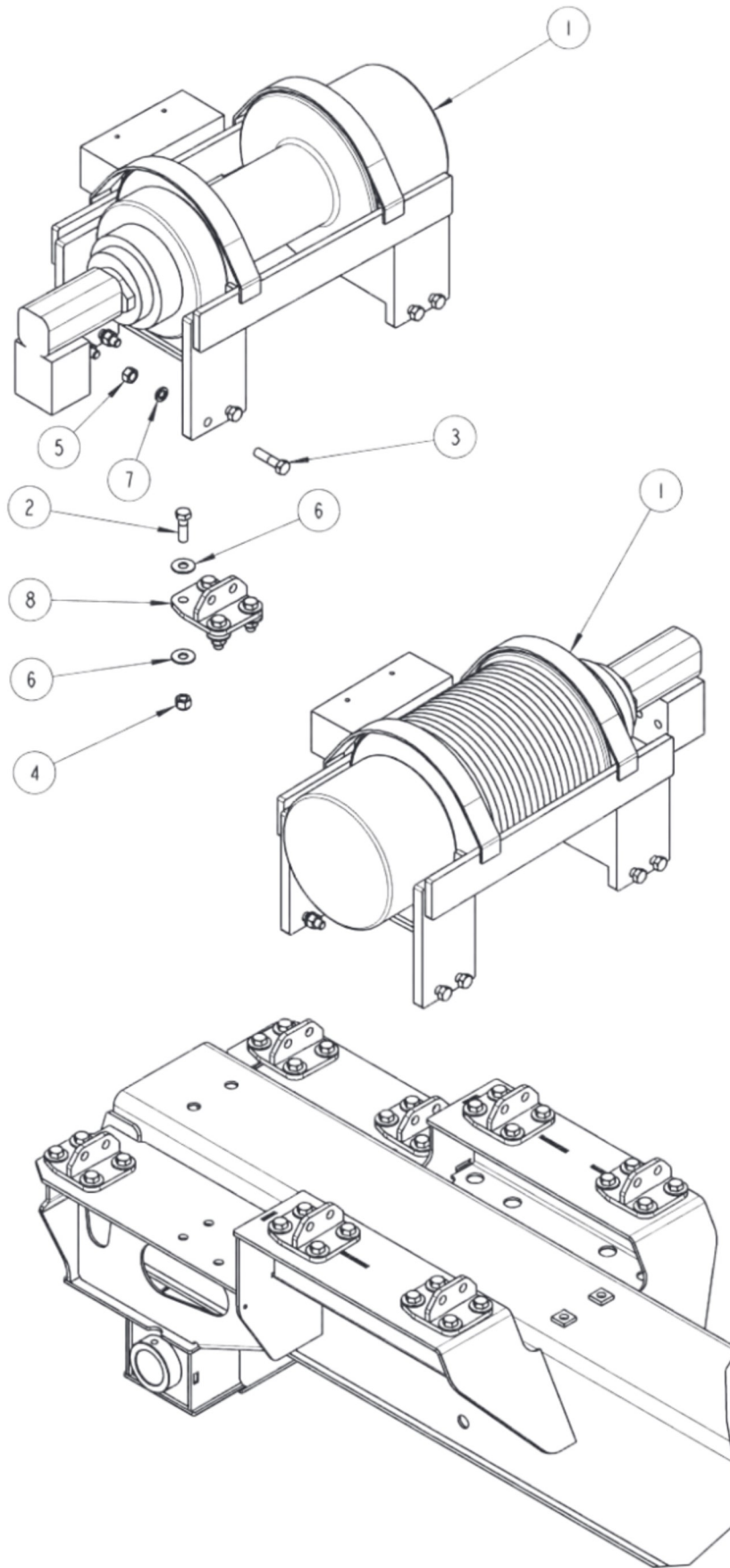
## Section I - PARTS (cont'd)

### CROSSBAR ASSEMBLY

ITEM	PART NUMBER	DESCRIPTION	QTY
1	0301895	GREASE FITTING, 1/8 NPT STRAIGHT	3
2	9043800	1/2-13 X 1 FLAT HEAD SOCKET CAP SCR	6
3	9044170	1-8X1-1/2 SOC SET SCREW	1
4	915150004	LUG PLATE CROSSBAR ASSEMBLY	1
5	915150005	THURST WASHER (.25 THK)	1
6	945510006	BEARING - ALUMINUM BRONZE	2
7	945510007	THURST WASHER (.19 THK)	1
8	946350005	PIVOT PIN	1
9	946570500	5" CROSSBAR WELDMENT	1
10	946571000	TOP COVER PLATE WELDMENT	1
11	946571100	BOTTOM COVER PLATE WELDMENT	1

Section I - PARTS (cont'd)

WINCH ASSEMBLY



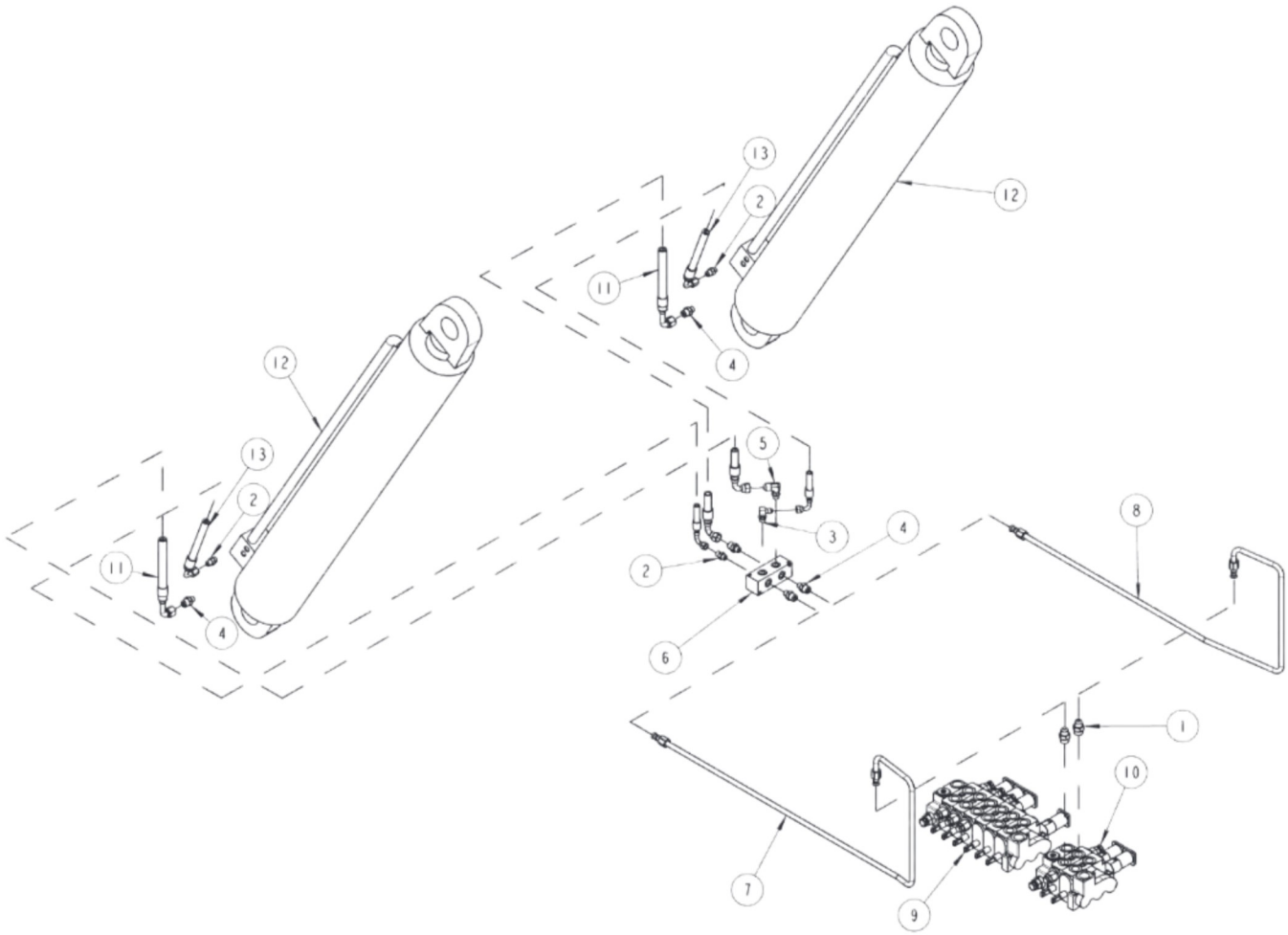
## Section I - PARTS (cont'd)

### WINCH ASSEMBLY

ITEM	PART NUMBER	DESCRIPTION	QTY
1	0303505	WINCH, DP MODEL S50-50K	2
2	0400288	3/4-10 X 2-1/2 HHCS GR.8 GOLD	32
3	0400289	3/4-10 X 3 HHCS GR.8 GOLD	16
4	0400431	3/4-10 NYLOCK HEX NUT GR.8 ZP	32
5	0400440	NUT, 3/4"-10 HEX JAM ZP	16
6	0400489	WASHER, 3/4 SAE FLAT HARDENED	64
7	0400511	3/4 HELICAL LOCK WASHER ZP	16
8	0807965	WINCH MTG BRACKET	8

# Section I - PARTS (cont'd)

## BOOM LIFT HYDRAULICS



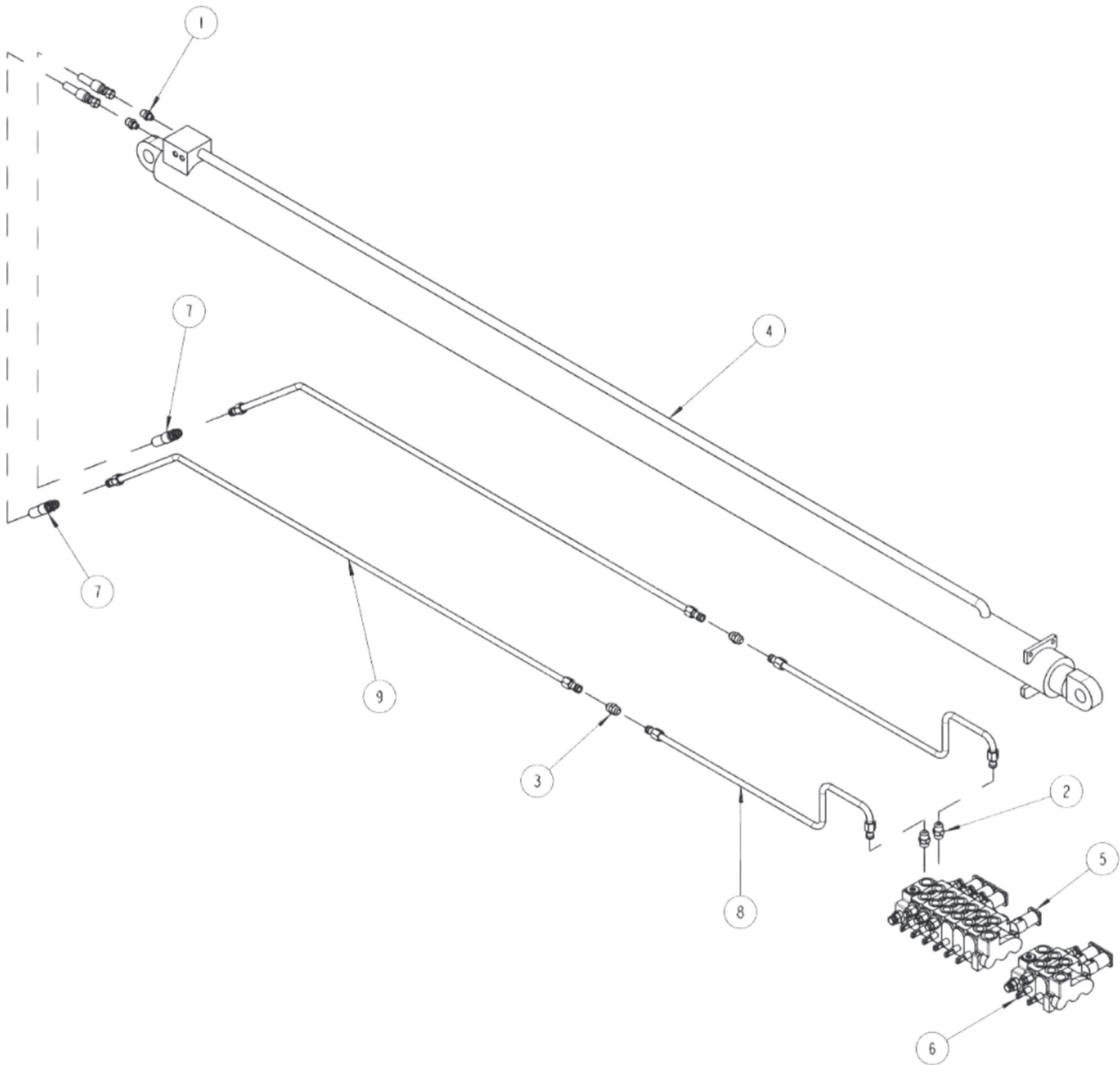
## Section I - PARTS (cont'd)

### BOOM LIFT HYDRAULICS

ITEM	PART NUMBER	DESCRIPTION	QTY
1	0301376	CONNECTOR 8MJX10MB	2
2	0301522	CONNECTOR 6MJ-6MB	3
3	0301620	FITTING, ELBOW, 6MJ-6MB90	1
4	0302275	CONNECTOR 8MJX6MB	5
5	0302276	ELBOW, 8MJ-6MB90	1
6	0306700	MANIFOLD BLOCK	1
7	0310840	HYD TUBE ASSY BOOM LIFT -"A" PORT	1
8	0310841	HYD TUBE ASSY BOOM LIFT (PORT B)	1
9	9016021	VALVE 6 SPOOL	1
10	9016022	VALVE 2 SPOOL	1
11	915770002	HOSE ASSEMBLY, 12" LG	2
12	946700000	BOOM LIFT CYLINDER	2
13	946770001	HOSE ASSEMBLY MAIN LIFT CYLINDER	2

# Section I - PARTS (cont'd)

## 2-STAGE BOOM EXTEND HYDRAULICS



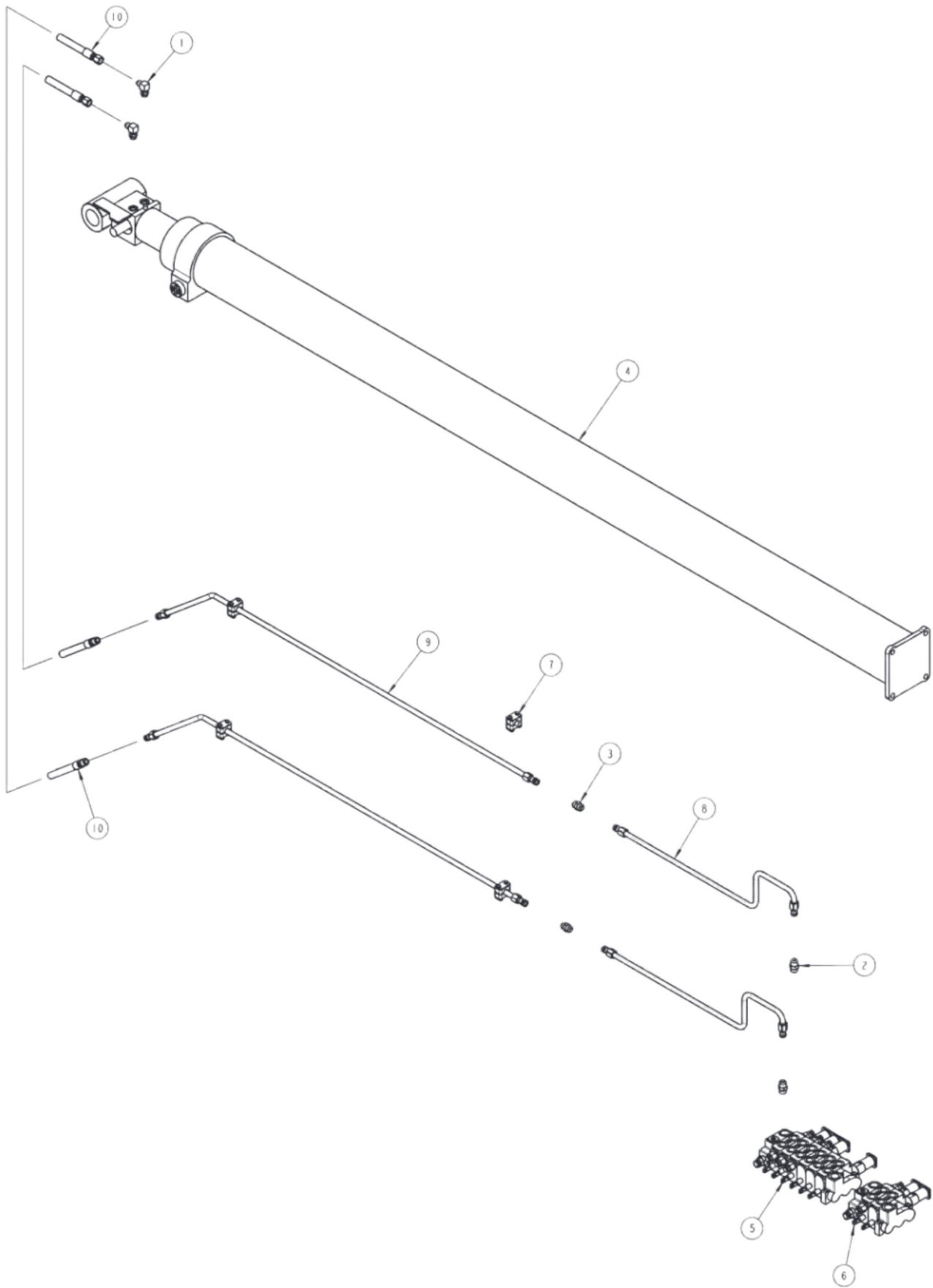


## Section I - PARTS (cont'd)

### 2-STAGE BOOM EXTEND HYDRAULICS

ITEM	PART NUMBER	DESCRIPTION	QTY
1	0302275	CONNECTOR 8MJX6MB	2
2	0302827	CONNECTOR 10MJX10MB	2
3	0307003	INLINE ORIFICE	2
4	945710000	CYLINDER - BOOM EXTEND	1
5	9016021	VALVE 6 SPOOL	1
6	9016022	VALVE 2 SPOOL	1
7	945770007	8AT2(10MJ-8FJ) HCL 48	2
8	946760003	HYD TUBE ASSY. MAIN BOOM EXT.	2
9	946760017	HYD TUBE ASSY. 5/8" END SECTION	2

**Section I - PARTS (cont'd)**  
**3-STAGE BOOM EXTEND HYDRAULICS**

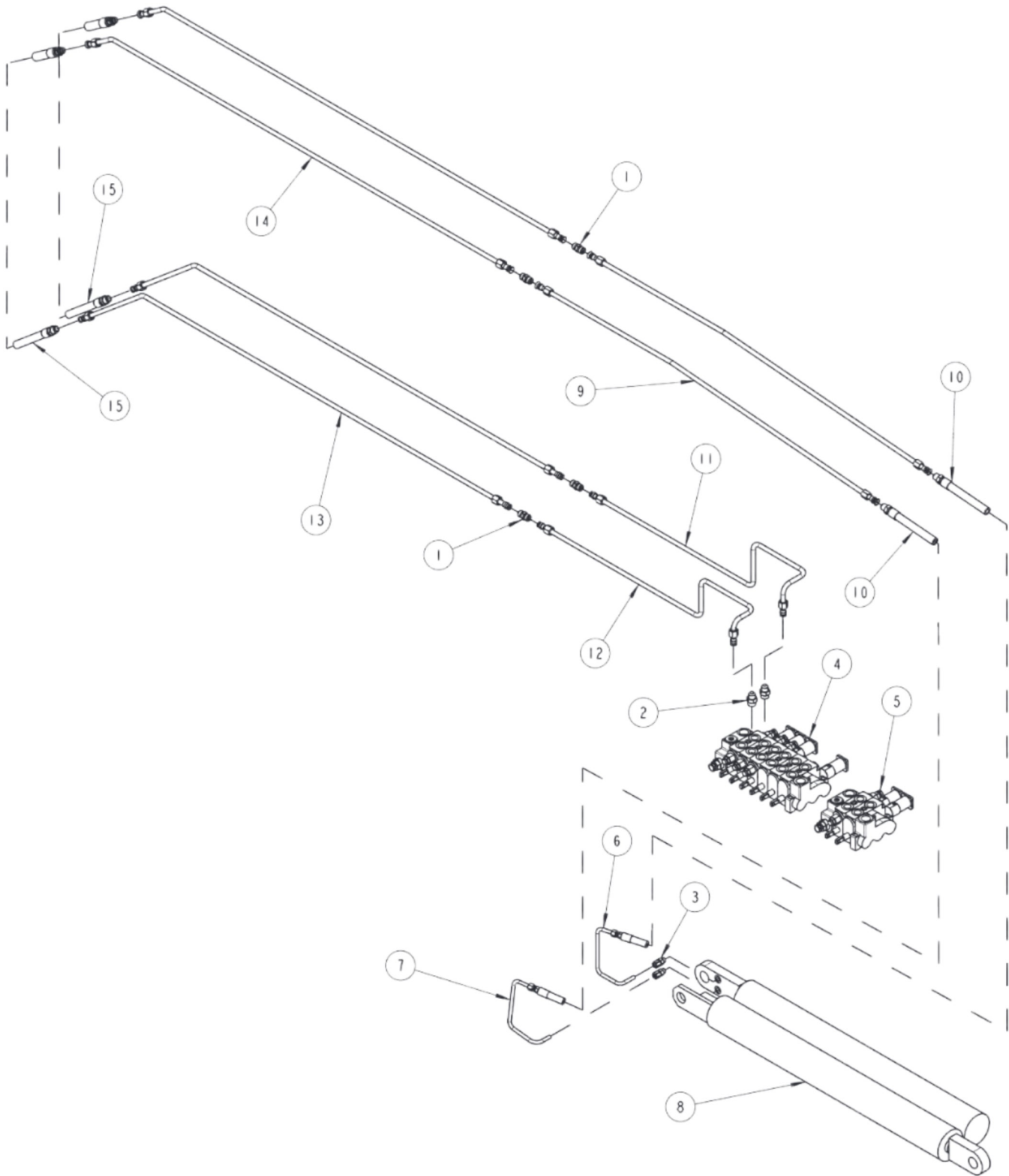


## Section I - PARTS (cont'd)

### 3-STAGE BOOM EXTEND HYDRAULICS

ITEM	PART NUMBER	DESCRIPTION	QTY
1	0301388	ELBOW, 8MJ-8MB90	2
2	0302827	CONNECTOR 10MJX10MB	2
3	0307003	INLINE ORIFICE	2
4	0307402	CYLINDER - BOOM EXTEND	1
5	9016021	VALVE 6 SPOOL	1
6	9016022	VALVE 2 SPOOL	1
7	9018256	TUBE CLAMP, 3/4"	4
8	946760003	HYDRAULIC TUBE ASSY. MAIN BOOM EXT.	2
9	946760017	HYDRAULIC TUBE ASSY. 5/8" END SECTION	2
10	946770006	HOSE ASSEMBLY, 30" LG	2

**Section I - PARTS (cont'd)**  
**UNDERLIFT EXTEND HYDRAULICS**



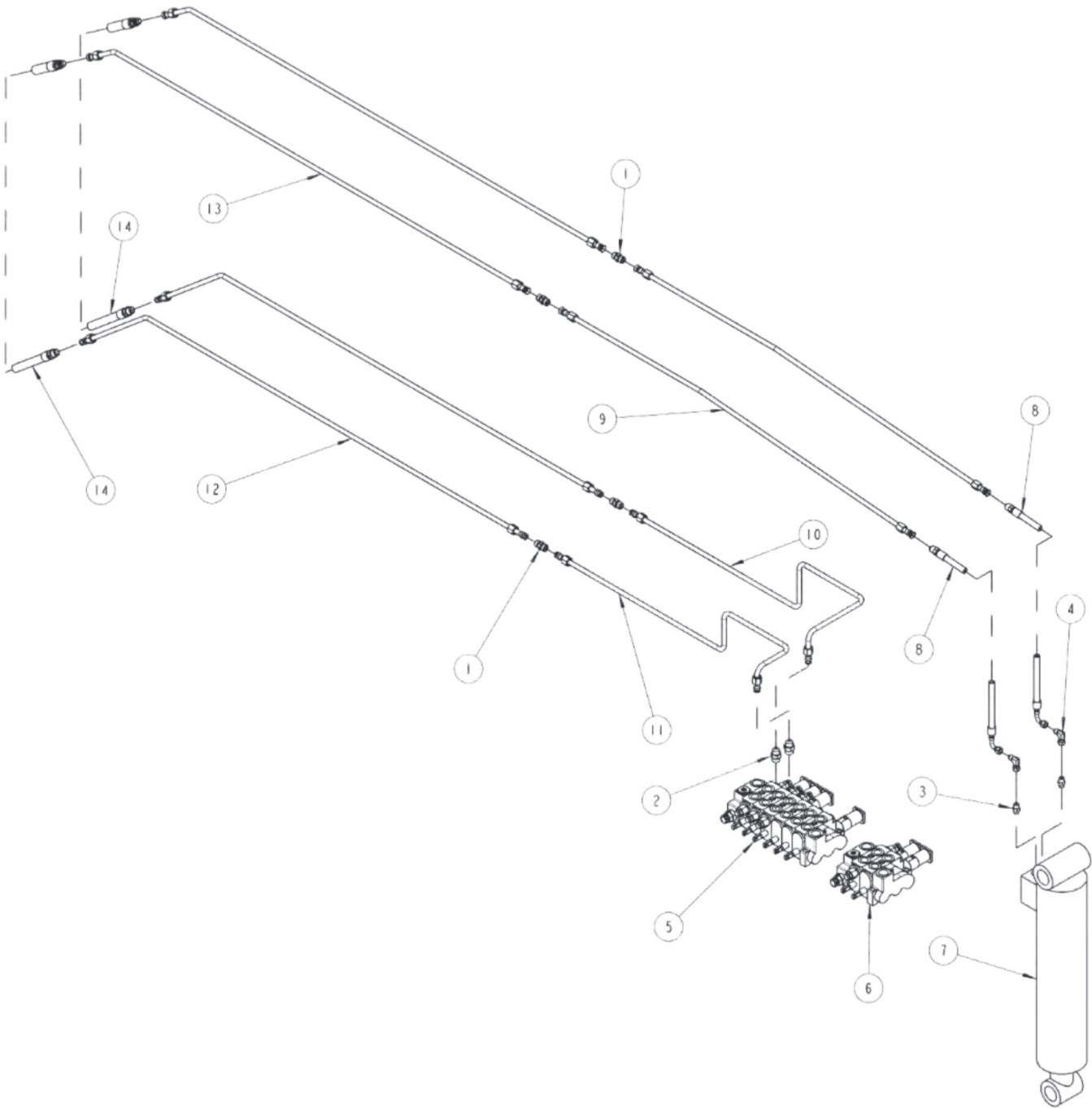
## Section I - PARTS (cont'd)

### UNDERLIFT EXTEND HYDRAULICS

ITEM	PART NUMBER	DESCRIPTION	QTY
1	0300865	ADAPTER, 8MJ-6MJ	4
2	0301376	CONNECTOR 8MJX10MB	2
3	9012510	CONNECTOR, 9/16" SAE X 3/8" TUBE	2
4	9016021	VALVE 6 SPOOL	1
5	9016022	VALVE 2 SPOOL	1
6	915760022	STINGER SUPPLY TUBE	1
7	915760023	STINGER SUPPLY TUBE	1
8	916720000	STINGER EXT. CYLINDER	1
9	916760001	HYDRAULIC TUBE ASSY	2
10	916770001	HOSE ASSEMBLY, 30" LG	2
11	946760004	HYD TUBE ASSY. STINGER EXT. A PORT	1
12	946760005	HYD TUBE ASSY. STINGER EXT. B PORT	1
13	946760018	HYD TUBE ASSY. 1/2" END SECTION	2
14	946760019	HYD TUBE ASSY	2
15	946770003	HOSE ASSEMBLY, 45" LG	2

Section I - PARTS (cont'd)

UNDERLIFT TILT HYDRAULICS



## Section I - PARTS (cont'd)

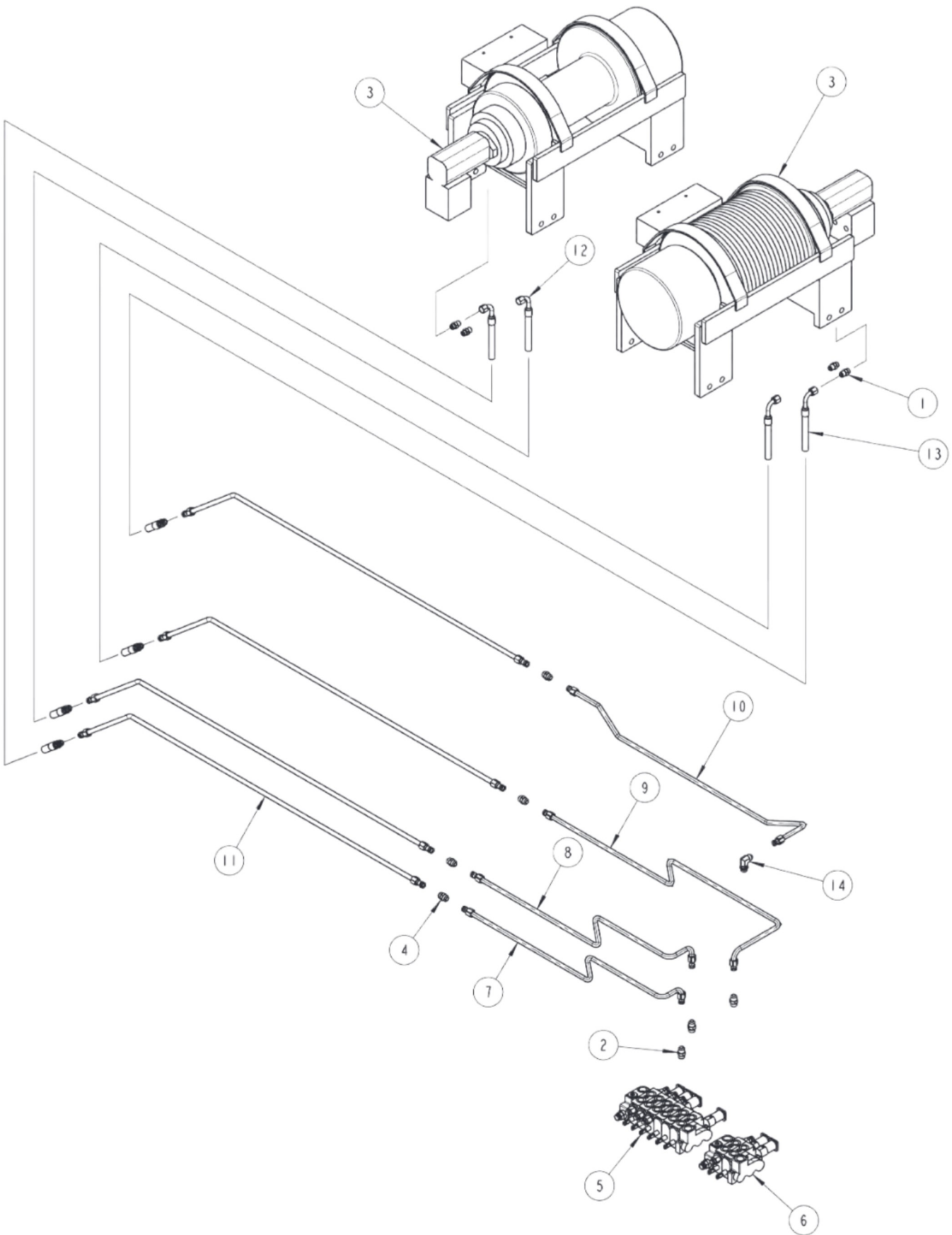
### UNDERLIFT TILT HYDRAULICS

ITEM	PART NUMBER	DESCRIPTION	QTY
1	0300865	ADAPTER, 8MJ-6MJ	4
2	0301376	CONNECTOR 8MJX10MB	2
3	0301522	CONNECTOR 6MJ-6MB	2
4	0301696	ELBOW, 6MJ-6FJX90	2
5	9016021	VALVE 6 SPOOL	1
6	9016022	VALVE 2 SPOOL	1
7	915740000	TILT CYLINDER	1
8	915770008	6AT2(6T90S-8MJ) HCL 42	2
9	916760001	HYDRAULIC TUBE ASSY	2
10	946760006	HYD TUBE ASSY. STINGER TILT A PORT	1
11	946760007	HYD TUBE ASSY. STINGER TILT B PORT	1
12	946760018	HYD TUBE ASSY. 1/2" END SECTION	2
13	946760019	HYD TUBE ASSY	2
14	946770003	HOSE ASSEMBLY, 45" LG	2



Section I - PARTS (cont'd)

WINCH HYDRAULICS



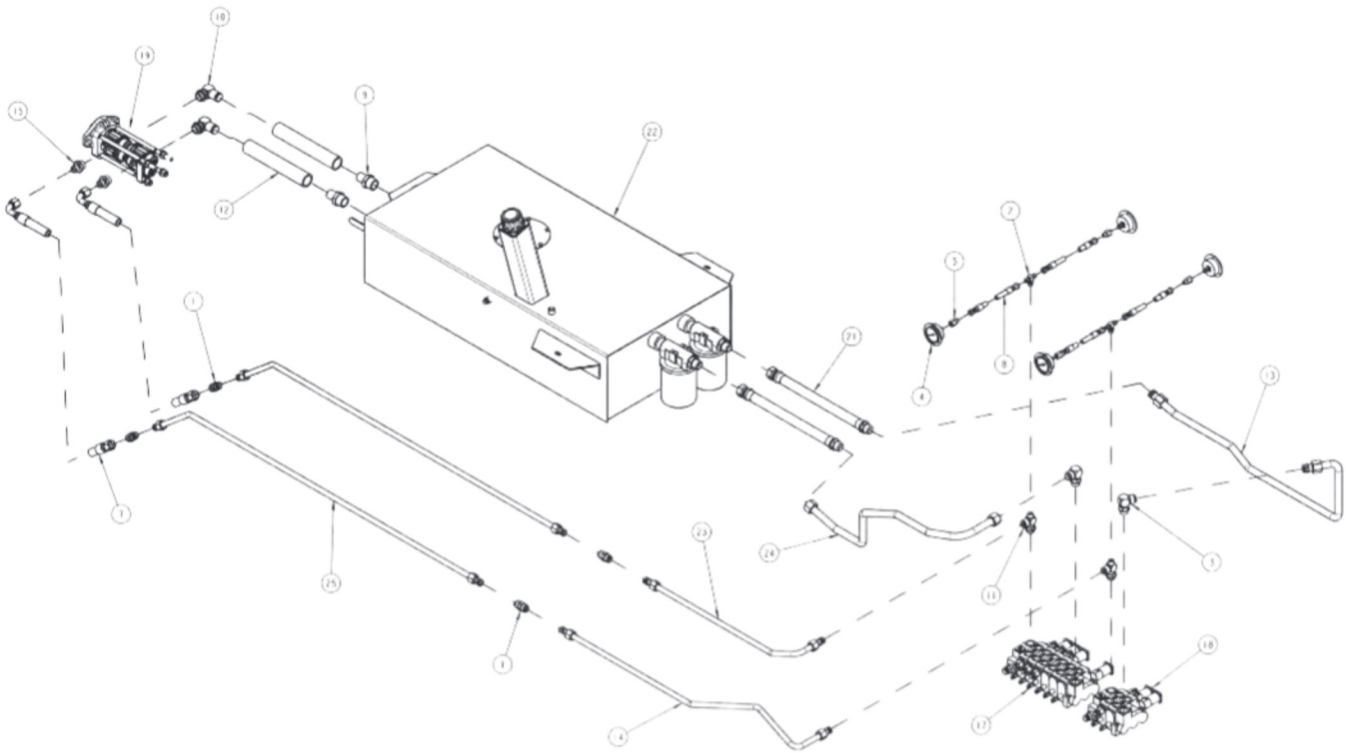
## Section I - PARTS (cont'd)

### WINCH HYDRAULICS

ITEM	PART NUMBER	DESCRIPTION	QTY
1	0300041	CONNECTOR 8MJX8MB	4
2	0302827	CONNECTOR 10MJX10MB	3
3	0303505	WINCH, DP MODEL S50-50K	1
4	0307003	INLINE ORIFICE	4
5	9016021	VALVE 6 SPOOL	1
6	9016022	VALVE 2 SPOOL	1
7	946760010	HYDRAULIC TUBE ASSEMBLY	1
8	946760011	HYDRAULIC TUBE ASSEMBLY	1
9	946760013	TUBE, HYD 5/8X48 3/8	1
10	946760014	TUBE, HYD 5/8X29 3/4	1
11	946760017	HYDRAULIC TUBE ASSY. 5/8" END SECTION	4
12	946770007	HOSE ASSEMBLY, 89" LG	2
13	946770009	HOSE ASSEMBLY, 89" LG	2
14	GX263	FITTING, ELB 10MJ-10MB90	1

Section I - PARTS (cont'd)

SUBFRAME HYDRAULICS



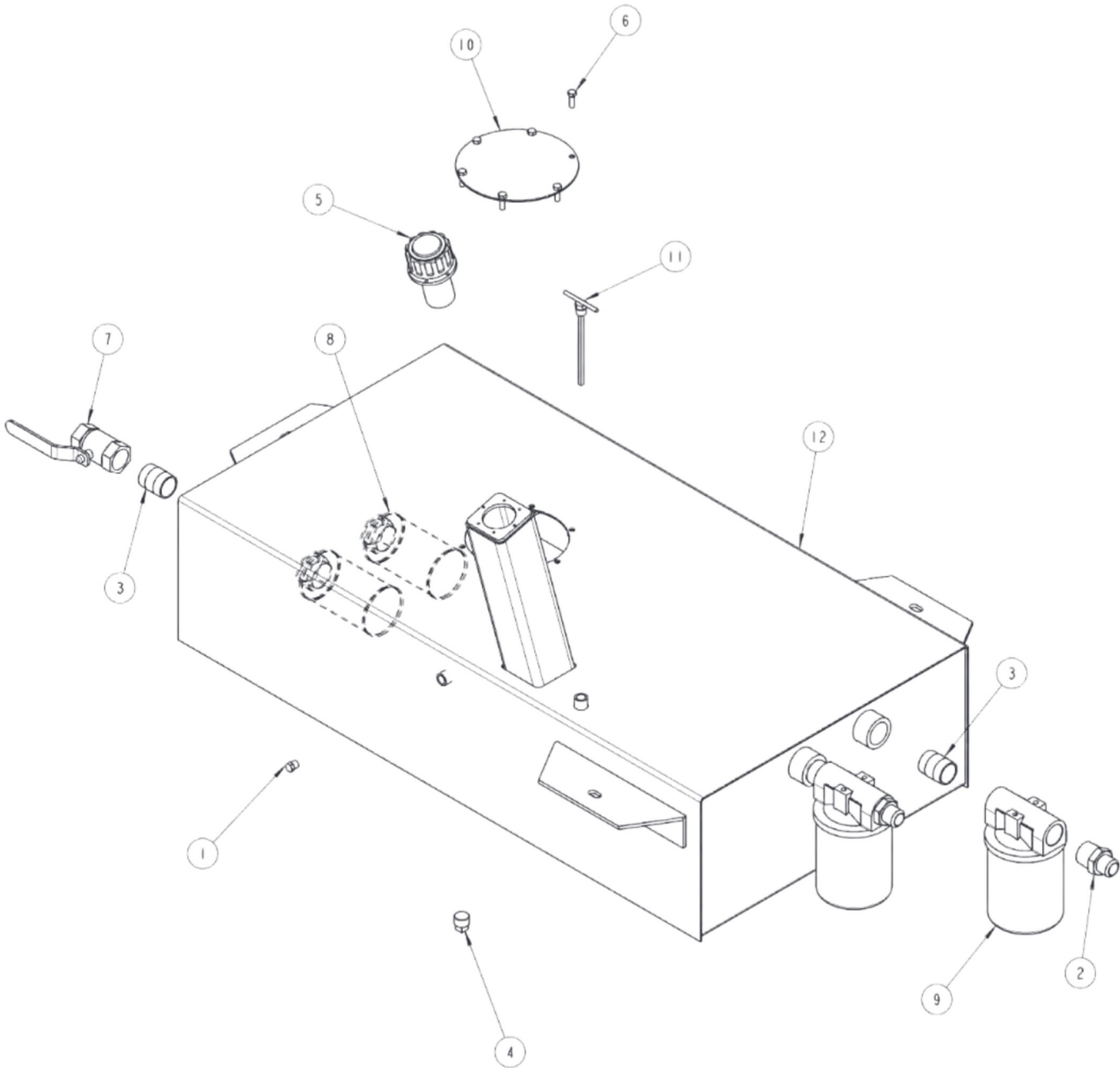
## Section I - PARTS (cont'd)

### SUBFRAME HYDRAULICS

ITEM	PART NUMBER	DESCRIPTION	QTY
1	0300649	CONNECTOR, 12MJ-12MJ	4
2	0301619	BRANCH TEE, 6MJ-6MJ-6MB	2
3	0302083	16MJ-12MB 90 ELBOW	2
4	0302205	GAUGE, FLUSH MOUNT 6000 PSI	4
5	0302577	CONNECTOR, 6MJ-4FP	4
6	0302696	CONNECTOR, 16MJ-20MP	2
7	0302901	HOSE ASSEMBLY, 120" LG	2
8	0303394	HOSE ASSEMBLY, 46" LG	4
9	0306538	HOSE BARB, 20HOSE-20MP	2
10	0306539	HOSE BARB, 20HOSE-16MB90	2
11	0306984	ELBOW, 12MJ-12MB90	2
12	0310010	SUCTION HOSE, 1-1/2" I.D. 100R4	2
13	0310837	HYD TUBE, RETURN REAR VALVE	1
14	0310839	HYD TUBE ASSY, PRESSURE	1
15	9012968	CONNECTOR 8MJX10MB	2
16	9015571	BALL VALVE 1-1/4"	2
17	9016021	VALVE 6 SPOOL	1
18	9016022	VALVE 2 SPOOL	1
19	9016815	MUNCIE PUMP TSPKS17-17-2B	1
20	9018140	FILTER ASSEMBLY, SPIN-ON	2
21	915770017	HOSE ASSEMBLY	2
22	915780000	HYDRAULIC TANK ASSY	1
23	946760001	HYD TUBE ASSEMBLY	1
24	946760012	HYD TUBE ASSY, RETURN LINE	1
25	946760016	HYD TUBE ASSY	2

Section I - PARTS (cont'd)

HYDRAULIC TANK ASSEMBLY

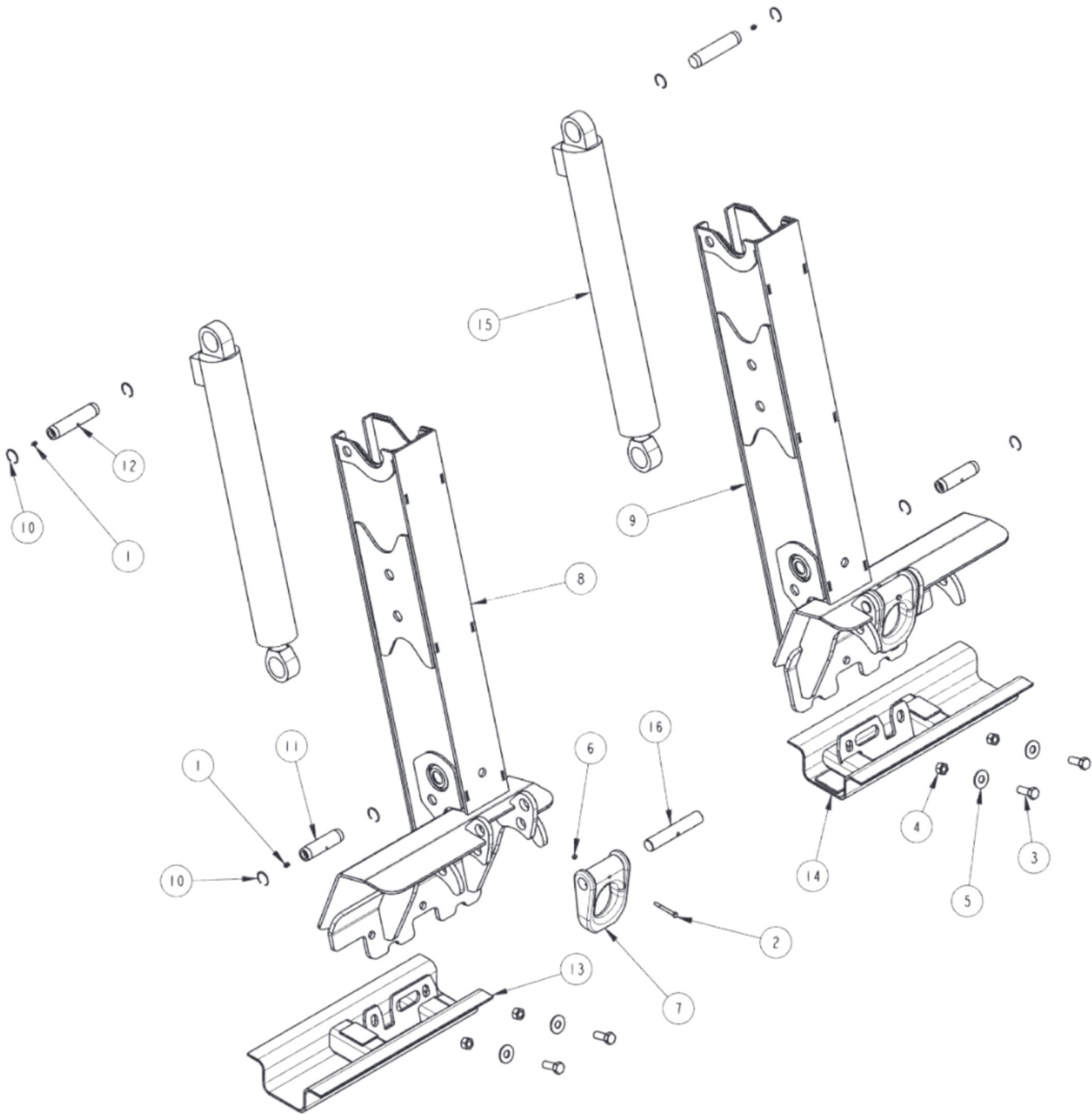


## Section I - PARTS (cont'd)

### HYDRAULIC TANK ASSEMBLY

ITEM	PART NUMBER	DESCRIPTION	QTY
1	0301618	FITTING, BRASS PLUG 1/4	1
2	0302696	CONNECTOR, 16MJ-20MP	2
3	0302699	PIPE NIPPLE - 1-1/4 X 2	4
4	0303155	PIPE PLUG - 3/4 NPT (MAGNETIC)	1
5	0305006	FILLER CAP	1
6	0400109	5/16-18 X 1 HHCS GR5 ZP	6
7	9015571	BALL VALVE 1-1/4"	2
8	9018139	SUCTION STRAINERS	2
9	9018140	FILTER ASSEMBLY, SPIN-ON	2
10	9401408	INSPECT COVER	1
11	9401418	DIPSTICK WELDMENT	1
12	915780500	HYDRAULIC TANK WELDMENT	1

**Section I - PARTS (cont'd)**  
**STANDARD JACKLEG ASSEMBLY**





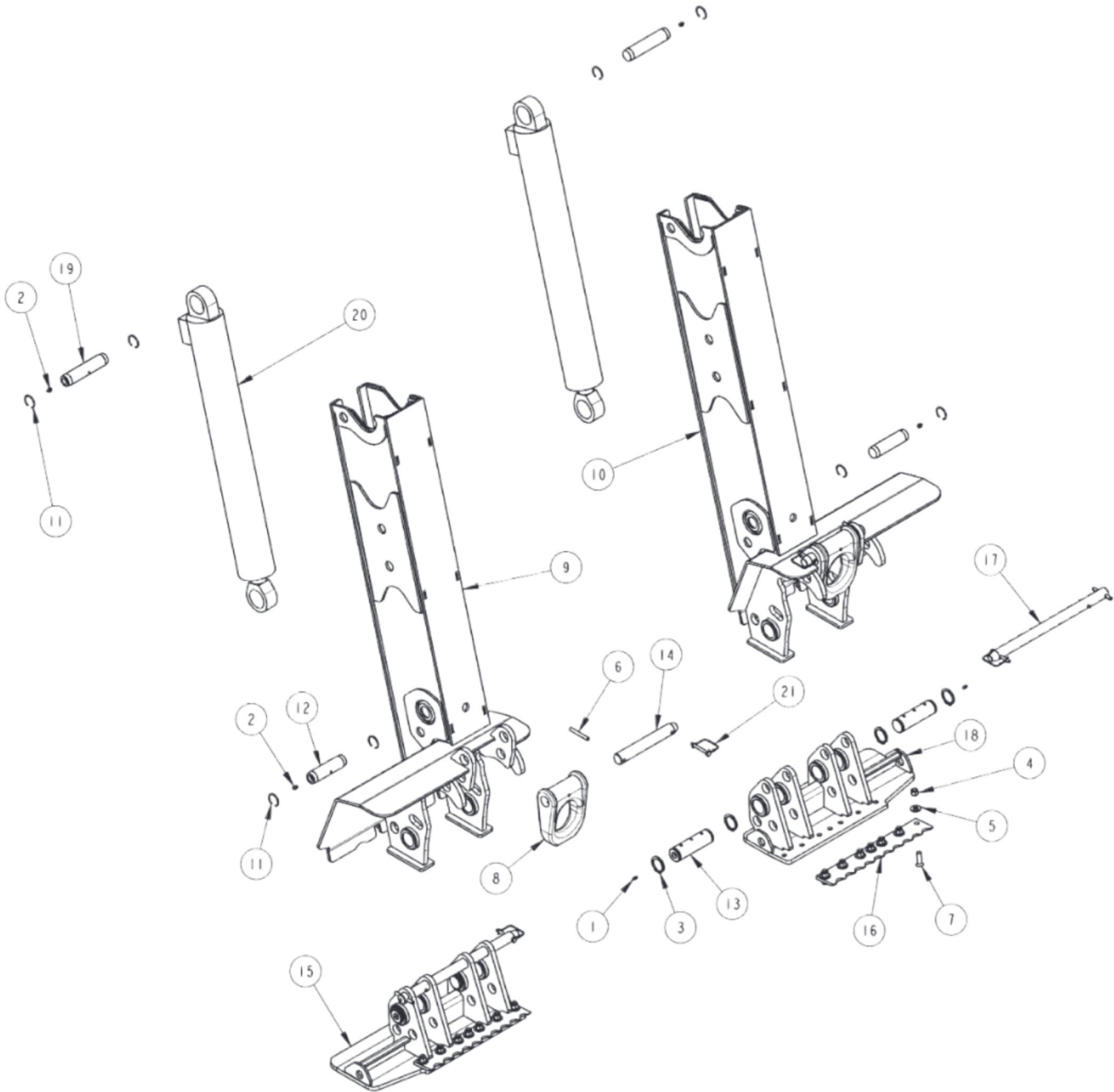
## Section I - PARTS (cont'd)

### STANDARD JACKLEG ASSEMBLY

ITEM	PART NUMBER	DESCRIPTION	QTY
1	0301895	GREASE FITTING, 1/8 NPT STRAIGHT	6
2	0400114	5/16-18 X 3 HHCS GR 5 ZP	2
3	0400283	3/4-10 X 2 GR8 HHCS	4
4	0400438	3/4-10 HEX NUT ZP	4
5	0400490	3/4 FLAT WASHER GR.8	4
6	0400776	5/16-18 HEX NUT JAM NYLOK	2
7	0719585	"D" RING - TOWING	2
8	0807947	LH JACK LEG WELDMENT - STANDARD	1
9	0807948	RH JACK LEG WELDMENT - STANDARD	1
10	9054150	SNAP RING, 1-1/4" NOM INTERNAL	8
11	920900007	PIN, LOWER STIFFLEG CYLINDER	2
12	930350001	PIN, UPPER STIFFLEG	2
13	945550500	LH STABILIZER WELDMENT	1
14	945557500	RH STABILIZER WELDMENT	1
15	945720000	STIFF LEG CYLINDER - 45	2
16	GA0215	PIN, D RING	2

Section I - PARTS (cont'd)

JACKLEG ASSEMBLY W/ FLIPPER FEET



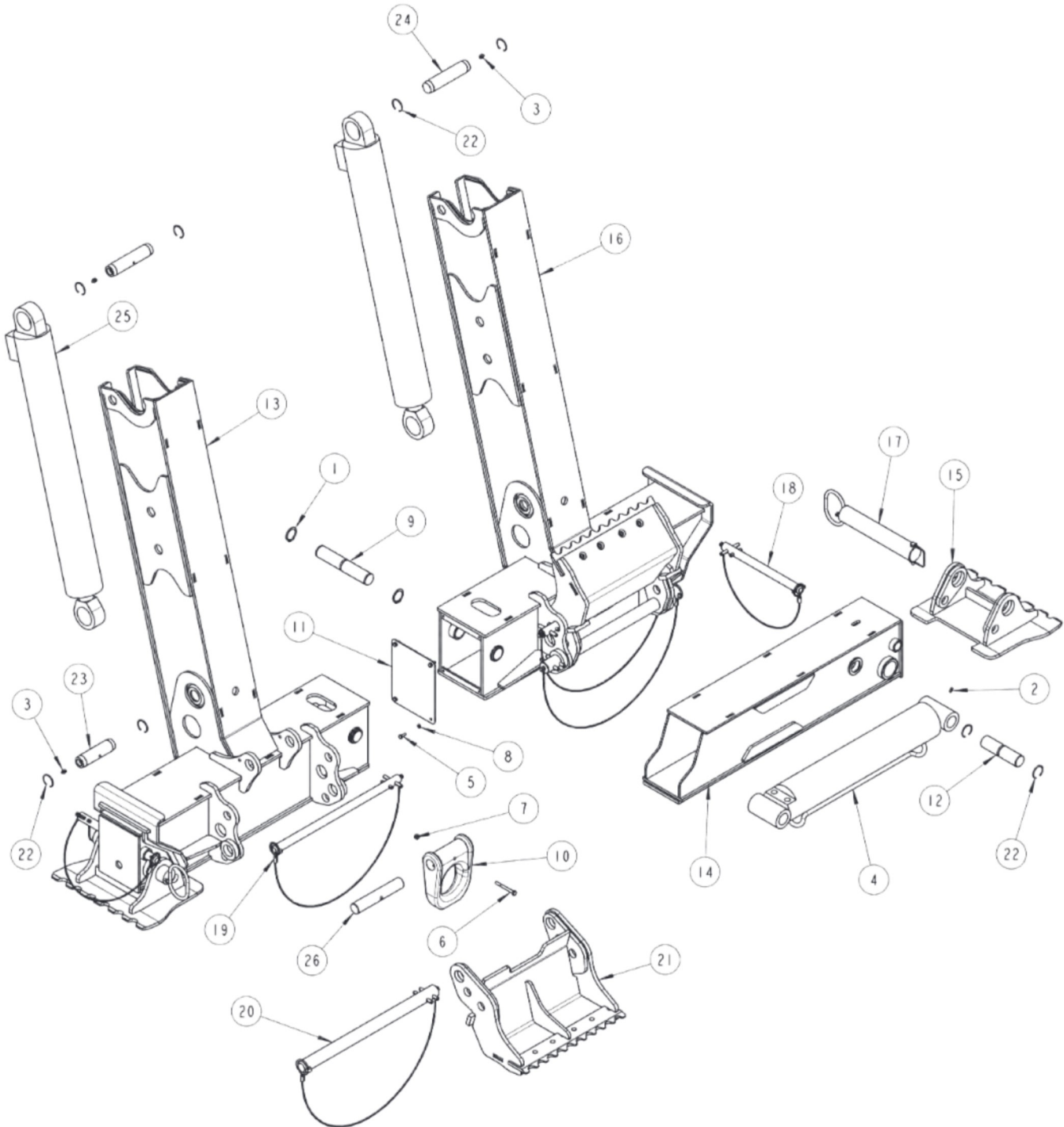
**Section I - PARTS (cont'd)**

**JACKLEG ASSEMBLY W/ FLIPPER FEET**

ITEM	PART NUMBER	DESCRIPTION	QTY
1	0300113	GREASE FITTING, 1/4-28 STRAIGHT	4
2	0301895	GREASE FITTING, 1/8 NPT STRAIGHT	6
3	0310121	RETAINING RING, 1-1/2"	8
4	0400416	1/2-13 NYLOCK HEX NUT GR.8, ZP	14
5	0400497	1/2 FLAT WASHER GR 8 ZP	14
6	0400568	3/8 X 3 ROLL PIN ZP	2
7	0400774	1/2-13 X 1 FLAT HEAD SOCKET CAP SCR	14
8	0719585	"D" RING - TOWING	2
9	0807725	LH JACK LEG WELDMENT	1
10	0807726	RH JACK LEG WELDMENT	1
11	9054150	SNAP RING, 1-1/4" NOM INTERNAL	8
12	920900007	PIN, LOWER STIFFLEG CYLINDER	2
13	930230101	PIN - SWIVEL PADS	4
14	930230103	PIN - D RING - INNER LEG FLIPPER TYPE	2
15	930232000	FLIPPER PAD WELDMENT -INNER LEG (LH)	1
16	930232005	BLADE FLIPPER PAD WELDMENT	2
17	930233000	PIN ASSEMBLY, LOCK FLIPPER FEET	2
18	930239000	FLIPPER PAD WELDMENT -INNER LEG (RH)	1
19	930350001	PIN, UPPER STIFFLEG	2
20	945720000	STIFF LEG CYLINDER - 45	2
21	HD1259	PIN, SAFETY SNAP	2

Section I - PARTS (cont'd)

REAR OUTRIGGER OPTION



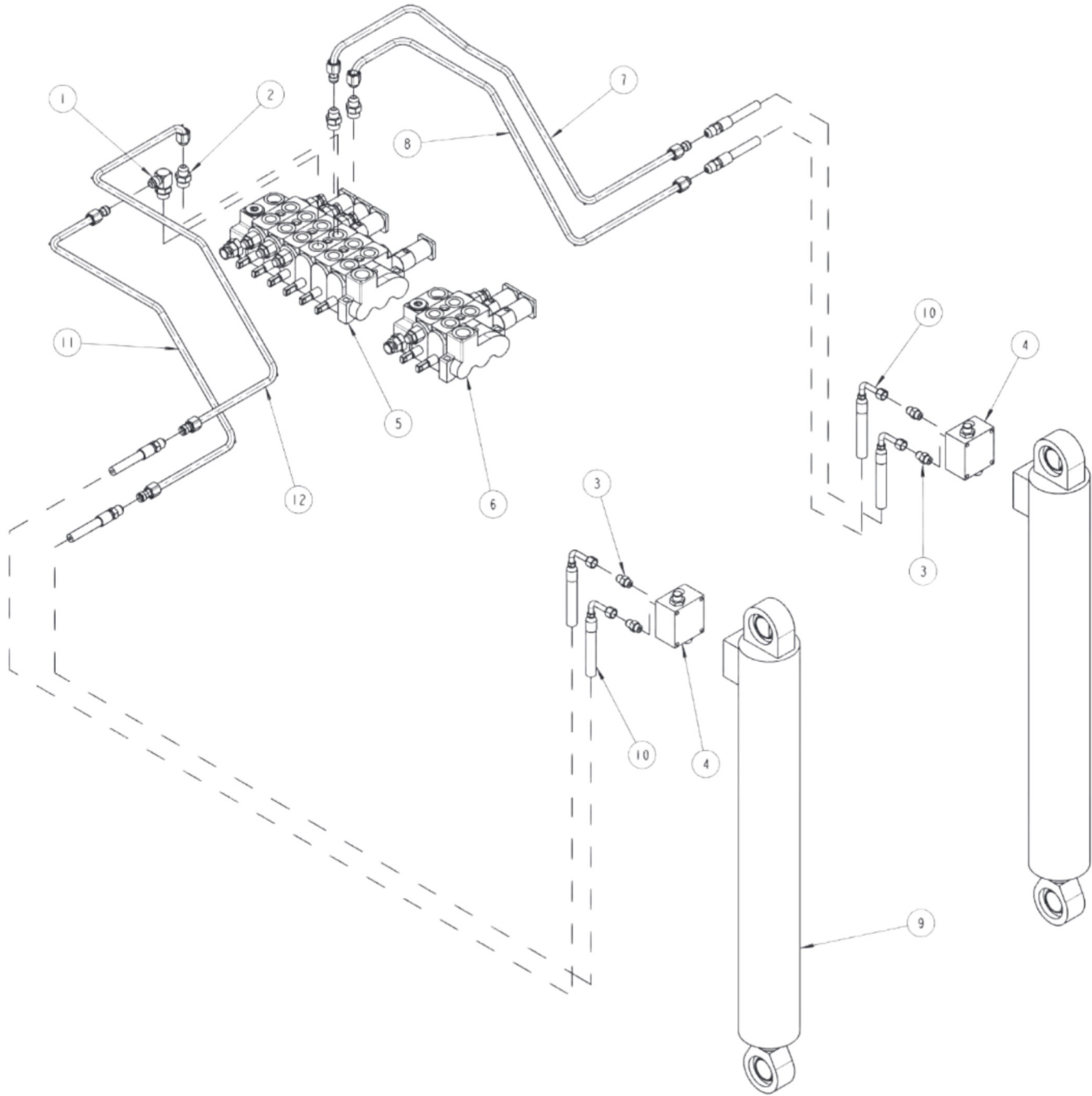
## Section I - PARTS (cont'd)

### REAR OUTRIGGER OPTION

ITEM	PART NUMBER	DESCRIPTION	QTY
1	0300109	RETAINING RING, 1-1/2"	4
2	0300113	GREASE FITTING, 1/4-28 STRAIGHT	2
3	0301895	GREASE FITTING, 1/8 NPT STRAIGHT	6
4	0310145	CYLINDER ASSEMBLY	2
5	0400066	1/4-20 X 3/4 HHCS GR.5,ZP	16
6	0400114	5/16-18 X 3 HHCS GR 5 ZP	2
7	0400382	5/16-18 NYLOCK HEX NUT ZP	2
8	0400452	1/4 HELICAL LOCK WASHER ZP	16
9	0719540	PIN - EXTEND CYLINDER (BASE END)	2
10	0719585	"D" RING - TOWING	2
11	0724617	PLATE - OUTRIGGER COVER	2
12	0724635	PIN - EXTEND CYLINDER	2
13	0810030	LH REAR OUTER OUTRIGGER	1
14	0810033	REAR INNER OUTRIGGER WELD'T	2
15	0810035	REAR OUTRIGGER PAD WELDMT	2
16	0810047	RH REAR OUTER OUTRIGGER	1
17	0906963	PIN REAR OUTRIGGER PAD ASSY	2
18	0911122	RETAINER PIN ASSEMBLY	2
19	0911123	RETAINER PIN ASSEMBLY	2
20	0911124	RETAINER PIN ASSEMBLY	2
21	0911167	SPADE WELDMENT - REAR OUTRIGGER	2
22	9054150	SNAP RING, 1-1/4" NOM INTERNAL	12
23	920900007	PIN, LOWER STIFFLEG CYLINDER	2
24	930350001	PIN, UPPER STIFFLEG	2
25	945720000	STIFF LEG CYLINDER - 45	2
26	GA0215	PIN, D RING	2

Section I - PARTS (cont'd)

JACKLEG HYDRAULICS



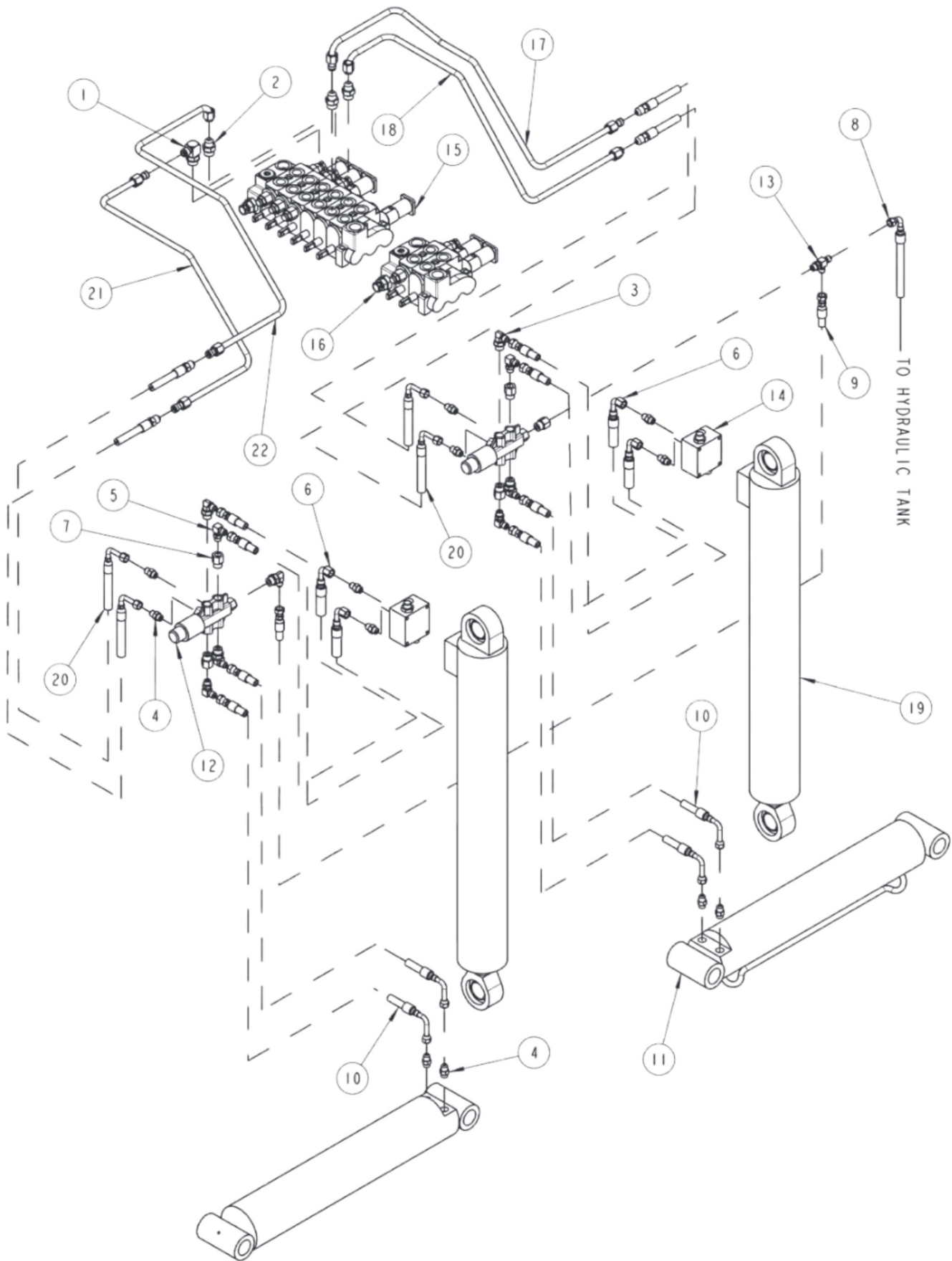
## Section I - PARTS (cont'd)

### JACKLEG HYDRAULICS

ITEM	PART NUMBER	DESCRIPTION	QTY
1	0300052	ELBOW, 8MJ-10MB90	1
2	0301376	CONNECTOR 8MJX10MB	3
3	0301522	CONNECTOR 6MJ-6MB	4
4	9015738	HOLDING VALVE	2
5	9016021	VALVE 6 SPOOL	1
6	9016022	VALVE 2 SPOOL	1
7	930760010	HYDRAULIC TUBE ASSEMBLY	1
8	930760011	HYDRAULIC TUBE ASSEMBLY	1
9	945720000	STIFF LEG CYLINDER	2
10	945770003	HOSE ASSEMBLY - STIFFLEG CYLINDER	4
11	946760008	HYDRAULIC TUBE ASSEMBLY	1
12	946760009	HYDRAULIC TUBE ASSEMBLY	1

Section I - PARTS (cont'd)

OUTRIGGER HYDRAULICS





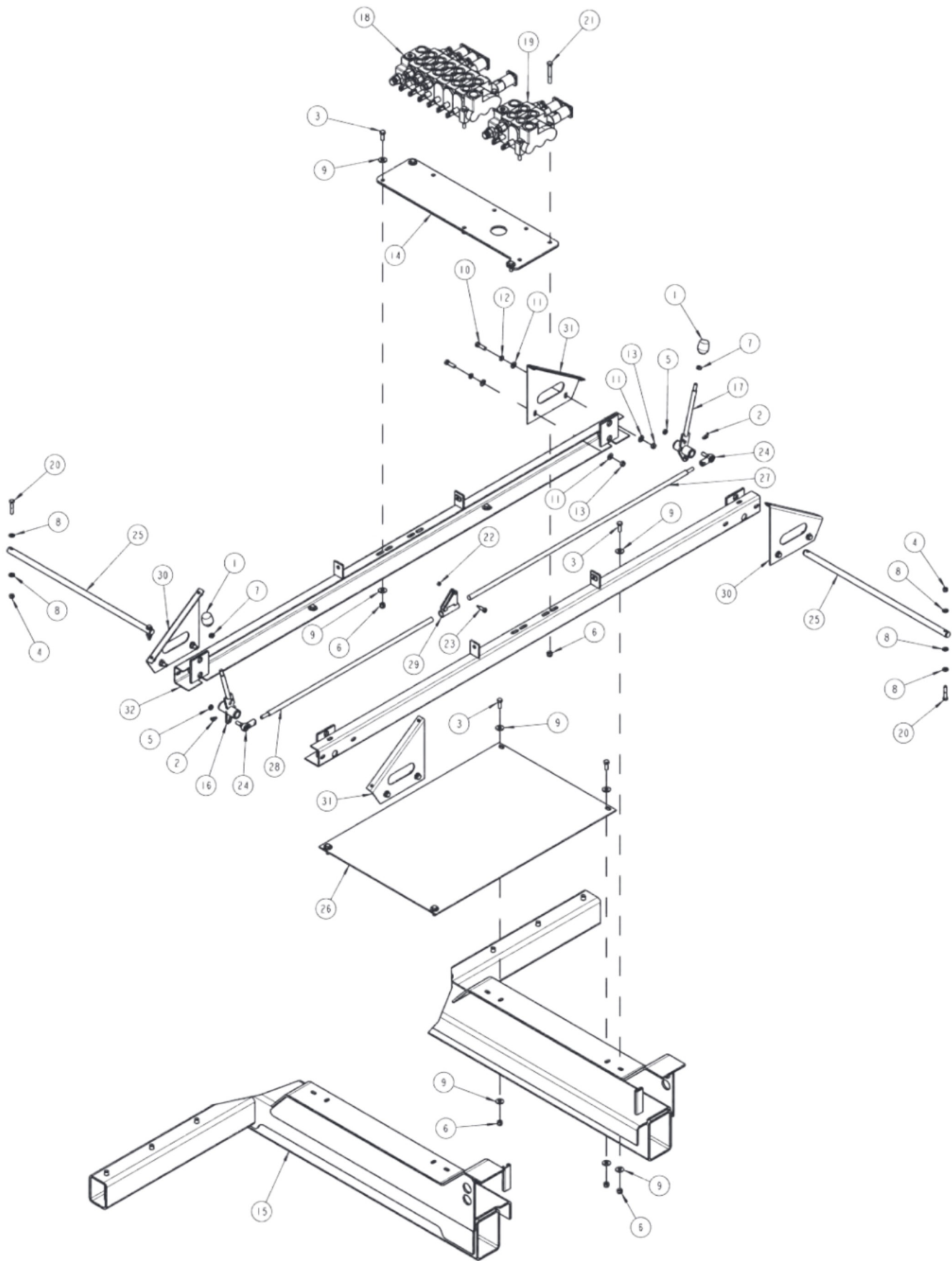
## Section I - PARTS (cont'd)

### OUTRIGGER HYDRAULICS

ITEM	PART NUMBER	DESCRIPTION	QTY
1	0300052	ELBOW, 8MJ-10MB90	1
2	0301376	CONNECTOR 8MJX10MB	3
3	0301470	FITTING - HYDRAULIC ELBOW 6MJ-8MB90	5
4	0301522	CONNECTOR 6MJ-6MB	12
5	0301620	FITTING, ELBOW, 6MJ-6MB90	4
6	0301998	HOSE HYD, 24" LG	4
7	0303017	CONNECTOR 8MBX6FB	5
8	0303170	HOSE ASSY - 75" LG.	1
9	0303185	HOSE ASSY - 66" LG.	1
10	0307525	HOSE ASSY - 120" LG	4
11	0310145	CYLINDER ASSEMBLY	2
12	0310881	6 WAY DIVERTER VALVE	2
13	9012594	FITTING, HYD RUN TEE, 6MJ-6MB-6MJ	1
14	9015738	HOLDING VALVE	2
15	9016021	VALVE 6 SPOOL	1
16	9016022	VALVE 2 SPOOL	1
17	930760010	HYDRAULIC TUBE ASSEMBLY	1
18	930760011	HYDRAULIC TUBE ASSEMBLY	1
19	945720000	STIFF LEG CYLINDER	2
20	945770003	HOSE ASSEMBLY - STIFFLEG CYLINDER	4
21	946760008	HYDRAULIC TUBE ASSEMBLY	1
22	946760009	HYDRAULIC TUBE ASSEMBLY	1

# Section I - PARTS (cont'd)

## DUAL CONTROL ASSEMBLY



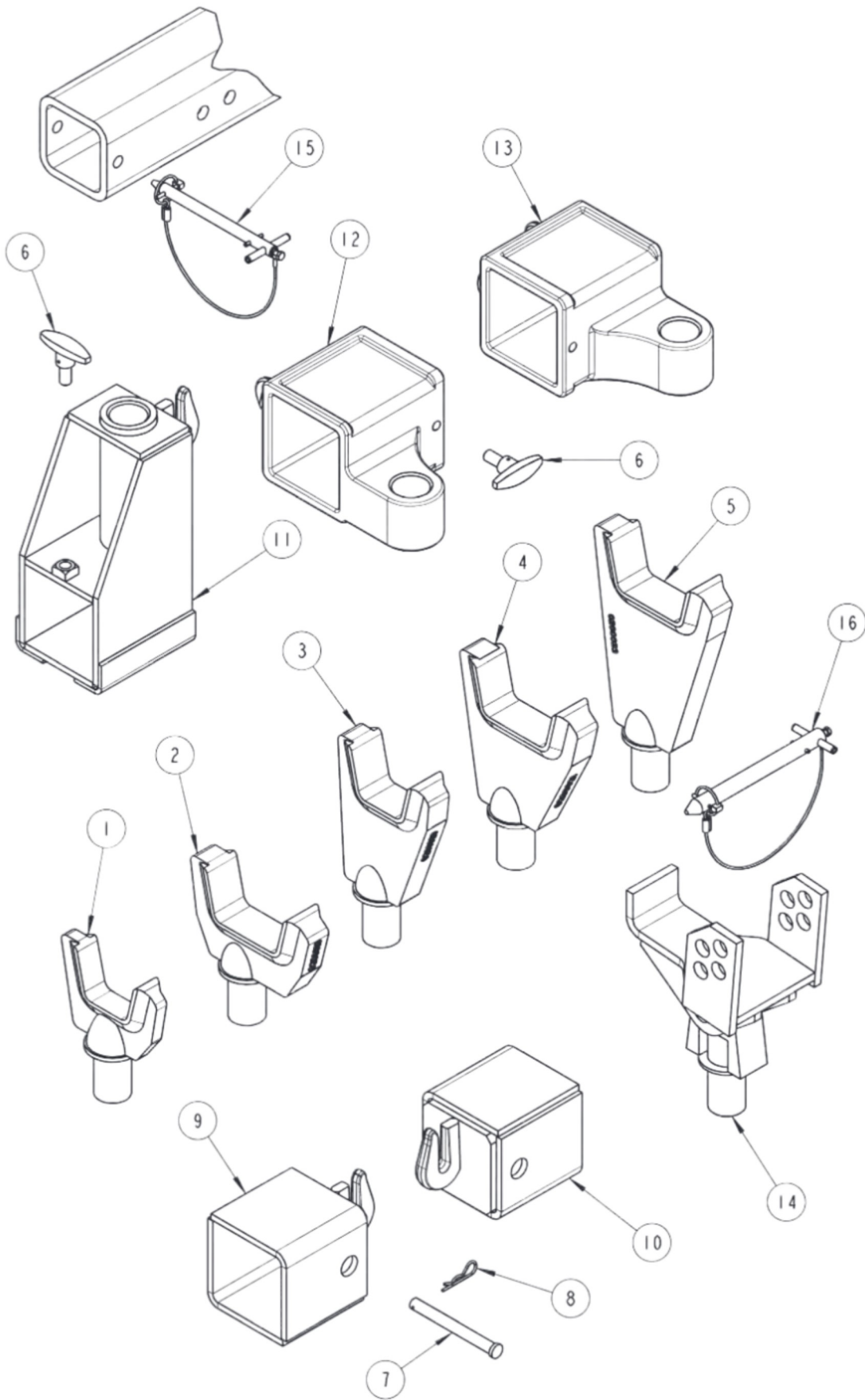
## Section I - PARTS (cont'd)

### DUAL CONTROL ASSEMBLY

ITEM	PART NUMBER	DESCRIPTION	QTY
1	0300341	KNOB, BLACK (BLANK)	16
2	0302726	GREASE FITTING, 1/4"-28 X 45°	16
3	0400126	3/8-16 X 1 HHCS GR.5,ZP	11
4	0400382	5/16-18 NYLOCK HEX NUT ZP	4
5	0400387	3/8-24 HEX JAM NUT ZP	16
6	0400392	3/8-16 NYLOCK HEX NUT ZP	17
7	0400393	3/8"-16 HEX JAM NUT	16
8	0400463	5/16 FLAT WASHER ZP	12
9	0400480	3/8 FLAT WASHER ZP	22
10	0402043	3/8-16 X 1-1/4 HHCS SS	8
11	0402120	3/8 FLATWASHER 316 SS	16
12	0402121	3/8 LOCKWASHER 316 STAINLESS	8
13	0402122	HEX NUT 316 STAINLESS	8
14	0723377	D.C.V. MTG. PLATE	1
15	0810080	NV-50 SUBFRAME	1
16	0907441	CONTROL HANDLE ASSY	8
17	0907442	CONTROL HANDLE ASSY	8
18	9016021	VALVE 6 SPOOL	1
19	9016022	VALVE 2 SPOOL	1
20	9041108	5/16-18 X 1-3/4 HHCS GR 8 ZP	4
21	9041212	3/8-16 X 2-3/4 LG. HHCS GR.8	6
22	9043371	3/8-16 NYLOCK HEX NUT ZP	8
23	9043713	M8 X 20 SOCKET SHOULDER BOLT	8
24	9048513	SPHERICAL ROD END	16
25	930400001	PIVOT PIN	2
26	930400009	PLATE- BOTTOM	1
27	930400012	RH CONTROL ROD (SHORT)	8
28	930400013	LH CONTROL ROD (SHORT)	8
29	930402600	SHORT LUG WELDMENT	8
30	942480300	LH MTG ANGLE WELDMENT	2
31	942487300	RH MTG ANGLE WELDMENT	2
32	946400600	CHANNEL WELDMENT	2

Section I - PARTS (cont'd)

LIFT ADAPTERS



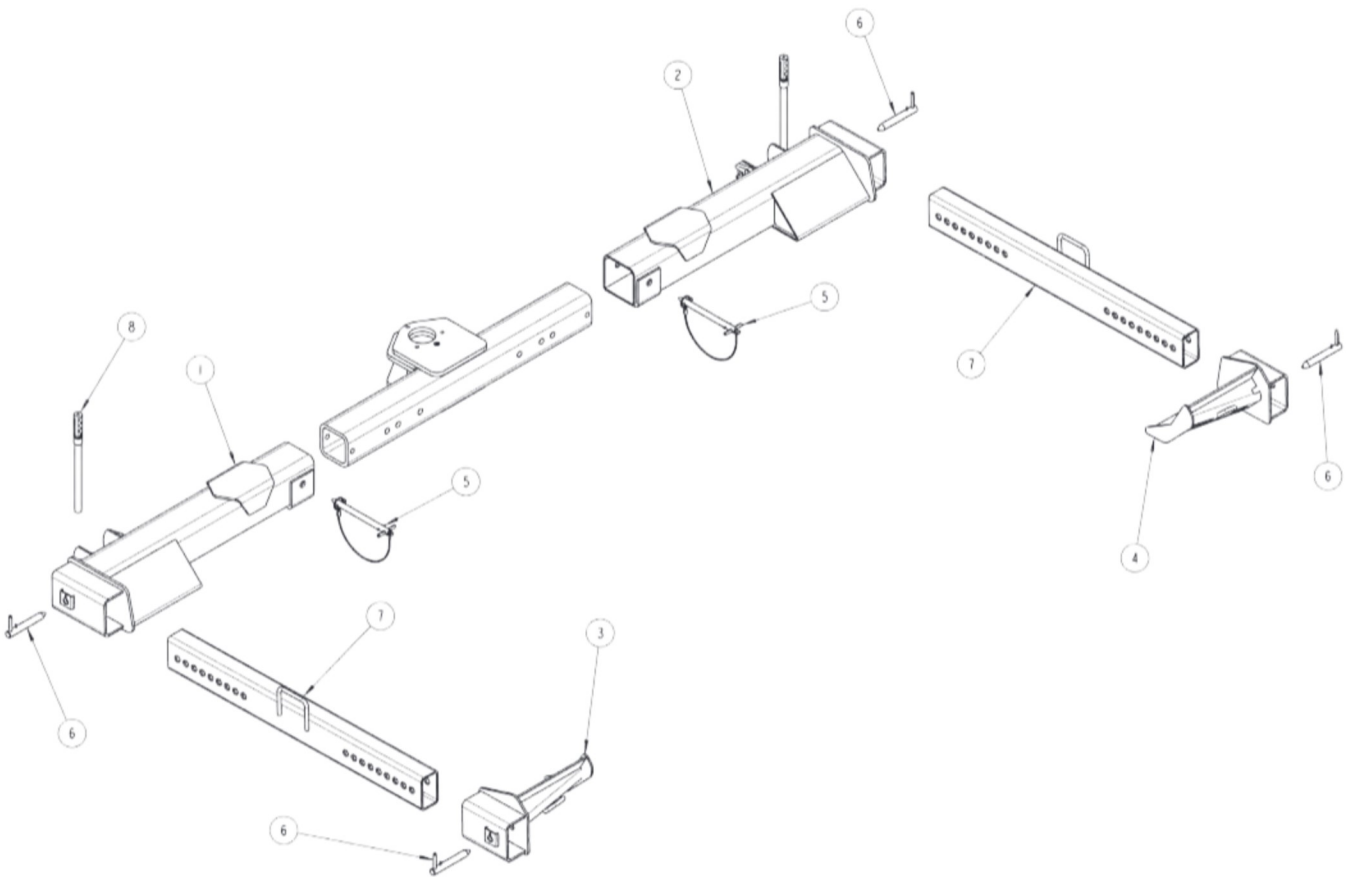
## Section I - PARTS (cont'd)

### LIFT ADAPTERS

ITEM	PART NUMBER	DESCRIPTION	QTY
1	0200018	FORK, SHORT (3" OPENING)	2
2	0200019	FORK, SHORT (3" OPENING)	2
3	0200020	FORK, MEDIUM (3" OPENING)	2
4	0200021	FORK, MEDIUM (3" OPENING)	2
5	0200023	FORK, LONG (3" OPENING)	2
6	0306564	T HANDLE	4
7	0310230	CLEVIS PIN, 5/8 X 6 ZP	2
8	0400886	COTTER PIN, 1-1/4" HAIR PIN	2
9	0801186	CHAIN ADAPTER, RIGHT	1
10	0801187	CHAIN ADAPTER, LEFT	1
11	0801459	RISER BRACKET, HDU	2
12	0803591	LH OFFSET FORK RECIEVER	1
13	0803592	RH OFFSET FORK RECIEVER	1
14	0807023	PIVOT SPRING LIFT BRACKET, EXTRA WIDE	2
15	0900900	RETAINING PIN ASSEMBLY	2
16	0908672	RETAINING PIN, SPRING LIFT	2

Section I - PARTS (cont'd)

5X5 BUS LIFT ASSEMBLY



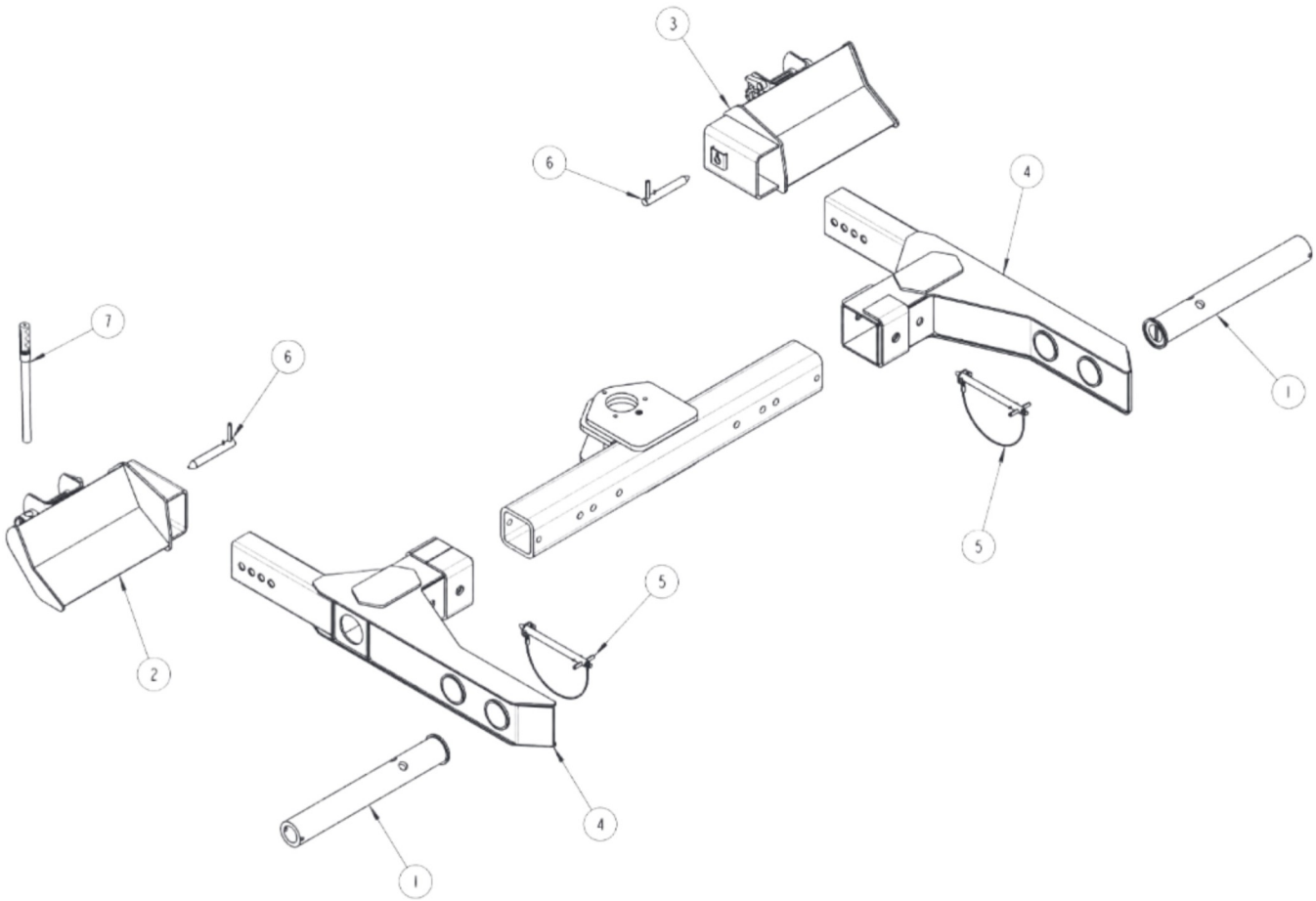
# Section I - PARTS (cont'd)

## 5X5 BUS LIFT ASSEMBLY

ITEM	PART NUMBER	DESCRIPTION	QTY
1	0804491	OUTER CROSSTUBE-WELDMENT-LH 5"	1
2	0804492	OUTER CROSSTUBE-WELDMENT-RH 5"	1
3	0804495	SUPPORT - TIRE WELDMENT-LH	1
4	0804496	SUPPORT - TIRE WELDMENT-RH	1
5	0902947	PIN- RETAINER ASSY	2
6	0903089	PIN-RETAINER ASSY	4
7	0903480	TUBE - ADJUSTMENT & DECAL	2
8	945520100	RATCHET HANDLE ASSY - BUS LIFT	1
9	945525000	BUS LIFT WHEEL STRAP ASSY (NS)	1

Section I - PARTS (cont'd)

EURO BUS LIFT ASSEMBLY





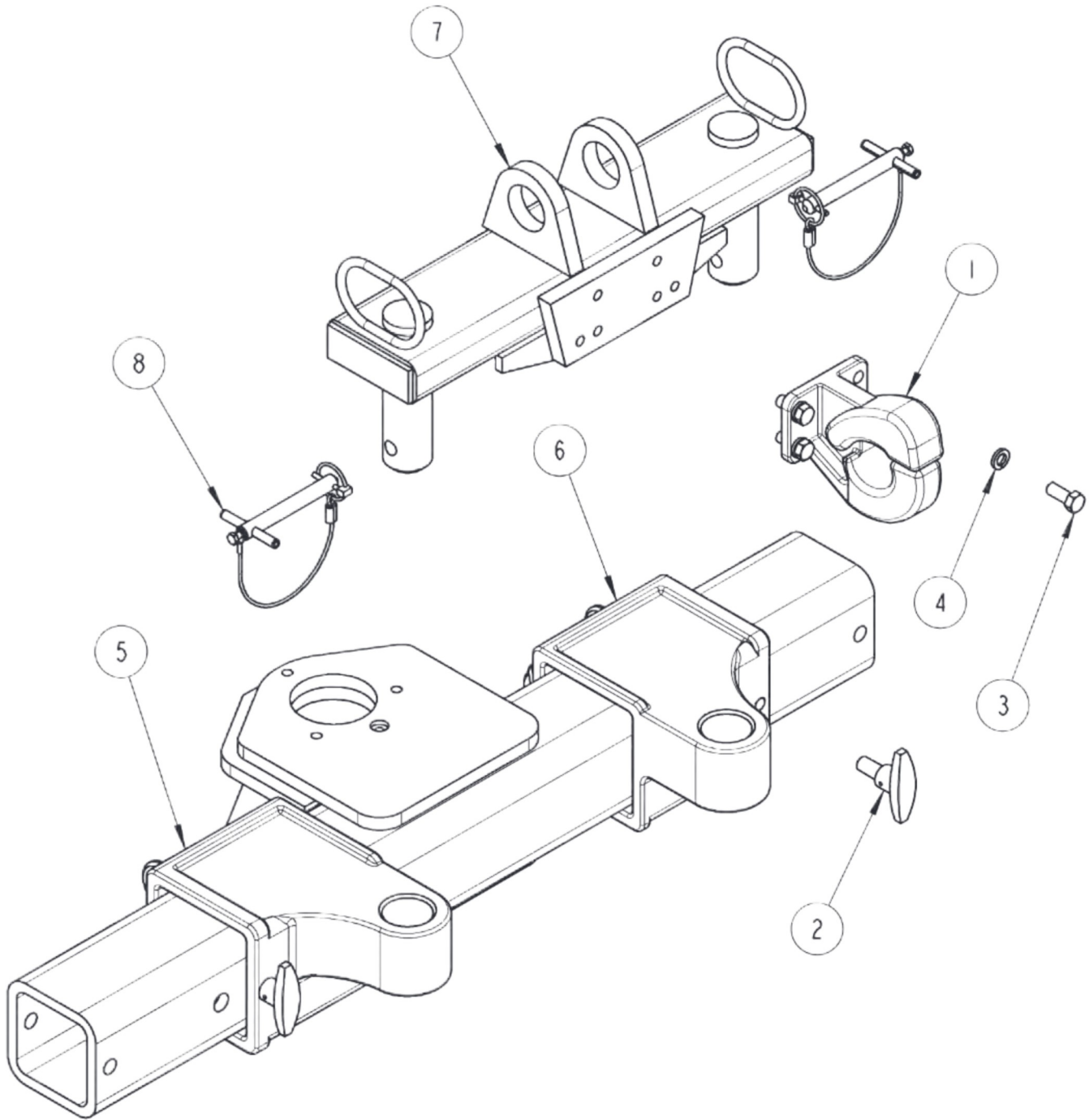
## Section I - PARTS (cont'd)

### EURO BUS LIFT ASSEMBLY

ITEM	PART NUMBER	DESCRIPTION	QTY
1	0804499	TIRE SUPPORT TUBE WELDMENT	2
2	0804501	SUPPORT - TIRE WELDMENT-LH	1
3	0804502	TIRE SUPPORT PLATE ASSY (RH)	1
4	0805974	ARM WELDMENT	2
5	0902947	PIN- RETAINER ASSY	2
6	0903089	PIN-RETAINER ASSY	2
7	945520100	RATCHET HANDLE ASSY - BUS LIFT	1
9	945525000	BUS LIFT WHEEL STRAP ASSY (NS)	1

Section I - PARTS (cont'd)

PINTLE HOOK ADAPTER



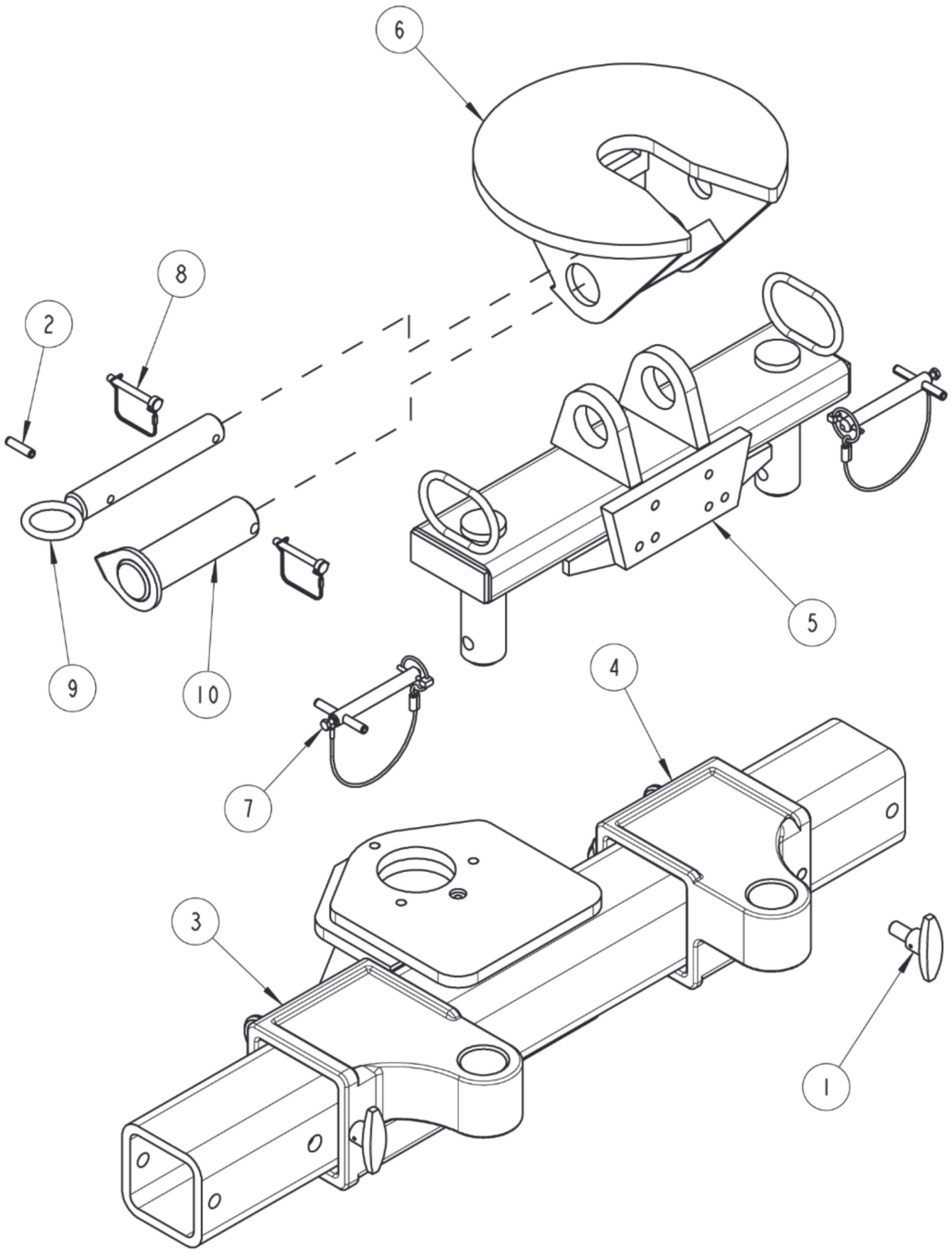
# Section I - PARTS (cont'd)

## PINTLE HOOK ADAPTER

ITEM	PART NUMBER	DESCRIPTION	QTY
1	0302198	PINTLE HOOK	1
2	0306564	T HANDLE	2
3	0400177	1/2-13 X 1 1/4 HHCS GR 5, ZP	4
4	0400491	1/2 HELICAL LOCK WASHER ZP	4
5	0803591	LH OFFSET FORK RECIEVER	1
6	0803592	RH OFFSET FORK RECIEVER	1
7	0803831	5TH WHEEL & KING PIN ADAPTER	1
8	0902378	RETAINER PIN ASSEMBLY, 3224	2

Section I - PARTS (cont'd)

5TH WHEEL ADAPTER



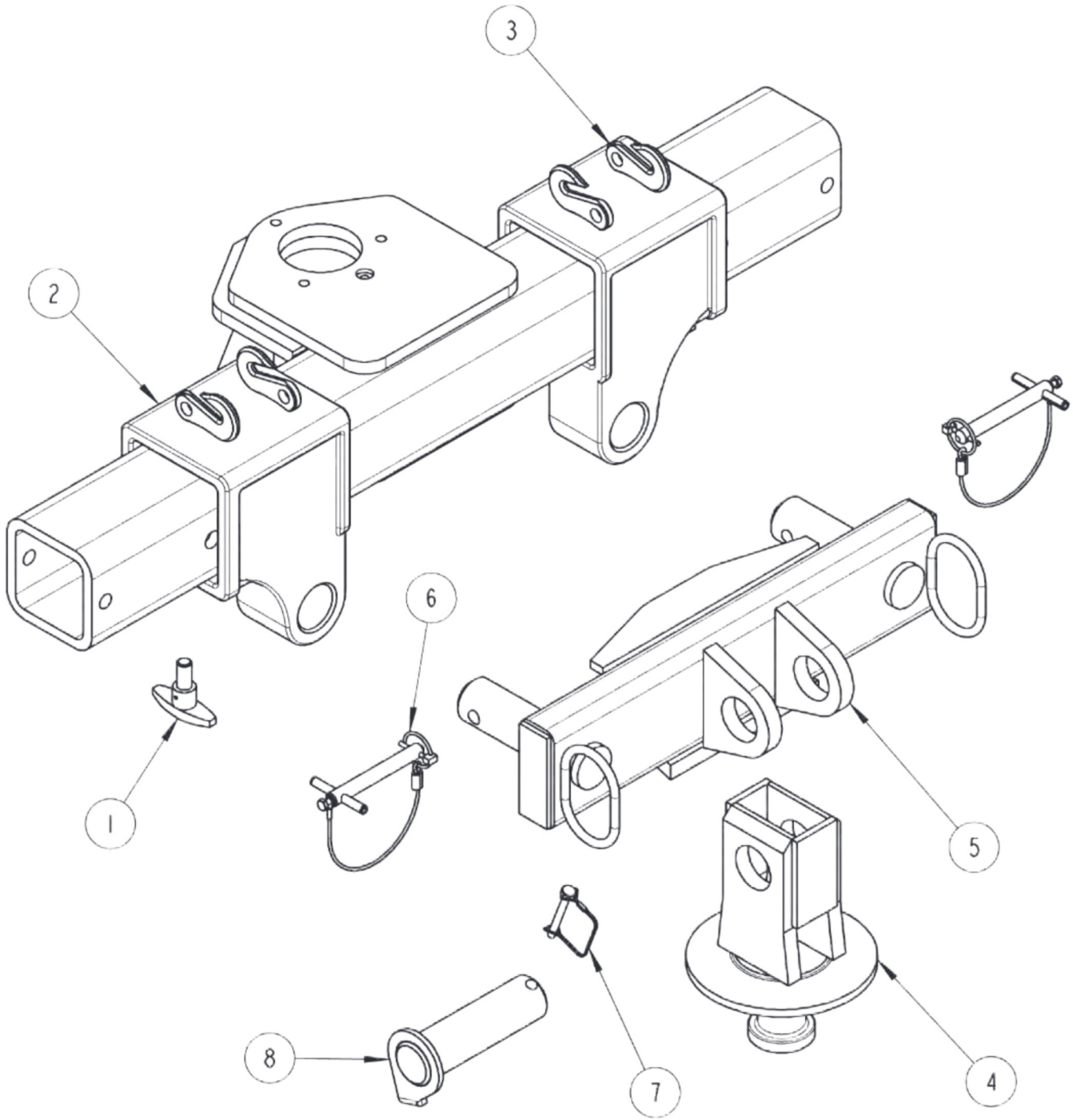
## Section I - PARTS (cont'd)

### 5TH WHEEL ADAPTER

ITEM	PART NUMBER	DESCRIPTION	QTY
1	0306564	T HANDLE	2
2	0400555	3/8 X 1-1/2 ROLL PIN ZP	1
3	0803591	LH OFFSET FORK RECIEVER	1
4	0803592	RH OFFSET FORK RECIEVER	1
5	0803831	5TH WHEEL & KING PIN ADAPTER	1
6	0804053	5TH WHEEL PIVOT PLATE WELDMENT	1
7	0902378	RETAINER PIN ASSEMBLY, 3224	2
8	HD1259	PIN, SAFETY SNAP	2
9	VA0661	PULL PIN WELDMENT	1
10	VA0662	PIVOT PIN WELDMENT	1

Section I - PARTS (cont'd)

KING PIN ADAPTER



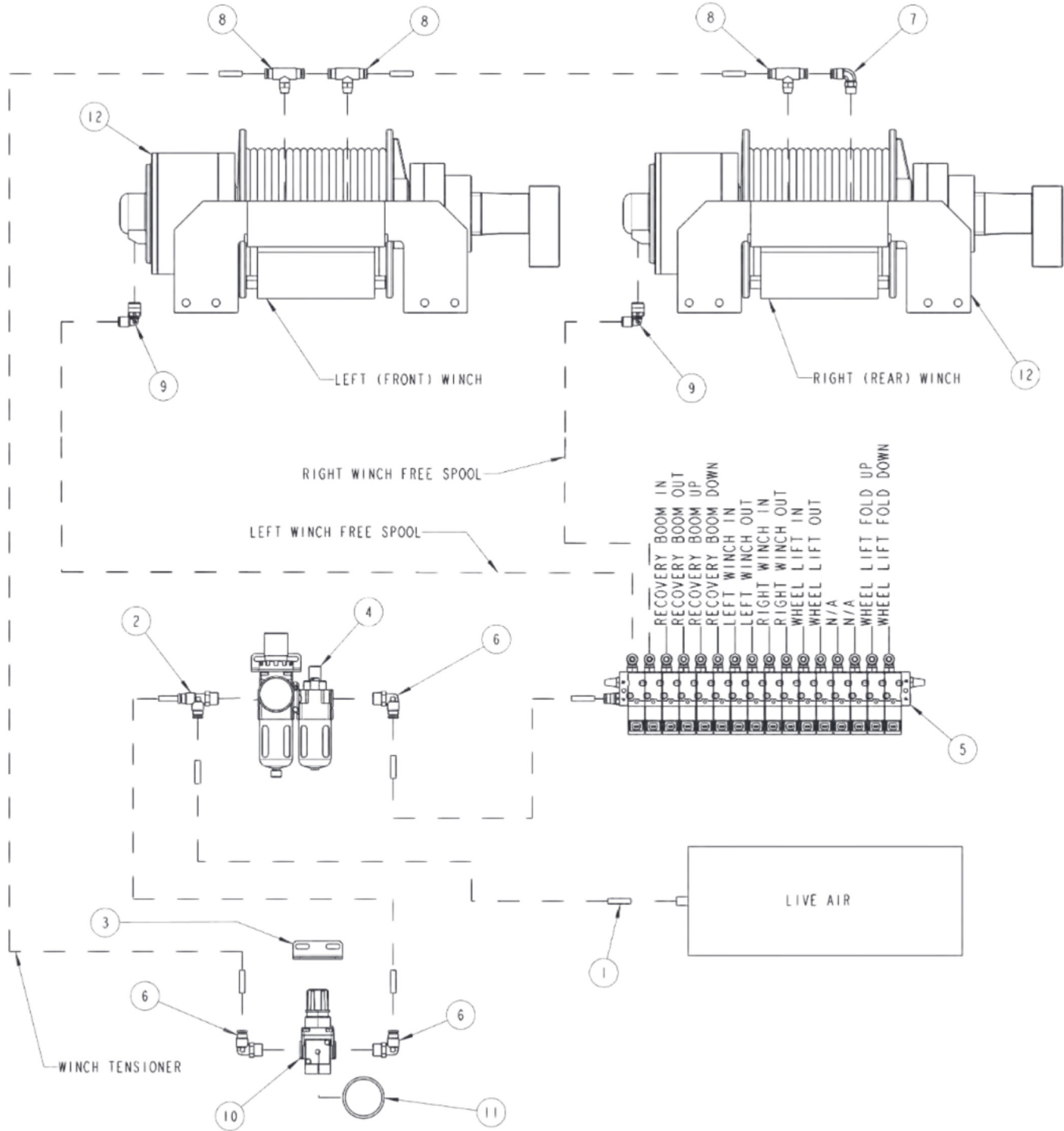
## Section I - PARTS (cont'd)

### KING PIN ADAPTER

ITEM	PART NUMBER	DESCRIPTION	QTY
1	0306564	T HANDLE	2
2	0803591	LH OFFSET FORK RECIEVER	1
3	0803592	RH OFFSET FORK RECIEVER	1
4	0803605	ADAPTER - KINGPIN WELDMENT	1
5	0803831	5TH WHEEL & KING PIN ADAPTER	1
6	0902378	RETAINER PIN ASSEMBLY, 3224	2
7	HD1259	PIN, SAFETY SNAP	1
8	VA0662	PIVOT PIN WELDMENT	1

# Section I - PARTS (cont'd)

## AIR SYSTEM





## Section I - PARTS (cont'd)

### AIR SYSTEM

ITEM	PART NUMBER	DESCRIPTION	QTY
1	0301577	TUBING- PLASTIC 1/4 OD X 5" AIR LINE	220 FT
2	0306983	MALE RUN TEE, 1/4T-1/4NPT MALE	1
3	0311365	BRACKET	2
4	0909085	KIT, AIR FLR/REG/LUBE COMBO 1/4	1
5	0910536	MNFLD PKG 16 VALVE 24VDC	1
6	9010520	ELBOW, 1/4T-1/4NPT MALE	3
7	9012537	ELBOW, 1/4 NPT X 3/8 TUBE 90	1
8	9012575	TEE FITTING AIR 1/4T-1/4T-1/8 MPX	3
9	9012623	ELBOW, 1/4 TUBE X 1/4 NPT 90	2
10	HA0131	AIR FILTER / REGULATOR COMBO	1
11	HA0132	GAUGE- AIR FILTER/REGULATOR	2
12	0303505	WINCH DP 2-SPD S50-50K	2



## Section II - PARTS LIST

### V-100 2-STAGE W/STD STINGER

ITEM	PART NUMBER	DESCRIPTION	QTY
--	125100200	V-100 2-STG, STD STINGER	
1	0910998	BUA, V-100, STD STINGER	1
2	0911031	SHIP KIT, V-100	1
--	0910998	BUA, V-100, STD STINGER	
3	0910786	STINGER ASSY - STD - 114"	1
4	0911008	SUBFRAME ASSY V-100	1
5	0911011	RECOVERY BOOM INSTALL V100 2-S	1
--	0910786	STINGER ASSY - STD - 114"	
6	0300113	GREASE FITTING,1/4-28 STRAIGHT	4
7	0301895	GREASE FITTING,STR 1/8 PTF	4
8	0303193	BLACK SKUFF JACKET SJ16	19
9	0400134	3/8-24X3/4 FLTHDSKTSCR	3
10	0400176	1/2-13X1 HHCS GR5 ZP	1
11	0400177	1/2-13X1.25 HHCS GR5 ZP	1
12	0400248	5/8-11X1HHCS GR 8 ZP	1
13	0400491	1/2" HCL LKWSHR ZP	2
14	0400492	1/2" FLATWASHER ZP	2
15	0400505	5/8" SAE WASHER	2
16	0400508	5/8" HELICAL LCKWSHR ZP	10
17	0400594	1/4-20X5/8 SOC FLT HD	8
18	0723463	PLATE, PAD RETAINER	1
19	0723476	PLATE, PAD RETAINER	1
20	0724348	PIN, EXT CYL REAR MTG -STINGER	1
21	0807763	1ST STAGE STINGER WELD'T 116"	1
22	0807765	FOLDING BOOM WELD'T 116"	1
23	0810009	2ND STAGE STINGER - 116"	1
24	124004468	ALUM HEEL PLATE 12" 9055 VULCN	1
25	9012510	CONNECTOR 6SAE MALE-3/8	2
26	9040602	5/8NC X 1 1/4 HHCS GR 8	1
27	9044170	1-8X1-1/2 SOC SET SCREW	1
28	9044471	5/8-18 X 1 1/4 HHCS PL GR8	8
29	9046315	3/16 DIAX1 3/4LG ROLL PI	2
30	9046625	7/8X6 1/2 LG HITCH PIN	1
31	9054150	1 1/2 INT. RET. RING (C	1
32	915760022	HYD.TUBE 3/8 STINGER EX	1
33	915760023	HYD.TUBE 3/8 STINGER EX	1
34	916770001	HOSE- HYD. 3/8 - 105" 8MJ-6MFA	2
35	924902000	LOWER PIN WELD'T	1
36	930150001	STOP PAD (FOLDING BOOM)	4
37	930150002	SPACER (1ST STAGE STINGE	1
38	930150003	TOP PADS	4
39	930150004	BOTTOM PADS	4
40	930150011	PIN (CYL STIFFENER PLATE	1
41	930152000	FRONT MTG. PIN WELD'T	1
42	930770500	TWIN CYL. ARRANGEMENT WELD-ON	1
43	930901500	SHAFT WELD'T - FOLD.BOOM PIVOT	1
44	945300000	PIVOT FOOT WELDMENT	1
45	945351000	SHAFT WELDT-FOLDING BOOM PIVOT	1

## Section II - PARTS LIST (cont'd)

### V-100 2-STAGE W/STD STINGER (cont'd)

ITEM	PART NUMBER	DESCRIPTION	QTY
--	0910786	STINGER ASSY - STD - 114" (cont'd)	
46	946750000	TILT CYLINDER 6 DIA	1
--	124004468	ALUM HEEL PLATE 12" 9055 VULCN	
47	0400155	3/8-16X3/4 FHSCS ZP	6
48	0724687	U/L HEEL PLATE-9055	1
--	0911008	SUBFRAME ASSY V-100	
49	0300649	UNION, STRAIGHT 12MJ - 12MJ	2
50	0300865	FITTING, CONNECTOR 8MJ-8MJ	4
51	0301522	FITTING, CONN. 6MJ-6MB	7
52	0301577	1/4 OD PLASTIC AIRLINE, BLACK	222
53	0301620	FITTING, HYD. 6MJ - 6MB90	1
54	0301895	GREASE FITTING,STR 1/8 PTF	6
55	0302275	FITTING, CONN 8MJ-6MB W/STEP	5
56	0302276	FITTING, ELB 90 DEG	1
57	0302696	FITTING, CONNECTOR	2
58	0302726	GREASE FITTING, 1/4-28 X 45DEG	16
59	0303193	BLACK SKUFF JACKET SJ16	75
60	0303394	HOSE HYD, 46"	4
61	0307003	FITT, HYD UNION 10MJ-10MJ	6
62	0311189	HITCH PIN 1/4" DIA.	2
63	0400002	4X1/4 DRIVE SCREW RD HD	4
64	0400066	1/4-20X3/4 HHCS GR5 ZP	6
65	0400109	5/16-18X1 HHCS GR5 ZP	4
66	0400114	5/16-18X3 HHCS GR5 ZP	2
67	0400126	3/8-16X1 HHCS GR5 ZP.	22
68	0400128	3/8-16X1.25 FLAT HD SOC	12
69	0400149	3/8-16 X 5/8 HHCS GR5 ZP	3
70	0400176	1/2-13X1 HHCS GR5 ZP	14
71	0400205	1/2-13X3 HHCS GR5 ZP	1
72	0400306	7/8-9X3HHCS GR 8 GOLD	18
73	0400393	3/8-16 HEX NUT JAM ZP	16
74	0400437	7/8-9 NYLOK HEX GR 8 ZP	18
75	0400452	1/4" HELICAL LCKWASHR ZP	16
76	0400463	5/16" FLATWASHER ZP.	8
77	0400482	3/8" HELICAL LCKWSHR - ZP	3
78	0400491	1/2" HCL LKWSHR ZP	10
79	0400492	1/2" FLATWASHER ZP	6
80	0400508	5/8" HELICAL LCKWSHR ZP	2
81	0400776	5/16-18 HEX NUT JAM NYLOK ZP	2
82	0501420	PLATE - SERIAL/DATA (V-70)	1
83	0719585	D-RING, TOWING	4
84	0724349	PLATE, JACK LEG COVER	2
85	0724499	PIN - UPPER JACK LEG CYL	2
86	0724500	PIN - LOWER JACK LEG CYL	2
87	0807731	SUBFRAME WELD'T, V-70, V-100	1
88	0810005	PIN - FORK RETAINING	2
89	0910705	CONTROL STATION ASSY	1
90	0910757	HYD. TUBE KIT - VULCAN HD	1

## Section II - PARTS LIST (cont'd)

### V-100 2-STAGE W/STD STINGER (cont'd)

ITEM	PART NUMBER	DESCRIPTION	QTY
--	0911008	SUBFRAME ASSY V-100 (cont'd)	
91	9012515	1 1/16 -12 37 JIC PLUG	2
92	9012525	9/16 -18 37 JIC MALE PLUG	4
93	9015738	HOLDING VALVE MHB-015-L	2
94	9018241	SINGLE TUBE CLAMP-1	2
95	9018254	5/8 TUBE CLAMP SM2160-PP	12
96	9018255	1/2 TUBE CLAMP FM2127-PP	12
97	9018256	3/4 TUBE CLAMP SM3190-PP	4
98	9018271	TRANSITION BLOCK 9E0001	1
99	9041011	1/4 NC X 2 1/2 HHCS PL GR8	8
100	9041402	1/2 NC X 1 1/4 HHCS PLT GR8	5
101	9043950	5/8 NC X 1 1/2 HHCS PL GR 8	2
102	9053041	BEARING-SPHERICAL TORRIN	2
103	9054150	1 1/2 INT. RET. RING (C	8
104	915770002	8AT2(8T90S-8T90S) HCL	2
105	915770017	16R4(16MJ-16FJ) HCL	2
106	915780000	HYD TANK ASSY 3 POINT M	1
107	930020001	SPACER PLATE STIFFLEG SU	2
108	930202500	PIVOT BLOCK WELD'T	2
109	930202504	TIE PLATE - BOOM PIVOT A	2
110	930202505	WASHER PLATE - BOOM PIVO	4
111	930400009	BOTTOM PLATE - DCV DUAL	1
112	9401418	DIPSTICK WELDMENT HYDR TANK	1
113	9402970	TOOLBOX MTG. PAD	3
114	945000001	LOCK PLATE - SPHERICAL B	2
115	945020001	WASHER PLATE-LOWER LIFT	2
116	945351500	PIN WELD'T LOWER LIFT CY	2
117	945720000	STIFF LEG CYLINDER - 45/	2
118	945770003	6AT2(6T90L-8MJ) 24 HYD	4
119	946402500	COVER ASSEMBLY	1
120	946700000	45/50 BOOM LIFT CYLINDER	2
121	946770001	6AT2(6T90S-6T90S) HCL	2
122	DE1381	1/2 WASHER SAE 17/32 ID	4
123	GA0215	PIN-"D" RING	4
--	0910705	CONTROL STATION ASSY	
124	0300052	FITTING, ELB 8MJ-10MB 90	1
125	0301376	CONNECTOR 8 MJ - 10 MB	9
126	0301619	FITT, 6MJ-6MJ-6MB BRANCH TEE	2
127	0302083	16 MJ - 12 MB 90 ELBOW	2
128	0302827	FITTING, CONNECTOR 10MJ-10MB	5
129	0306984	FITT, HYD ELB 12MB-12MJ90 W/HO	2
130	0400382	5/16-18 NYLOK HEX NUT ZP	8
131	0400387	3/8-24 HEX JAM NUT ZP(DE1206)	32
133	0400392	3/8-16 NYLOK HEX NUT ZINC	40
134	0400480	3/8 FLATWASHER ZP	44
135	0723377	PLATE, DCV MTG. - VULCAN HD	1
136	0907441	CONTROL HANDLE ASSY - SHORT	8
137	0907442	CONTROL HANDLE ASSY - LONG	8
138	9010030	FITT, BRASS ELB 1/4T-1/8MPX	12

## Section II - PARTS LIST (cont'd)

### V-100 2-STAGE W/STD STINGER (cont'd)

ITEM	PART NUMBER	DESCRIPTION	QTY
--	0910705	CONTROL STATION ASSY (cont'd)	
139	9016021	VALVE 6 SPOOL 346-9206-018	1
140	9016022	VALVE 2 SPOOL 346-9202-018	1
141	9041108	5/16 NC X 1 3/4 HHCS PL GR8	4
142	9041212	3/8 NC X 2 3/4 HHCS PL GR8	6
143	9043371	6 MM LOCKNUT FOR 9043817	8
144	9043713	M8 X 20 SOC SHOULDER BOL	8
145	9048513	SPHERICAL ROD END REBPJH-	16
146	930400001	PIN - CONTROL HANDLE PIV	2
147	930400012	RH CONTROL ROD (LONG) -	8
148	930400013	LH CONTROL ROD (SHORT) -	8
149	930402600	SHORT LUG WELD'T - DUAL	6
150	930402700	LONG LUG WELD'T - DUAL C	2
151	946400600	CHANNEL WELD'T	2
152	GX263	FITTING, ELB 10MJ-10MB90	1
--	0907441	CONTROL HANDLE ASSY - SHORT	
153	0806515	CONTROL HANDLE WELD'T	1
154	9053524	BEARING BR. FLG.752 X .879X.75	2
--	0907442	CONTROL HANDLE ASSY - LONG	
155	0806531	CONTROL HANDLE WELD'T	1
156	9053524	BEARING BR. FLG.752 X .879X.75	2
--	0910757	HYD. TUBE KIT - VULCAN HD	
157	0310837	HYD TUBE ASSY, RETURN - REAR	1
158	0310838	HYD TUBE ASSY, RH WINCH - B	1
159	0310839	HYD TUBE ASSY, REAR PRESSURE	1
160	0310840	HYD TUBE ASSY, BOOM LIFT - A	1
161	0310841	HYD TUBE ASSY, BOOM LIFT - B	1
162	0310842	HYD TUBE ASSY, RH WINCH - A	1
163	930760010	TUBE, HYD 1/2 X 17 15/16 RH ST	1
164	930760011	TUBE, HYD 1/2 X 17 13/16 RH ST	1
165	946760001	TUBE, HYD 3/4 X 30 3/4 FR.VALV	1
166	946760003	TUBE, HYD 5/8 X 32 9/16 MAIN B	2
167	946760004	TUBE, HYD 1/2 X 34 7/16 ST.EXT	1
168	946760005	TUBE, HYD 1/2 X 34 7/16 ST.EXT	1
169	946760006	TUBE, HYD 1/2 X 36 1/16 ST.TIL	1
170	946760007	TUBE, HYD 1/2 X 36 1/16 ST.TIL	1
171	946760008	TUBE, HYD 1/2 LH STIFFLEG	1
172	946760009	TUBE, HYD 1/2 LH STIFFLEG B PO	1
173	946760010	TUBE, HYD 5/8 X 40 11/16 FR.WI	1
174	946760011	TUBE, HYD 5/8 X 40 11/16 FR.WI	1
175	946760012	TUBE, HYD 1" RETURN LINE FR.VA	1
176	946760016	TUBE, HYD 3/4X77 1/4 END SECTI	2
177	946760017	TUBE, HYD 5/8X80 3/8 END SECTI	6
178	946760018	TUBE, HYD 1/2X77 3/8 END SECTI	4
--	915780000	HYD TANK ASSY 3 POINT M	
179	0301611	PIPE, 1-1/4 SCH40 BLK	2

## Section II - PARTS LIST (cont'd)

### V-100 2-STAGE W/STD STINGER (cont'd)

ITEM	PART NUMBER	DESCRIPTION	QTY
--	915780000	HYD TANK ASSY 3 POINT M (cont'd)	
180	0302696	FITTING, CONNECTOR	2
181	0302699	PIPE NIPPLE - 1-1/4 X 2	2
182	0305006	FILLER CAP (GO205,FB194)	1
183	9011014	1/4NPT SOCKET STL PLUG *	1
184	9012913	MAGNETIC PIPE PLUG 3/4NP	1
185	9015571	BALL VALVE - 1 1/4 CV5	2
186	9018139	SUCT.STRAINER LHA SEH-2	2
187	9018140	OIL FILTER HEAD-LHA SP50NAHN-	2
188	9032122	GASKET, HYD. TANK COVER	1
189	9043477	5/16-18X1 SOC HD CAP SCREW	6
190	915780500	HYDRAULIC TANK WELD'T	1
191	9401408	INSPECT COVER	1
--	946402500	COVER ASSEMBLY	
192	0301851	TRIM-LOCK 150B2X1/8	5
193	9041202	3/8-16 X 5/8 HHCS PL GR8	6
194	9045057	0400482 3/8 BS LOCK WASHER	6
195	946402501	TOP PANNEL - COVER	1
196	946402600	REAR PANEL WELD'T	1
197	946402700	FRONT PANEL WELD'T	1
--	0911011	RECOVERY BOOM INSTALL V100 2-STG	
198	0301577	1/4 OD PLASTIC AIRLINE, BLACK	105
199	0310194	HARNESS, WIRING 2-SPEED	1
200	0400066	1/4-20X3/4 HHCS GR5 ZP	8
201	0400126	3/8-16X1 HHCS GR5 ZP.	4
202	0400132	3/8-16X1.5 HHCS GR5 ZP	6
203	0400392	3/8-16 NYLOK HEX NUT ZINC	12
204	0400424	5/8-18 HEX NUT ZP	2
205	0400426	5/8-11 GR 8 NYLOK NUT YZ PLT	4
206	0400452	1/4" HELICAL LCKWASHR ZP	8
207	0400482	3/8" HELICAL LCKWSHR - ZP	4
208	0400505	5/8" SAE WASHER	2
209	0911034	RECOVERY BOOM ASSY V-100 2-STG	1
210	9018255	1/2 TUBE CLAMP FM2127-PP	12
211	9041058	1/4 X 1 3/4 HHCS GR8	2
212	9043605	5/8-18 X 2 SOC HD CAP	2
213	9043975	H.H.C.SCREW 5/8N.C.X3 1/	2
214	9044409	5/8-11 X 2 1/4 HHCS PL GR8	2
215	9044434	3/8-16X1 NC FLAT SOCKET HD CAP	2
216	9048800	5/8 WELDLESS CHAIN LINK	2
217	930290001	STOP BLOCK VERT BOOM WEL	2
218	9400004	BRONZE BUSHING	2
219	945020001	WASHER PLATE-LOWER LIFT	2
220	945030007	CABLE TIE BACK SPRING-1	2
221	945040001	SPACER, MAIN BOOM PIVOT	2
222	945291500	LOWER GUIDE PAD WELD'T	2
223	945350001	PIVOT PIN, MAIN BOOM	1
224	945351500	PIN WELD'T LOWER LIFT CY	2

## Section II - PARTS LIST (cont'd)

### V-100 2-STAGE W/STD STINGER (cont'd)

ITEM	PART NUMBER	DESCRIPTION	QTY
--	0911011	RECOVERY BOOM INSTALL (cont'd)	
225	945760021	HYD TUBE UNDER BOOM STIN	4
226	946770003	HOSE ASSEMBLY - 8MJ-8MJ X 45	4
227	946770007	HOSE ASSEMBLY - 79	2
228	946770009	HOSE ASSEMBLY - 104	2
--	0911034	RECOVERY BOOM ASSY V-100 2-STG	
229	0300041	FITTING, CONNECTOR 8MJ-8MB	4
230	0300052	FITTING, ELB 8MJ-10MB 90	1
231	0301522	FITTING, CONN. 6MJ-6MB	2
232	0301696	FITTING, ELB 90 DEG 6MJ-6FJX90	2
233	0301895	GREASE FITTING,STR 1/8 PTF	6
234	0301895	GREASE FITTING,STR 1/8 PTF	7
235	0301949	3/8" OD AIRLINE,SYNFLEX HOSE	14
236	0302776	SNAP RING,EXTERNAL 2	2
237	0303505	WINCH-DP MODEL S50-50K (2)SPD	2
238	0400059	1/4-20X5/8 HHCS GR5 ZP	10
239	0400059	1/4-20X5/8 HHCS GR5 ZP	2
240	0400288	3/4-10X2.5HHCS GR 8GOLD	32
241	0400431	3/4-10 NYLOK HEX GR 8 ZP	32
242	0400492	1/2" FLATWASHER ZP	1
243	0400512	3/4 FLAT WASHER(SPECIAL)	64
244	0715517	PIN - "D"-RING OUT BOOM WELD'T	1
245	0719585	D-RING, TOWING	1
246	0724343	BAR, CABLE SUPPORT	1
247	0724344	CHANNEL, ROPE GUIDE	1
248	0806863	INNER BOOM WELDMENT V-100	1
249	0807965	WINCH MTG BRACKET	8
250	0810006	OUTER BOOM WELD'T V-100	1
251	0908425	KIT - BOOM SWIVEL	1
252	3012-793001	PLATE - LUBE MTG.	1
253	9010030	FITT, BRASS ELB 1/4T-1/8MPX	1
254	9010520	FITT, BRASS ELB 1/4T-1/4MP	2
255	9012549	CONNECTOR-MALE 3/8TUBEX1	1
256	9012552	BULKHEAD ADAPTER 1/8M-1/8F NPT	1
257	9012575	LEGRIS- 3108-56-11 1/8NP	3
258	9012584	ELBOW-1/4NPT X 3/8TUBE 9	1
259	9041403	1/2 NC X 1 1/2 HHCS PL GR8	1
260	9054200	INTERNAL RETN'G RING 2 H	2
261	9056137	RETAINING RING - 1 3/8	2
262	920110015	ROPE CATCHER	1
263	920255003	SPACER - LOCK PIN WELD'T	1
264	930250018	CABLE RETAINER OUTER BOOM	1
265	930290002	COVER PLATE VERT BOOM MA	2
266	945030001	PAD RETAINING PLATE-UPPE	1
267	945350500	PIN WELD'T-TILT CYL UPPE	1
268	945710000	RECOVERY BOOM EXTENSION CYL.	1
269	945770002	6AT2(6T90S-8MJ) HCL 48	2
270	946030004	UPPER WEAR PAD-RECOVERY	1
271	946030005	LOWER WEAR PAD-RECOVERY	1



## Section II - PARTS LIST (cont'd)

### V-100 2-STAGE W/STD STINGER (cont'd)

ITEM	PART NUMBER	DESCRIPTION	QTY
--	0911034	RECOVERY BOOM ASSY V-100 2-STG (cont'd)	
272	946032000	TOP SPIDER CLAMP WELD'T	1
273	946032500	BOTTOM SPIDER CLAMP WELD	1
274	946350001	PIN MAIN BOOM EXT CYL FR	1
275	946350002	PIN MAIN BOOM EXT CYL RE	1
276	946760200	HYD. TUBE KIT	1
277	946770006	HOSE ASSEMBLY - 62	4
278	946770008	HOSE ASSEMBLY - 116	1
--	0908425	KIT - BOOM SWIVEL	
279	0400557	1/2X1-1/4 ROLL PIN ZP	6
280	0908424	SWIVEL-BOOM ASSEMBLY	2
--	0908424	SWIVEL-BOOM ASSEMBLY	
281	0300113	GREASE FITTING,1/4-28 STRAIGHT	1
282	0300311	SHEAVE, 12-10-1BB 10	1
283	0400133	3/8-16X3 HHCS GR5 ZP	2
284	0400140	3/8-16X4 HHCS GR5 ZP	1
285	0400392	3/8-16 NYLOK HEX NUT ZINC	3
286	0700511	GUIDE, BOTTOM CABLE	2
287	0700563	SHAFT, SHEAVE	1
288	0802027	GUIDE-CABLE WELDMENT	1
289	0806862	BOOM END SWIVEL WELDMENT V-70	1
--	0911031	SHIP KIT, V-100	
290	0301215	WIRE ROPE 3/4X6X37 IWRC 250'	2
291	0303056	D GASKET- H2 ADHESIVE	8
292	0307626	SAFETY CHAIN ASY,1/2X14' GR100	2
293	0310599	CRC HD CORROSION INHIBIT SPRAY	1
294	0400128	3/8-16X1.25 FLAT HD SOC	12
295	0501128	V-90/V-100 OWNERS MANUAL	1
296	0723437	CHANNEL SUPPORT VULCAN	2
297	0724476	PAD - NYLATORN - BBOM GUIDE	4
298	0904217	HARDWARE-BODY MOUNTING	1
299	0908202	KIT, FORK - VULCAN LWRK	1
300	0908203	KIT, HDU CHAIN ADPTR -VUL LWRK	1
301	0908204	KIT, HDU RISER BRKT -VUL LWRK	1
302	0908205	KIT, SPRG LIFT BRKT -VUL LWRK	1
303	0908206	KIT, FORK ADAPTER -VUL LWRK	1
304	0908207	KIT, PUMP -VUL LWRK	1
305	0908208	KIT, MOUNTING -VUL LWRK	1
306	0911146	PURCHASED SHIP KIT-VULCAN HVY	1
307	0911148	VULCAN HD ADDTL BOLT KIT	1
308	9401902	TRAILER RECOVERY LOOP (EA)	1
309	946990200	V-100 DECALS	1
--	0904217	HARDWARE-BODY MOUNTING	
310	0400286	3/4-10X2.75" HHCSGR 8GOLD	44
311	0400301	7/8-9X3HHCS GR5 ZP	4
312	0400431	3/4-10 NYLOK HEX GR 8 ZP	44

## Section II - PARTS LIST (cont'd)

### V-100 2-STAGE W/STD STINGER (cont'd)

ITEM	PART NUMBER	DESCRIPTION	QTY
--	0904217	HARDWARE-BODY MOUNTING (cont'd)	
313	0400436	7/8-9 NYLOK HEX NUT ZP	4
--	0908202	KIT, FORK - VULCAN LWRK	
314	0200018	FORK-SHORT, 3IN OPNG	2
315	0200019	FORK-SHORT, 4-1/2IN OPNG	2
316	0200020	FORK-MED, 3IN OPNG	2
317	0200021	FORK-MED, 4-1/2IN OPNG	2
318	0200023	FORK-LONG, 4-1/2IN OPNG	2
319	0200024	FORK - OFFSET REAR AXLE	2
320	0200042	FORK - MEDIUM ROUND AXLE	2
321	0200058	FORK - AXLE	2
--	0908203	KIT, HDU CHAIN ADPTR -VUL LWRK	
322	0310230	CLEVIS PIN, 5/8 X 6 ZINC PLT	2
323	0400886	HITCH PIN CLIP, 1/8 DIA X 2.6 OAL	2
324	0801186	ADAPTER-HDU CHAIN (LH OR RH)	1
325	0801186	ADAPTER-HDU CHAIN (LH OR RH)	1
--	0908204	KIT, HDU RISER BRKT -VUL LWRK	
326	0306564	ALUM T HANDLE 5/8" X 1-1/4"	2
327	0801459	BRKT-RISER-HDU	2
--	0908205	KIT, SPRG LIFT BRKT -VUL LWRK	
328	0807023	BRKT-PIVOT SPRING LIFT	2
329	0908672	PIN-RET.-SPRING LIFT	2
--	0908672	PIN-RET.-SPRING LIFT	
330	0302474	PIN, LINCH 3/16	1
331	0311167	3/16 SWAGE FOR 1/8 COATED CABL	1
332	0311210	CABLE, PIN RETAINER ASSY .125	1
333	0400568	3/8X3" ROLL PIN ZP	1
334	0400573	3/16X1-1/4ROLL PIN ZP	1
335	0402020	1/4-20NC X 3/4 HEX HD SS	1
336	0718917	PIN, RETAINER	1
--	0908206	KIT, FORK ADAPTER -VUL LWRK	
337	0306564	ALUM T HANDLE 5/8" X 1-1/4"	2
338	0803591	ADAPTER-LEFT FORK	1
339	0803592	ADAPTER-RIGHT FORK	1
340	0900900	PIN-ASSY, RETAINER	2
--	0900900	PIN-ASSY, RETAINER	
341	0302474	PIN, LINCH 3/16	1
342	0311167	3/16 SWAGE FOR 1/8 COATED CABL	1
343	0311210	CABLE, PIN RETAINER ASSY .125	1
344	0400568	3/8X3" ROLL PIN ZP	1
345	0400573	3/16X1-1/4ROLL PIN ZP	1
346	0402020	1/4-20NC X 3/4 HEX HD SS	1
347	0703426	PIN,RETAINER	1

## Section II - PARTS LIST (cont'd)

### V-100 2-STAGE W/STD STINGER (cont'd)

ITEM	PART NUMBER	DESCRIPTION	QTY
--	0908207	KIT, PUMP -VUL LWRK	
348	0302901	HOSE HYD, 120" 12C12	2
349	0307995	HOSE, HYD 103" LG	2
350	0310010	SUCTION HOSE, 1-1/4ID X50 100R4	1
351	9016815	MUNCIE PUMP TSPKS17-17-2BSSB	1
--	0908208	KIT, MOUNTING -VUL LWRK	
352	920000501	REAR MOUNTING PLATE	2
353	9401501	FRONT MTG. PLATE	2
354	9401530	FRONT MTG. BRKT. LOWER	2
355	9401540	FRONT MTG. BRKT. UPPER	2
--	0911146	PURCHASED SHIP KIT-VULCAN HVY	
356	0300341	KNOB, BLACK (BLANK)	12
357	0307604	KNOB, RED LONG - SK0700-07	4
358	0902333	KIT-GLAD HAND	1
359	0904183	KIT-AIR TENSIONER	1
360	0906024	KIT BOX, V100 SHIP-DUAL CNTRL	1
361	0908209	KIT, MUDFLAP -VUL LWRK	1
362	0908550	KIT, SAFETY TREAD DECAL-VULCAN	1
--	0902333	KIT-GLAD HAND	
363	0301909	RECEPTACLE BOOT	1
364	0301946	FITTING, BLKHD CONNECT	2
365	0301948	HD 7 WAY TRAILER CONNECT	1
366	0304363	QUICK DISCONNECT 1/2 FPT	2
367	0400070	1/4-20X1 HHCS GR5 ZP	2
368	0400367	1/4-20 NYLOK HEX NUT ZP	2
369	0400451	1/4 FLATWASHER ZP	2
--	0904183	KIT-AIR TENSIONER	
370	0301577	1/4 OD PLASTIC AIRLINE, BLACK	25
371	0302495	CONVOLUTED LOOM 1/4	25
372	0311193	6" CABLE TIE	25
373	0400062	1/4-20X3/4 THRD CUT HEX	2
374	0700188	BRKT,BULKHEAD	2
375	0909085	KIT,AIR FLR/REG/LUBE COMBO 1/4	1
376	HA0132	GAUGE 0-160 PSI	1
--	0909085	KIT,AIR FLR/REG/LUBE COMBO 1/4	
377	0302123	HEX NIPPLE 4MP-4MP	1
378	0303363	AIR FLTR/REGULATOR COMBO	1
379	0306983	FITT, BRASS RUNTEE 1/4T-1/4MPX	1
380	9010520	FITT, BRASS ELB 1/4T-1/4MP	1
--	0906024	KIT BOX, V100 SHIP-DUAL CNTRL	
381	0906018	H.D. LIGHTING PARTS BAG	1
382	0906028	H.D. FITTINGS BAG	1
383	0906839	GROUND KIT MTG.HARNES VULCAN	1
384	0907304	KIT - QUICK DISCONNECT AIR	1

## Section II - PARTS LIST (cont'd)

### V-100 2-STAGE W/STD STINGER (cont'd)

ITEM	PART NUMBER	DESCRIPTION	QTY
--	0906024	KIT BOX, V100 SHIP-DUAL CNTRL (cont'd)	
385	124002186	QUICK CONNECT AIR SUPPLY	1
386	945990400	DUAL CONTROL COMMON DECA	1
--	0906018	H.D. LIGHTING PARTS BAG	
387	0303226	80 AMP CIRCUIT BREAKER	2
388	9032096	DECORATIVE TRIM 7500036	25
--	0906028	H.D. FITTINGS BAG	
389	0300364	CLAMP-HOSE,0.875"-2.75" 50"LBS	4
390	0300649	UNION, STRAIGHT 12MJ - 12MJ	4
391	0302698	FITTING, HOSE BARB,1-1/4	2
392	0303290	INSULATED CLAMP 2 1/2	10
393	0303948	FTG-90DEG ELL 12MJ-16MB90	2
394	0306539	HOSE BARB 20HOSE16MB90	2
395	0400122	3/8-16X1.25 HHCS GR5 ZP	5
396	0400392	3/8-16 NYLOK HEX NUT ZINC	5
397	0400480	3/8 FLATWASHER ZP	5
--	0906839	GROUND KIT MTG.HARNES VULCAN	
398	0400126	3/8-16X1 HHCS GR5 ZP.	4
399	0400382	5/16-18 NYLOK HEX NUT ZP	4
400	0400481	3/8" EXT.TOOTH LOCKWASHER	4
401	0400495	5/8" EXT.TOOTH LOCKWASHER	4
402	0402122	3/8-16NC HEX NUT 316 SS	4
403	0716468	LUG - GROUNDING	4
--	0907304	KIT - QUICK DISCONNECT AIR	
404	0301621	PRESSURE PROTECTION VLV.	1
405	0301946	FITTING, BLKHD CONNECT	1
406	0302123	HEX NIPPLE 4MP-4MP	1
407	0302125	PIPE, BUSHING 1/2MPT X 1/4FPT	1
408	0302534	FITTING, 45 DEG ELBOW	2
409	0302740	AIR HOSE, 1/2" SYN FLEX DOT	20
410	0303538	FITT, ADAPTER -BRASS 8FP-6MP	1
411	0303539	QUICK DISCONNECT 3/8 FPT	1
--	124002186	QUICK CONNECT AIR SUPPLY	
412	0302740	AIR HOSE, 1/2" SYN FLEX DOT	20
413	0311037	3/8" RED RUBER HOSE 50' PRECUT	1
414	0910488	FITTINGS BOX, QUICK CONN AIR	1
--	0910488	FITTINGS BOX, QUICK CONN AIR	
415	0301621	PRESSURE PROTECTION VLV.	1
416	0301946	FITTING, BLKHD CONNECT	1
417	0302123	HEX NIPPLE 4MP-4MP	1
418	0302125	PIPE, BUSHING 1/2MPT X 1/4FPT	1
419	0302534	FITTING, 45 DEG ELBOW	2
420	0303538	FITT, ADAPTER -BRASS 8FP-6MP	1
421	0303539	QUICK DISCONNECT 3/8 FPT	1

## Section II - PARTS LIST (cont'd)

### V-100 2-STAGE W/STD STINGER (cont'd)

ITEM	PART NUMBER	DESCRIPTION	QTY
--	0910488	FITTINGS BOX, QUICK CONN AIR (cont'd)	
422	0303540	NIPPLE, QUICK DISCONNECT 3/8	1
423	0303541	NIPPLE, QUICK DISCONNECT	1
424	0303542	QUICK DISCONNECT - BARB	1
--	945990400	DUAL CONTROL COMMON DECA	
425	0500554	FLAG, AMERICAN LT	2
426	0500686	DECAL - RETRACT CAUTION	2
427	0500773	DECAL PLATE-THROTTLE	2
428	0501101	DECAL-CTRL CABLE SPEED	2
429	0501157	TAG-CAUTION WINCH CABLE DAMAGE	2
430	9033194	WARNING DECAL MOVING PAR	2
431	9033196	WARN.DECAL,DONT WALK UND	2
432	9033197	WARNING DECAL-CABLE TENS	2
433	9033198	DECAL-SAFETY CHAINS	2
434	9033212	NAME PLATE- VULCAN 4 X1	4
435	9033575	DECAL - REMOTE	2
436	9033576	DECAL - FREE SPOOL LH WINCH	2
437	9033577	DECAL - TENSIONER	2
438	9033578	DECAL - FREE SPOOL RH WI	2
439	9033579	DECAL - DUAL CONTROL UPP	1
440	9033580	DECAL - DUAL CONTROL LOW	1
441	9033581	DECAL - NEW VULCAN	2
442	9033586	DECAL DUAL CONTROL UPPER	1
443	9033587	DECAL DUAL CONTROL LOWER	1
444	920950009	DECAL - WARNING FOR STIF	2
--	0908209	KIT, MUDFLAP -VUL LWRK	
445	920400005	MUD FLAP BRACE PLATE	2
446	94320052	MUD FLAP 920-940 RUBBER	1
--	0911148	VULCAN HD ADDTL BOLT KIT	
447	0400431	3/4-10 NYLOK HEX GR 8 ZP	2
448	0400490	3/4 FLATWASHER GR 8	4
449	9044454	3/4-10NC X 7 LG HHCS GRD	2
--	946990200	V-100 DECALS	
450	9033583	DECAL - V100	2
451	9033603	DECAL WARNING V-100 BOOM	2
452	9033606	DECAL WARNING V-90, V-10	2
453	9033612	DECAL WARNING V-100 WINC	2



**Section II - PARTS LIST (cont'd)**  
**V-100 3-STAGE W/STD STINGER**

ITEM	PART NUMBER	DESCRIPTION	QTY
--	125100300	V-100 3-STG, STD STINGER	
1	0911002	BUA, V-100 3-STG STD STINGER	1
2	0911031	SHIP KIT, V-100	1
--	0911002	BUA, V-100 3-STG STD STINGER	
3	0910786	STINGER ASSY - STD - 114"	1
4	0911008	SUBFRAME ASSY V-100	1
5	0911012	RECOVERY BOOM INSTALL V100 3-S	1
--	0910786	STINGER ASSY - STD - 114"	
6	0300113	GREASE FITTING,1/4-28 STRAIGHT	4
7	0301895	GREASE FITTING,STR 1/8 PTF	4
8	0303193	BLACK SKUFF JACKET SJ16	19
9	0400134	3/8-24X3/4 FLTHDSKTSCR	3
10	0400176	1/2-13X1 HHCS GR5 ZP	1
11	0400177	1/2-13X1.25 HHCS GR5 ZP	1
12	0400248	5/8-11X1HHCS GR 8 ZP	1
13	0400491	1/2" HCL LKWSHR ZP	2
14	0400492	1/2" FLATWASHER ZP	2
15	0400505	5/8" SAE WASHER	2
16	0400508	5/8" HELICAL LCKWSHR ZP	10
17	0400594	1/4-20X5/8 SOC FLT HD	8
18	0723463	PLATE, PAD RETAINER	1
19	0723476	PLATE, PAD RETAINER	1
20	0724348	PIN, EXT CYL REAR MTG -STINGER	1
21	0807763	1ST STAGE STINGER WELD'T 116"	1
22	0807765	FOLDING BOOM WELD'T 116"	1
23	0810009	2ND STAGE STINGER - 116"	1
24	124004468	ALUM HEEL PLATE 12" 9055 VULCN	1
25	9012510	CONNECTOR 6SAE MALE-3/8	2
26	9040602	5/8NC X 1 1/4 HHCS GR 8	1
27	9044170	1-8X1-1/2 SOC SET SCREW	1
28	9044471	5/8-18 X 1 1/4 HHCS PL GR8	8
29	9046315	3/16 DIAX1 3/4LG ROLL PI	2
30	9046625	7/8X6 1/2 LG HITCH PIN	1
31	9054150	1 1/2 INT. RET. RING (C	1
32	915760022	HYD.TUBE 3/8 STINGER EX	1
33	915760023	HYD.TUBE 3/8 STINGER EX	1
34	916770001	HOSE- HYD. 3/8 - 105" 8MJ-6MFA	2
35	924902000	LOWER PIN WELD'T	1
36	930150001	STOP PAD (FOLDING BOOM)	4
37	930150002	SPACER (1ST STAGE STINGE	1
38	930150003	TOP PADS	4
39	930150004	BOTTOM PADS	4
40	930150011	PIN (CYL STIFFENER PLATE	1
41	930152000	FRONT MTG. PIN WELD'T	1
42	930770500	TWIN CYL. ARRANGEMENT WELD-ON	1
43	930901500	SHAFT WELD'T - FOLD.BOOM PIVOT	1
44	945300000	PIVOT FOOT WELDMENT	1
45	945351000	SHAFT WELDT-FOLDING BOOM PIVOT	1

## Section II - PARTS LIST (cont'd)

### V-100 3-STAGE W/STD STINGER (cont'd)

ITEM	PART NUMBER	DESCRIPTION	QTY
--	0910786	STINGER ASSY - STD - 114" (cont'd)	
46	946750000	TILT CYLINDER 6 DIA	1
--	124004468	ALUM HEEL PLATE 12" 9055 VULCN	
47	0400155	3/8-16X3/4 FHSCS ZP	6
48	0724687	U/L HEEL PLATE-9055	1
--	0911008	SUBFRAME ASSY V-100	
49	0300649	UNION, STRAIGHT 12MJ - 12MJ	2
50	0300865	FITTING, CONNECTOR 8MJ-8MJ	4
51	0301522	FITTING, CONN. 6MJ-6MB	7
52	0301577	1/4 OD PLASTIC AIRLINE, BLACK	222
53	0301620	FITTING, HYD. 6MJ - 6MB90	1
54	0301895	GREASE FITTING,STR 1/8 PTF	6
55	0302275	FITTING, CONN 8MJ-6MB W/STEP	5
56	0302276	FITTING, ELB 90 DEG	1
57	0302696	FITTING, CONNECTOR	2
58	0302726	GREASE FITTING, 1/4-28 X 45DEG	16
59	0303193	BLACK SKUFF JACKET SJ16	75
60	0303394	HOSE HYD, 46"	4
61	0307003	FITT, HYD UNION 10MJ-10MJ	6
62	0311189	HITCH PIN 1/4" DIA.	2
63	0400002	4X1/4 DRIVE SCREW RD HD	4
64	0400066	1/4-20X3/4 HHCS GR5 ZP	6
65	0400109	5/16-18X1 HHCS GR5 ZP	4
66	0400114	5/16-18X3 HHCS GR5 ZP	2
67	0400126	3/8-16X1 HHCS GR5 ZP.	22
68	0400128	3/8-16X1.25 FLAT HD SOC	12
69	0400149	3/8-16 X 5/8 HHCS GR5 ZP	3
70	0400176	1/2-13X1 HHCS GR5 ZP	14
71	0400205	1/2-13X3 HHCS GR5 ZP	1
72	0400306	7/8-9X3HHCS GR 8 GOLD	18
73	0400393	3/8-16 HEX NUT JAM ZP	16
74	0400437	7/8-9 NYLOK HEX GR 8 ZP	18
75	0400452	1/4" HELICAL LCKWASHR ZP	16
76	0400463	5/16" FLATWASHER ZP.	8
77	0400482	3/8" HELICAL LCKWSHR - ZP	3
78	0400491	1/2" HCL LKWSHR ZP	10
79	0400492	1/2" FLATWASHER ZP	6
80	0400508	5/8" HELICAL LCKWSHR ZP	2
81	0400776	5/16-18 HEX NUT JAM NYLOK ZP	2
82	0501420	PLATE - SERIAL/DATA (V-70)	1
83	0719585	D-RING, TOWING	4
84	0724349	PLATE, JACK LEG COVER	2
85	0724499	PIN - UPPER JACK LEG CYL	2
86	0724500	PIN - LOWER JACK LEG CYL	2
87	0807731	SUBFRAME WELD'T, V-70, V-100	1
88	0810005	PIN - FORK RETAINING	2
89	0910705	CONTROL STATION ASSY	1
90	0910757	HYD. TUBE KIT - VULCAN HD	1



## Section II - PARTS LIST (cont'd)

### V-100 3-STAGE W/STD STINGER (cont'd)

ITEM	PART NUMBER	DESCRIPTION	QTY
--	0911008	SUBFRAME ASSY V-100 (cont'd)	
91	9012515	1 1/16 -12 37 JIC PLUG	2
92	9012525	9/16 -18 37 JIC MALE PLUG	4
93	9015738	HOLDING VALVE MHB-015-L	2
94	9018241	SINGLE TUBE CLAMP-1	2
95	9018254	5/8 TUBE CLAMP SM2160-PP	12
96	9018255	1/2 TUBE CLAMP FM2127-PP	12
97	9018256	3/4 TUBE CLAMP SM3190-PP	4
98	9018271	TRANSITION BLOCK 9E0001	1
99	9041011	1/4 NC X 2 1/2 HHCS PL GR8	8
100	9041402	1/2 NC X 1 1/4 HHCS PLT GR8	5
101	9043950	5/8 NC X 1 1/2 HHCS PL GR 8	2
102	9053041	BEARING-SPHERICAL TORRIN	2
103	9054150	1 1/2 INT. RET. RING (C	8
104	915770002	8AT2(8T90S-8T90S) HCL	2
105	915770017	16R4(16MJ-16FJ) HCL	2
106	915780000	HYD TANK ASSY 3 POINT M	1
107	930020001	SPACER PLATE STIFFLEG SU	2
108	930202500	PIVOT BLOCK WELD'T	2
109	930202504	TIE PLATE - BOOM PIVOT A	2
110	930202505	WASHER PLATE - BOOM PIVO	4
111	930400009	BOTTOM PLATE - DCV DUAL	1
112	9401418	DIPSTICK WELDMENT HYDR TANK	1
113	9402970	TOOLBOX MTG. PAD	3
114	945000001	LOCK PLATE - SPHERICAL B	2
115	945020001	WASHER PLATE-LOWER LIFT	2
116	945351500	PIN WELD'T LOWER LIFT CY	2
117	945720000	STIFF LEG CYLINDER - 45/	2
118	945770003	6AT2(6T90L-8MJ) 24 HYD	4
119	946402500	COVER ASSEMBLY	1
120	946700000	45/50 BOOM LIFT CYLINDER	2
121	946770001	6AT2(6T90S-6T90S) HCL	2
122	DE1381	1/2 WASHER SAE 17/32 ID	4
123	GA0215	PIN-"D" RING	4
--	0910705	CONTROL STATION ASSY	
124	0300052	FITTING, ELB 8MJ-10MB 90	1
125	0301376	CONNECTOR 8 MJ - 10 MB	9
126	0301619	FITT, 6MJ-6MJ-6MB BRANCH TEE	2
127	0302083	16 MJ - 12 MB 90 ELBOW	2
128	0302827	FITTING, CONNECTOR 10MJ-10MB	5
129	0306984	FITT, HYD ELB 12MB-12MJ90 W/HO	2
130	0400382	5/16-18 NYLOK HEX NUT ZP	8
131	0400387	3/8-24 HEX JAM NUT ZP(DE1206)	32
133	0400392	3/8-16 NYLOK HEX NUT ZINC	40
134	0400480	3/8 FLATWASHER ZP	44
135	0723377	PLATE, DCV MTG. - VULCAN HD	1
136	0907441	CONTROL HANDLE ASSY - SHORT	8
137	0907442	CONTROL HANDLE ASSY - LONG	8
138	9010030	FITT, BRASS ELB 1/4T-1/8MPX	12

## Section II - PARTS LIST (cont'd)

### V-100 3-STAGE W/STD STINGER (cont'd)

ITEM	PART NUMBER	DESCRIPTION	QTY
--	0910705	CONTROL STATION ASSY (cont'd)	
139	9016021	VALVE 6 SPOOL 346-9206-018	1
140	9016022	VALVE 2 SPOOL 346-9202-018	1
141	9041108	5/16 NC X 1 3/4 HHCS PL GR8	4
142	9041212	3/8 NC X 2 3/4 HHCS PL GR8	6
143	9043371	6 MM LOCKNUT FOR 9043817	8
144	9043713	M8 X 20 SOC SHOULDER BOL	8
145	9048513	SPHERICAL ROD END REBPJH-	16
146	930400001	PIN - CONTROL HANDLE PIV	2
147	930400012	RH CONTROL ROD (LONG) -	8
148	930400013	LH CONTROL ROD (SHORT) -	8
149	930402600	SHORT LUG WELD'T - DUAL	6
150	930402700	LONG LUG WELD'T - DUAL C	2
151	946400600	CHANNEL WELD'T	2
152	GX263	FITTING, ELB 10MJ-10MB90	1
--	0907441	CONTROL HANDLE ASSY - SHORT	
153	0806515	CONTROL HANDLE WELD'T	1
154	9053524	BEARING BR. FLG.752 X .879X.75	2
--	0907442	CONTROL HANDLE ASSY - LONG	
155	0806531	CONTROL HANDLE WELD'T	1
156	9053524	BEARING BR. FLG.752 X .879X.75	2
--	0910757	HYD. TUBE KIT - VULCAN HD	
157	0310837	HYD TUBE ASSY, RETURN - REAR	1
158	0310838	HYD TUBE ASSY, RH WINCH - B	1
159	0310839	HYD TUBE ASSY, REAR PRESSURE	1
160	0310840	HYD TUBE ASSY, BOOM LIFT - A	1
161	0310841	HYD TUBE ASSY, BOOM LIFT - B	1
162	0310842	HYD TUBE ASSY, RH WINCH - A	1
163	930760010	TUBE, HYD 1/2 X 17 15/16 RH ST	1
164	930760011	TUBE, HYD 1/2 X 17 13/16 RH ST	1
165	946760001	TUBE, HYD 3/4 X 30 3/4 FR.VALV	1
166	946760003	TUBE, HYD 5/8 X 32 9/16 MAIN B	2
167	946760004	TUBE, HYD 1/2 X 34 7/16 ST.EXT	1
168	946760005	TUBE, HYD 1/2 X 34 7/16 ST.EXT	1
169	946760006	TUBE, HYD 1/2 X 36 1/16 ST.TIL	1
170	946760007	TUBE, HYD 1/2 X 36 1/16 ST.TIL	1
171	946760008	TUBE, HYD 1/2 LH STIFFLEG	1
172	946760009	TUBE, HYD 1/2 LH STIFFLEG B PO	1
173	946760010	TUBE, HYD 5/8 X 40 11/16 FR.WI	1
174	946760011	TUBE, HYD 5/8 X 40 11/16 FR.WI	1
175	946760012	TUBE, HYD 1" RETURN LINE FR.VA	1
176	946760016	TUBE, HYD 3/4X77 1/4 END SECTI	2
177	946760017	TUBE, HYD 5/8X80 3/8 END SECTI	6
178	946760018	TUBE, HYD 1/2X77 3/8 END SECTI	4
--	915780000	HYD TANK ASSY 3 POINT M	
179	0301611	PIPE, 1-1/4 SCH40 BLK	2

## Section II - PARTS LIST (cont'd)

### V-100 3-STAGE W/STD STINGER (cont'd)

ITEM	PART NUMBER	DESCRIPTION	QTY
--	915780000	HYD TANK ASSY 3 POINT M (cont'd)	
180	0302696	FITTING, CONNECTOR	2
181	0302699	PIPE NIPPLE - 1-1/4 X 2	2
182	0305006	FILLER CAP (GO205,FB194)	1
183	9011014	1/4NPT SOCKET STL PLUG *	1
184	9012913	MAGNETIC PIPE PLUG 3/4NP	1
185	9015571	BALL VALVE - 1 1/4 CV5	2
186	9018139	SUCT.STRAINER LHA SEH-2	2
187	9018140	OIL FILTER HEAD-LHA SP50NAHN-	2
188	9032122	GASKET, HYD. TANK COVER	1
189	9043477	5/16-18X1 SOC HD CAP SCREW	6
190	915780500	HYDRAULIC TANK WELD'T	1
191	9401408	INSPECT COVER	1
--	946402500	COVER ASSEMBLY	
192	0301851	TRIM-LOCK 150B2X1/8	5
193	9041202	3/8-16 X 5/8 HHCS PL GR8	6
194	9045057	0400482 3/8 BS LOCK WASHER	6
195	946402501	TOP PANNEL - COVER	1
196	946402600	REAR PANEL WELD'T	1
197	946402700	FRONT PANEL WELD'T	1
--	0911012	RECOVERY BOOM INSTALL 3-STAGE	
198	0301577	1/4 OD PLASTIC AIRLINE, BLACK	105
199	0310194	HARNESS, WIRING 2-SPEED	1
200	0400066	1/4-20X3/4 HHCS GR5 ZP	8
201	0400126	3/8-16X1 HHCS GR5 ZP.	4
202	0400132	3/8-16X1.5 HHCS GR5 ZP	6
203	0400392	3/8-16 NYLOK HEX NUT ZINC	12
204	0400424	5/8-18 HEX NUT ZP	2
205	0400426	5/8-11 GR 8 NYLOK NUT YZ PLT	4
206	0400452	1/4" HELICAL LCKWASHR ZP	8
207	0400482	3/8" HELICAL LCKWSHR - ZP	4
208	0400505	5/8" SAE WASHER	2
209	0911035	RECOVERY BOOM ASSY V100 3-STG	1
210	9018255	1/2 TUBE CLAMP FM2127-PP	12
211	9041058	1/4 X 1 3/4 HHCS GR8	2
212	9043605	5/8-18 X 2 SOC HD CAP	2
213	9043975	H.H.C.SCREW 5/8N.C.X3 1/2	2
214	9044409	5/8-11 X 2 1/4 HHCS PL GR8	2
215	9044434	3/8-16X1 NC FLAT SOCKET HD CAP	2
216	9048800	5/8 WELDLESS CHAIN LINK	2
217	930290001	STOP BLOCK VERT BOOM WEL	2
218	9400004	BRONZE BUSHING	2
219	945020001	WASHER PLATE-LOWER LIFT	4
220	945030007	CABLE TIE BACK SPRING-1	2
221	945040001	SPACER, MAIN BOOM PIVOT	2
222	945291500	LOWER GUIDE PAD WELD'T	2
223	945350001	PIVOT PIN, MAIN BOOM	1
224	945351500	PIN WELD'T LOWER LIFT CY	2

## Section II - PARTS LIST (cont'd)

### V-100 3-STAGE W/STD STINGER (cont'd)

ITEM	PART NUMBER	DESCRIPTION	QTY
--	0911012	RECOVERY BOOM INSTALL 3-STAGE (cont'd)	
225	945760021	HYD TUBE UNDER BOOM STIN	4
226	946770003	HOSE ASSEMBLY - 8MJ-8MJ X 45	4
227	946770007	HOSE ASSEMBLY - 79	2
228	946770009	HOSE ASSEMBLY - 104	2
--	0911035	RECOVERY BOOM ASSY V100 3-STG	
229	0300041	FITTING, CONNECTOR 8MJ-8MB	4
230	0301522	FITTING, CONN. 6MJ-6MB	2
231	0301895	GREASE FITTING,STR 1/8 PTF	1
232	0303505	WINCH-dp MODEL S50-50K (2)SPD	2
233	0307406	PAD, SLIDE - (3) STAGE 9055	1
234	0309343	1/4 TUBE TO 1/8MP STRAIGHT FTG	1
235	0310797	1" WIRE LOOM	0.01
236	0311460	1/4" GREASE TUBING	14
237	0311575	1/4x1/4 PTC SWIVEL MALE ELBOW	1
238	0400059	1/4-20X5/8 HHCS GR5 ZP	10
239	0400288	3/4-10X2.5HHCS GR 8GOLD	32
240	0400426	5/8-11 GR 8 NYLOK NUT YZ PLT	4
241	0400431	3/4-10 NYLOK HEX GR 8 ZP	32
242	0400452	1/4" HELICAL LCKWASHR ZP	10
243	0400489	WASHER -FLAT 3/4 SAE HARDENED	64
244	0400491	1/2" HCL LKWSHR ZP	1
245	0400492	1/2" FLATWASHER ZP	1
246	0715517	PIN - "D"-RING OUT BOOM WELD'T	1
247	0719585	D-RING, TOWING	1
248	0724343	BAR, CABLE SUPPORT	1
249	0724344	CHANNEL, ROPE GUIDE	1
250	0806824	BOOM, MID STAGE WELD'T	1
251	0807965	WINCH MTG BRACKET	8
252	0807971	V-100 3-STAGE OUTER BOOM	1
253	0908119	BOOM EXTEND SYSTEM 9055 3STAGE	1
254	0908356	SLIDE PAD ASSY (9055 3 STAGE)	2
255	0908359	SLIDE PAD ASSY (V100 3 STAGE)	4
256	0908425	KIT - BOOM SWIVEL	1
257	3012-793001	PLATE - LUBE MTG.	1
258	9010030	FITT, BRASS ELB 1/4T-1/8MPX	1
259	9010520	FITTING-ELBOW 1/4T-1/4NPT	2
260	9012552	BULKHEAD ADAPTER 1/8M-1/8F NPT	1
261	9012575	LEGRIS- 3108-56-11 1/8NP	3
262	9018255	1/2 TUBE CLAMP FM2127-PP	12
263	9041403	1/2 NC X 1 1/2 HHCS PL GR8	1
264	9044434	3/8-16X1 NC FLAT SOCKET HD CAP	4
265	9056137	RETAINING RING - 1 3/8	2
266	916040004	WEAR PAD - LOWER	1
267	920255003	SPACER - LOCK PIN WELD'T	1
268	930290002	COVER PLATE VERT BOOM MA	2
269	945350500	PIN WELD'T-TILT CYL UPPE	1
270	945770002	6AT2(6T90S-8MJ) HCL 48	2
271	946030004	UPPER WEAR PAD-RECOVERY	2

## Section II - PARTS LIST (cont'd)

### V-100 3-STAGE W/STD STINGER (cont'd)

ITEM	PART NUMBER	DESCRIPTION	QTY
-- 272	0911035 947270000	RECOVERY BOOM ASSY V100 3-STG (cont'd) INNER BOOM TUBE WLMT	1
-- 273	0908119 0300113	BOOM EXTEND SYSTEM 9055 3STAGE GREASE FITTING, 1/4-28 STRAIGHT	4
274	0301388	FITTING, 90ELL, 8MJ-8MB90	2
275	0305023	SNAP RING 5100-0225PP	2
276	0307160	CABLE - EXT ASSY 3-STAGE BOOM	2
277	0307402	CYL HYD 6.5 BORE 3-STAGE 9055&	1
278	0307403	CABLE - ASSY (RETRACT) 3-STAGE	2
279	0400146	3/8-16X2.25 HHCS GR5 ZP	1
280	0400223	3/8-16X3/4 FL HEAD	4
281	0400264	5/8-11X2.25 HHCS GR5 ZP	4
282	0400398	3/8-16 NYLOK HALF-NUT ZP	1
283	0400421	5/8-11 NYLOK HEX NUT ZP	4
284	0400448	1.25-12X1/2 HEX JAM NUT	2
285	0400461	NUT, HEX 1.25-12 GR8 PL	2
286	0400471	NUT, HEX 7/8-14 UNF GR8 ZP	2
287	0400472	NUT, JAM 7/8-14 UNF GR8 ZP	2
288	0400473	WASH, FLAT 7/8" PL HARD'N	2
289	0400480	3/8 FLATWASHER ZP	6
290	0400501	WASH, SAE 1 1/4 HARDENED PL	2
291	0717744	PIN, EXTEND CYL. BASE	1
292	0717747	PIN, RETRACT CABLE	1
293	0806752	SHAFT-RETRACT SHEAVE WELD'T	4
294	0908022	EXTEND SHEAVE ASSY 9055 3STAGE	1
295	0908118	SHEAVE ASSY 5" DIA	4
296	GA0215	PIN-"D" RING	1
-- 297	0908022 0300113	EXTEND SHEAVE ASSY 9055 3STAGE GREASE FITTING, 1/4-28 STRAIGHT	2
298	0303441	SHEAVE-10" DIA X 1.5 BORE	2
299	0400177	1/2-13X1.25 HHCS GR5 ZP	4
300	0400223	3/8-16X3/4 FL HEAD	1
301	0400483	3/8 CNTR'SUNK LOCKWASHER	1
302	0400491	1/2" HCL LKWSHR ZP	4
303	0717743	ROD, EXTEND SHEAVE SPACER	2
304	0806721	BRKT WELD'T - EXTEND SHEAVE	1
305	0806722	SHAFT - EXTEND SHEAVE WELD'T	1
-- 306	0908118 0307432	SHEAVE ASSY 5" DIA BUSHING - BRONZE	1
307	0717909	SHEAVE, 5" DIA RETRACT	1
-- 308	0908356 0303490	SLIDE PAD ASSY (9055 3 STAGE) PAD-WEAR 1/2" X 1" X 4"	1
309	0400066	1/4-20X3/4 HHCS GR5 ZP	1
310	0400349	3/8-16X3/4 FLT SOC HD	5
311	0400451	1/4 FLATWASHER ZP	1
312	0400452	1/4" HELICAL LCKWASHR ZP	1

## Section II - PARTS LIST (cont'd)

### V-100 3-STAGE W/STD STINGER (cont'd)

ITEM	PART NUMBER	DESCRIPTION	QTY
--	0908356	SLIDE PAD ASSY (9055 3 STAGE) (cont'd)	
313	0717262	SHIM - SLIDE PAD	2
314	0718134	PLATE - SLIDE PAD SUPPORT	1
--	0908359	SLIDE PAD ASSY (V100 3 STAGE)	
315	0306825	SLIDE PAD - 3/4 x 1 x 4	1
316	0400066	1/4-20X3/4 HHCS GR5 ZP	1
317	0400126	3/8-16X1 HHCS GR5 ZP.	5
318	0400451	1/4 FLATWASHER ZP	1
319	0400452	1/4" HELICAL LCKWASHR ZP	1
320	0400482	3/8" HELICAL LCKWSHR - ZP	5
321	0717746	PLATE, SLIDE PAD SUPPORT	1
--	0908425	KIT - BOOM SWIVEL	
322	0400557	1/2X1-1/4 ROLL PIN ZP	6
323	0908424	SWIVEL-BOOM ASSEMBLY	2
--	0911031	SHIP KIT, V-100	
324	0301215	WIRE ROPE 3/4X6X37 IWRC 250'	2
325	0303056	D GASKET- H2 ADHESIVE	8
326	0307626	SAFETY CHAIN ASY,1/2X14' GR100	2
327	0310599	CRC HD CORROSION INHIBIT SPRAY	1
328	0400128	3/8-16X1.25 FLAT HD SOC	12
329	0501128	V-90/V-100 OWNERS MANUAL	1
330	0723437	CHANNEL SUPPORT VULCAN	2
331	0724476	PAD - NYLATORN - BBOM GUIDE	4
332	0904217	HARDWARE-BODY MOUNTING	1
333	0908202	KIT, FORK - VULCAN LWRK	1
334	0908203	KIT, HDU CHAIN ADPTR -VUL LWRK	1
335	0908204	KIT, HDU RISER BRKT -VUL LWRK	1
336	0908205	KIT, SPRG LIFT BRKT -VUL LWRK	1
337	0908206	KIT, FORK ADAPTER -VUL LWRK	1
338	0908207	KIT, PUMP -VUL LWRK	1
339	0908208	KIT, MOUNTING -VUL LWRK	1
340	0911146	PURCHASED SHIP KIT-VULCAN HVY	1
341	0911148	VULCAN HD ADDTL BOLT KIT	1
342	9401902	TRAILER RECOVERY LOOP (EA)	1
343	946990200	V-100 DECALS	1
--	0904217	HARDWARE-BODY MOUNTING	
344	0400286	3/4-10X2.75" HHCSGR 8GOLD	44
345	0400301	7/8-9X3HHCS GR5 ZP	4
346	0400431	3/4-10 NYLOK HEX GR 8 ZP	44
347	0400436	7/8-9 NYLOK HEX NUT ZP	4
--	0908202	KIT, FORK - VULCAN LWRK	
348	0200018	FORK-SHORT, 3IN OPNG	2
349	0200019	FORK-SHORT, 4-1/2IN OPNG	2
350	0200020	FORK-MED, 3IN OPNG	2
351	0200021	FORK-MED, 4-1/2IN OPNG	2

## Section II - PARTS LIST (cont'd)

### V-100 3-STAGE W/STD STINGER (cont'd)

ITEM	PART NUMBER	DESCRIPTION	QTY
--	0908202	KIT, FORK - VULCAN LWRK (cont'd)	
352	0200024	FORK - OFFSET REAR AXLE	2
353	0200042	FORK - MEDIUM ROUND AXLE	2
354	0200058	FORK - AXLE	2
--	0908203	KIT, HDU CHAIN ADPTR -VUL LWRK	
355	0310230	CLEVIS PIN, 5/8 X 6 ZINC PLT	2
356	0400886	HITCH PIN CLIP, 1/8 DIA X 2.6 OAL	2
357	0801186	ADAPTER-HDU CHAIN (LH OR RH)	1
358	0801186	ADAPTER-HDU CHAIN (LH OR RH)	1
--	0908204	KIT, HDU RISER BRKT -VUL LWRK	
359	0306564	ALUM T HANDLE 5/8" X 1-1/4"	2
360	0801459	BRKT-RISER-HDU	2
--	0908205	KIT, SPRG LIFT BRKT -VUL LWRK	
361	0807023	BRKT-PIVOT SPRING LIFT	2
362	0908672	PIN-RET.-SPRING LIFT	2
--	0908672	PIN-RET.-SPRING LIFT	
363	0302474	PIN, LINCH 3/16	1
364	0311167	3/16 SWAGE FOR 1/8 COATED CABL	1
365	0311210	CABLE, PIN RETAINER ASSY .125	1
366	0400568	3/8X3" ROLL PIN ZP	1
367	0400573	3/16X1-1/4ROLL PIN ZP	1
368	0402020	1/4-20NC X 3/4 HEX HD SS	1
369	0718917	PIN, RETAINER	1
--	0908206	KIT, FORK ADAPTER -VUL LWRK	
370	0306564	ALUM T HANDLE 5/8" X 1-1/4"	2
371	0803591	ADAPTER-LEFT FORK	1
372	0803592	ADAPTER-RIGHT FORK	1
373	0900900	PIN-ASSY, RETAINER	2
--	0900900	PIN-ASSY, RETAINER	
374	0302474	PIN, LINCH 3/16	1
375	0311167	3/16 SWAGE FOR 1/8 COATED CABL	1
376	0311210	CABLE, PIN RETAINER ASSY .125	1
377	0400568	3/8X3" ROLL PIN ZP	1
378	0400573	3/16X1-1/4ROLL PIN ZP	1
379	0402020	1/4-20NC X 3/4 HEX HD SS	1
380	0703426	PIN,RETAINER	1
--	0908207	KIT, PUMP -VUL LWRK	
381	0302901	HOSE HYD, 120" 12C12	2
382	0307995	HOSE, HYD 103" LG	2
383	0310010	SUCTION HOSE, 1-1/4ID X 50 100R4	1
384	9016815	MUNCIE PUMP TSPKS17-17-2BSSB	1



## Section II - PARTS LIST (cont'd)

### V-100 3-STAGE W/STD STINGER (cont'd)

ITEM	PART NUMBER	DESCRIPTION	QTY
--	0908208	KIT, MOUNTING -VUL LWRK	
385	920000501	REAR MOUNTING PLATE	2
386	9401501	FRONT MTG. PLATE	2
387	9401530	FRONT MTG. BRKT. LOWER	2
388	9401540	FRONT MTG. BRKT. UPPER	2
--	0911146	PURCHASED SHIP KIT-VULCAN HVY	
389	0300341	KNOB, BLACK (BLANK)	12
390	0307604	KNOB, RED LONG - SK0700-07	4
391	0902333	KIT-GLAD HAND	1
392	0904183	KIT-AIR TENSIONER	1
393	0906024	KIT BOX, V100 SHIP-DUAL CNTRL	1
394	0908209	KIT, MUDFLAP -VUL LWRK	1
395	0908550	KIT, SAFETY TREAD DECAL-VULCAN	1
--	0902333	KIT-GLAD HAND	
396	0301909	RECEPTACLE BOOT	1
397	0301946	FITTING, BLKHD CONNECT	2
398	0301948	HD 7 WAY TRAILER CONNECT	1
399	0304363	QUICK DISCONNECT 1/2 FPT	2
400	0400070	1/4-20X1 HHCS GR5 ZP	2
401	0400367	1/4-20 NYLOK HEX NUT ZP	2
402	0400451	1/4 FLATWASHER ZP	2
--	0904183	KIT-AIR TENSIONER	
403	0301577	1/4 OD PLASTIC AIRLINE, BLACK	25
404	0302495	CONVOLUTED LOOM 1/4	25
405	0311193	6" CABLE TIE	25
406	0400062	1/4-20X3/4 THRD CUT HEX	2
407	0700188	BRKT,BULKHEAD	2
408	0909085	KIT,AIR FLR/REG/LUBE COMBO 1/4	1
409	HA0132	GAUGE 0-160 PSI	1
--	0909085	KIT,AIR FLR/REG/LUBE COMBO 1/4	
410	0302123	HEX NIPPLE 4MP-4MP	1
411	0303363	AIR FLTR/REGULATOR COMBO	1
412	0306983	FITT, BRASS RUNTEE 1/4T-1/4MPX	1
413	9010520	FITT, BRASS ELB 1/4T-1/4MP	1
--	0906024	KIT BOX, V100 SHIP-DUAL CNTRL	
414	0906018	H.D. LIGHTING PARTS BAG	1
415	0906028	H.D. FITTINGS BAG	1
416	0906839	GROUND KIT MTG.HARNESS VULCAN	1
417	0907304	KIT - QUICK DISCONNECT AIR	1
418	124002186	QUICK CONNECT AIR SUPPLY	1
419	945990400	DUAL CONTROL COMMON DECA	1
--	0906018	H.D. LIGHTING PARTS BAG	
420	0303226	80 AMP CIRCUIT BREAKER	2
421	9032096	DECORATIVE TRIM 7500036	25



## Section II - PARTS LIST (cont'd)

### V-100 3-STAGE W/STD STINGER (cont'd)

ITEM	PART NUMBER	DESCRIPTION	QTY
--	0906028	H.D. FITTINGS BAG	
422	0300364	CLAMP-HOSE,0.875"-2.75" 50"LBS	4
423	0300649	UNION, STRAIGHT 12MJ - 12MJ	4
424	0302698	FITTING, HOSE BARB,1-1/4	2
425	0303290	INSULATED CLAMP 2 1/2	10
426	0303948	FTG-90DEG ELL 12MJ-16MB90	2
427	0306539	HOSE BARB 20HOSE16MB90	2
428	0400122	3/8-16X1.25 HHCS GR5 ZP	5
429	0400392	3/8-16 NYLOK HEX NUT ZINC	5
430	0400480	3/8 FLATWASHER ZP	5
--	0906839	GROUND KIT MTG.HARNES VULCAN	
431	0400126	3/8-16X1 HHCS GR5 ZP.	4
432	0400382	5/16-18 NYLOK HEX NUT ZP	4
433	0400481	3/8" EXT.TOOTH LOCKWASHER	4
434	0400495	5/8" EXT.TOOTH LOCKWASHER	4
435	0402122	3/8-16NC HEX NUT 316 SS	4
436	0716468	LUG - GROUNDING	4
--	0907304	KIT - QUICK DISCONNECT AIR	
437	0301621	PRESSURE PROTECTION VLV.	1
438	0301946	FITTING, BLKHD CONNECT	1
439	0302123	HEX NIPPLE 4MP-4MP	1
440	0302125	PIPE, BUSHING 1/2MPT X 1/4FPT	1
441	0302534	FITTING, 45 DEG ELBOW	2
442	0302740	AIR HOSE, 1/2" SYN FLEX DOT	20
443	0303538	FITT, ADAPTER -BRASS 8FP-6MP	1
444	0303539	QUICK DISCONNECT 3/8 FPT	1
--	124002186	QUICK CONNECT AIR SUPPLY	
445	0302740	AIR HOSE, 1/2" SYN FLEX DOT	20
446	0311037	3/8" RED RUBER HOSE 50' PRECUT	1
447	0910488	FITTINGS BOX, QUICK CONN AIR	1
--	0910488	FITTINGS BOX, QUICK CONN AIR	
448	0301621	PRESSURE PROTECTION VLV.	1
449	0301946	FITTING, BLKHD CONNECT	1
450	0302123	HEX NIPPLE 4MP-4MP	1
451	0302125	PIPE, BUSHING 1/2MPT X 1/4FPT	1
452	0302534	FITTING, 45 DEG ELBOW	2
453	0303538	FITT, ADAPTER -BRASS 8FP-6MP	1
454	0303539	QUICK DISCONNECT 3/8 FPT	1
455	0303540	NIPPLE, QUICK DISCONNECT 3/8	1
456	0303541	NIPPLE, QUICK DISCONNECT	1
457	0303542	QUICK DISCONNECT - BARB	1
--	945990400	DUAL CONTROL COMMON DECA	
458	0500554	FLAG, AMERICAN LT	2
459	0500686	DECAL - RETRACT CAUTION	2
460	0500773	DECAL PLATE-THROTTLE	2

## Section II - PARTS LIST (cont'd)

### V-100 3-STAGE W/STD STINGER (cont'd)

ITEM	PART NUMBER	DESCRIPTION	QTY
--	945990400	DUAL CONTROL COMMON DECA (cont'd)	
461	0501101	DECAL-CTRL CABLE SPEED	2
462	0501157	TAG-CAUTION WINCH CABLE DAMAGE	2
463	9033194	WARNING DECAL MOVING PAR	2
464	9033196	WARN.DECAL,DONT WALK UND	2
465	9033197	WARNING DECAL-CABLE TENS	2
466	9033198	DECAL-SAFETY CHAINS	2
467	9033212	NAME PLATE- VULCAN 4 X1	4
468	9033575	DECAL - REMOTE	2
469	9033576	DECAL - FREE SPOOL LH WINCH	2
470	9033577	DECAL - TENSIONER	2
471	9033578	DECAL - FREE SPOOL RH WI	2
472	9033579	DECAL - DUAL CONTROL UPP	1
473	9033580	DECAL - DUAL CONTROL LOW	1
474	9033581	DECAL - NEW VULCAN	2
475	9033586	DECAL DUAL CONTROL UPPER	1
476	9033587	DECAL DUAL CONTROL LOWER	1
477	920950009	DECAL - WARNING FOR STIF	2
--	0908209	KIT, MUDFLAP -VUL LWRK	
478	920400005	MUD FLAP BRACE PLATE	2
479	94320052	MUD FLAP 920-940 RUBBER	1
--	0911148	VULCAN HD ADDTL BOLT KIT	
480	0400431	3/4-10 NYLOK HEX GR 8 ZP	2
481	0400490	3/4 FLATWASHER GR 8	4
482	9044454	3/4-10NC X 7 LG HHCS GRD	2
--	946990200	V-100 DECALS	
483	9033583	DECAL - V100	2
484	9033603	DECAL WARNING V-100 BOOM	2
485	9033606	DECAL WARNING V-90, V-10	2
486	9033612	DECAL WARNING V-100 WINC	2





Miller Industries Towing Equipment Inc.  
8503 Hilltop Drive • Ooltewah, Tennessee 37363 • (423) 238-4171  
[www.millerind.com](http://www.millerind.com)