

CENTURY®

L E G E N D A R Y L E A D E R S H I P



OWNER'S MANUAL

312 POWER TILT GEN2

PARTS

**NOTE: MANUAL including SPECIFICATIONS, subject to change without notice.
All ratings specified are based on structural factors only,
not vehicle capacities or capabilities.**

CENTURY®

Miller Industries Towing Equipment Inc.
8503 Hilltop Drive
Ooltewah, Tennessee 37363
Phone (423) 238-4171 • FAX (423) 238-5371

FORM NO. 05001423
08 / 2018
PRICE \$25.00

LIMITED WARRANTY

MILLER INDUSTRIES TOWING EQUIPMENT INC., hereinafter referred to as MILLER, warrants to the original purchaser that each new MILLER wrecker or other MILLER products will be free from defects in material and workmanship for a period of twelve (12) months from date placed in service, but in no event shall such warranty period exceed twenty-four (24) months from date of manufacture by MILLER. The purchaser must promptly notify MILLER in writing of any failure in material or workmanship. In no event shall MILLER accept such notification later than twenty-four (24) months from date of delivery or twelve (12) months from date placed in service, whichever is earlier.

MILLER's obligation under this warranty, statutory or otherwise, is limited to the repair or replacement at the MILLER factory, or at a point designated by MILLER, of such part or parts as shall appear upon inspection by MILLER to be defective in material or workmanship. New or remanufactured parts will be used for any replacement at MILLER's option. This warranty is not transferable. This warranty does not obligate MILLER to bear the cost of labor or transportation charges in connection with the repair or replacement of any parts found to be defective, nor shall it apply to a product upon which repairs or alterations have been made unless authorized by MILLER.

EXCEPT AS EXPRESSLY SET FORTH IN THIS WARRANTY, MILLER MAKES NO OTHER WARRANTY, EXPRESS OR IMPLIED, AND HEREBY DISCLAIMS ALL OTHER WARRANTIES INCLUDING, BUT NOT LIMITED TO, THE IMPLIED WARRANTIES OF MERCHANTABILITY AND FITNESS FOR A PARTICULAR PURPOSE. MILLER shall in no event be liable for claimed downtime, claimed loss of profits or goodwill, or any other special, incidental, indirect, or consequential damages concerning or relating to any product or parts, whether based on negligence, strict liability, breach of contract, breach of warranty, misrepresentation or any other legal theory, regardless of whether the loss resulted from any general or particular requirement which MILLER knew or had reason to know about at the time of sale.

MILLER MAKES NO WARRANTY, EXPRESS OR IMPLIED, AS TO THE FINISHED PRODUCTS MANUFACTURED OR SUPPLIED BY ANOTHER MANUFACTURER AND SUPPLIED BY MILLER TO PURCHASER, including, but not limited to, any vehicle to which a MILLER product may be affixed or any accessories or wire rope, and MILLER EXPRESSLY DISCLAIMS ANY IMPLIED WARRANTIES OF MERCHANTABILITY OR FITNESS FOR A PARTICULAR PURPOSE AS TO SUCH EQUIPMENT OR PRODUCTS. This language shall in no way affect or diminish the rights of the purchaser to rely on such warranties as are extended by such manufacturers or suppliers. MILLER shall, to the extent permitted under applicable law, pass on to the purchaser such manufacturer's or seller's warranty.

MILLER, whose policy is one of continuous improvement, reserves the right to improve its products through changes in design or materials as it may deem desirable without being obligated to incorporate such changes in products previously sold. This warranty is not intended to cover or include the following items, which are set forth by way of example and not limitation:

- A. Normal deterioration of trim, paint, lettering, and appearance items due to wear or exposure to weather, road conditions, road treatments, etc.
- B. Any damage or defect due to accident, misuse, abuse, improper or unauthorized repairs, failure to provide reasonable and necessary maintenance, or uses for which the equipment was not designed or intended.
- C. Alterations or modifications that affect performance, operation or reliability.
- D. Normal maintenance parts including, but not limited to, wear pads, bushings, wire rope, mud flaps, fenderettes, light bulbs, hydraulic oil, filters, and tow sling belts.

IT IS EXPRESSLY UNDERSTOOD THAT MILLER MAKES NO IMPLIED WARRANTY THAT MILLER PRODUCTS SHALL BE FIT FOR THE PURPOSE OF LIFTING OR MOVING PEOPLE OR FOR ANY OTHER IMPROPER USE.



Miller Industries Towing Equipment Inc.
8503 Hilltop Drive
Ooltewah, Tennessee 37363
Telephone (423) 238-4171

SERIAL NUMBER

OWNER, USER AND OPERATOR:

We appreciate your choice of our towing and recovery unit for your application. Our number one priority is user safety which is best achieved by our joint efforts. We feel that you can make a major contribution to safety if you, as the equipment owner and operator:

1. **Comply with Federal, State, and Local Regulations.**
2. **Read, Understand, and Follow the Instructions in this Manual.**
3. **Use Good, Safe Work Practices in a Common Sense Way.**
4. **Only have Authorized and Trained Personnel performing maintenance on the Towing and Recovery Unit.**

TABLE OF CONTENTS

It is assumed by the manufacturer that the Owner/Operator has a thorough knowledge of the accepted and lawful retrieval and towing methods as dictated by his city, county or state. The manufacturer rejects any liability claim that may result from the incorrect or unlawful application of its equipment.

Section I - PARTS

BASIC UNIT ASSEMBLY	I-2 & I-3
SUBFRAME ASSEMBLY	I-4 & I-5
RECOVERY BOOM ASSEMBLY	I-6 thru I-11
WHEEL LIFT BOOM ASSEMBLY	I-12 & I-13
CROSSBAR ASSEMBLY	I-14 & I-15
DUAL WINCH BUCKET ASSEMBLY	I-16 & I-17
VALVE PLATE ASSEMBLY	I-18 & I-19
7-HANDLE DUAL CONTROL ASSEMBLY	I-20 & I-21
HYDRAULIC TANK ASSEMBLY	I-22 & I-23
BOOM & WINCH HYDRAULICS	I-24 & I-25
WHEEL LIFT HYDRAULICS	I-26 & I-27
TANK, VALVE & FILTER HYDRAULICS	I-28 & I-29
EXPRESS BODY ASSEMBLY CS	I-30 thru I-33
BOOM SWIVEL ASSEMBLY	I-34
PARTS LIST	I-35 thru I-40

Section II - SCHEMATICS

WIRING HARNESS	II-1
POWER TILT WIRING	II-2
HYDRAULIC ROUTING	II-3

Section I - PARTS

This Section is provided by the manufacturer for the purpose of ordering any component part of the **Century 312 POWER TILT GEN 2** that may be required when part replacement is necessary. Be certain to use only original equipment replacement parts for warranty purposes as well as for keeping your unit in its original state and optimum operating capacities.

When ordering replacement or spare parts be sure to provide the following information to the manufacturer's **Parts Department**.

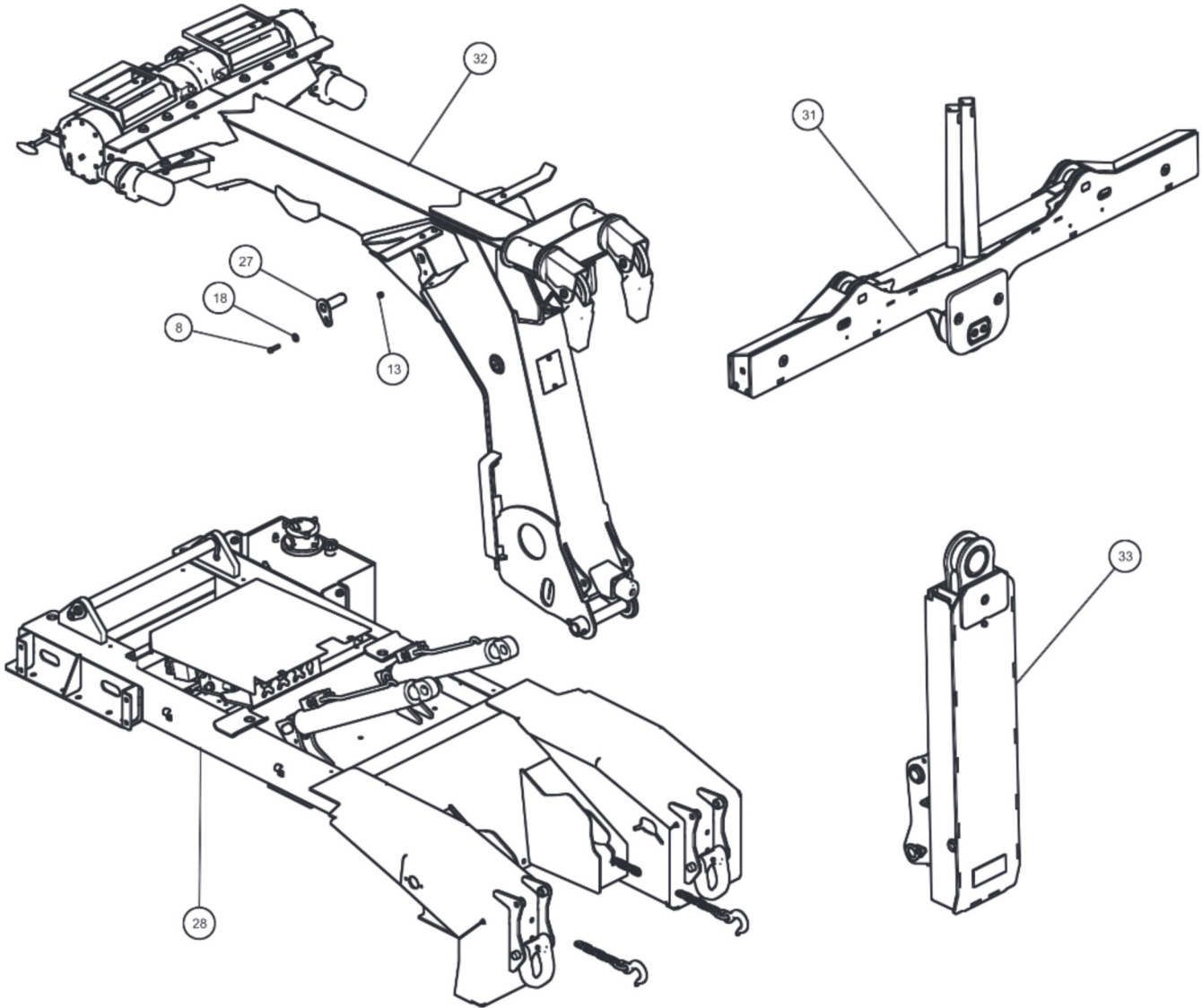
1. **Manual Number & Date of Publication**
2. **Manual Page Number**
3. **Page Title**
4. **Reference Number of Part Desired**
5. **Part Number**
6. **Part Description**
7. **Quantity of Part Desired**

Providing this information will help ensure that the correct parts will be delivered to you in an expedient manner without delay. Should additional information be required for repair or replacement of certain components, contact your Wrecker Manufacturer Authorized Representative.

The Manufacturer reserves the right, without notice or obligation, to improve or modify their products, which may change the specifications, models and feature availability.

Section I - PARTS (cont'd)

BASIC UNIT ASSEMBLY



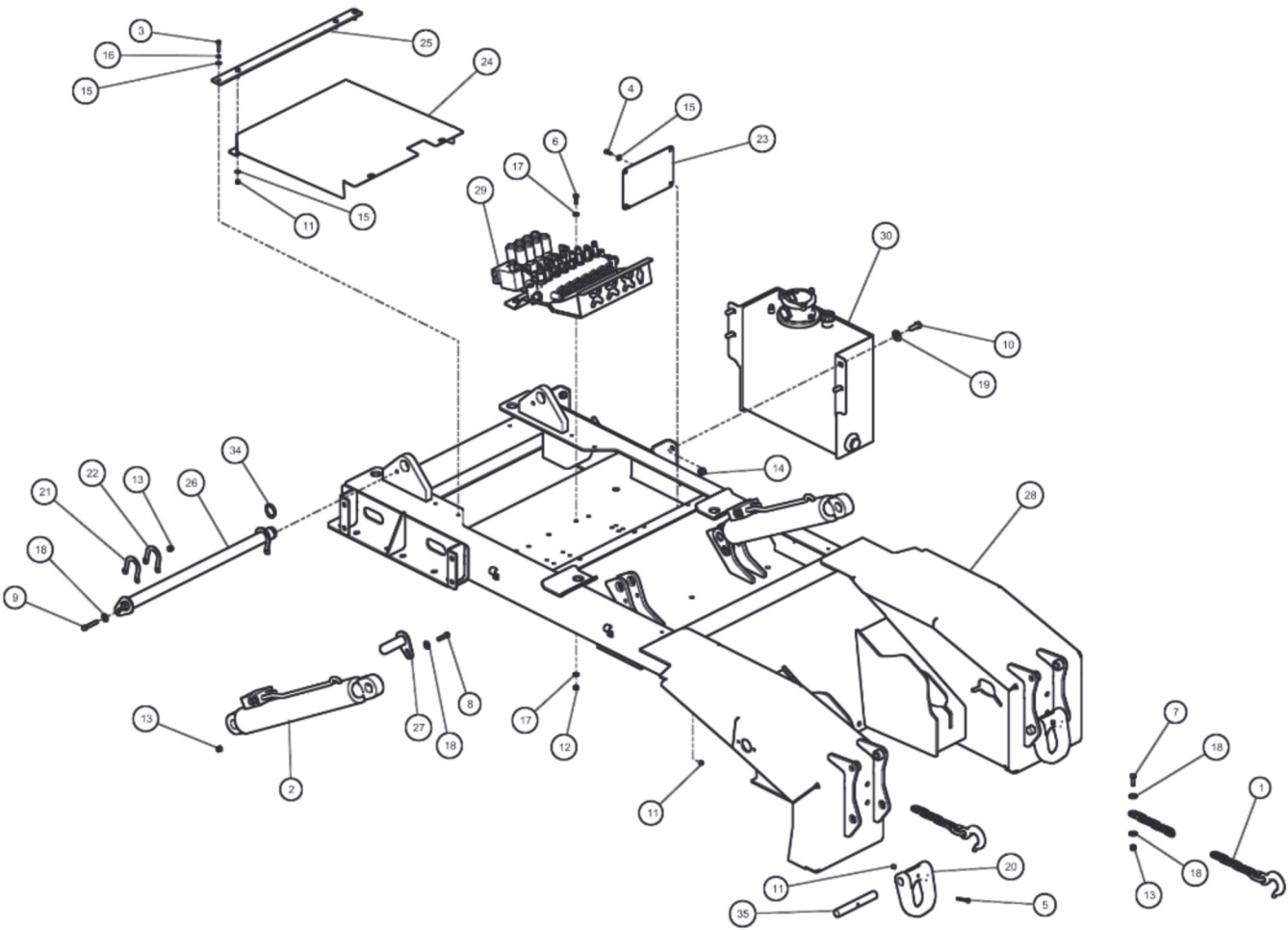
Section I - PARTS (cont'd)

BASIC UNIT ASSEMBLY

ITEM	PART NUMBER	DESCRIPTION	QTY
-	28519001	BUA 312 P/TILT	1
1	0307383	CHAIN ASSY 5/16 G7 X 12'	2
2	0307575	CYLINDER, LIFT 3.00 X 17.75	2
3	0400057	SCREW, 1/4-20X1-1/4 HHC	2
4	0400066	SCREW, 1/4-20X3/4 HHC GR5	2
5	0400078	SCREW, 1/4-20X2 HHC GR5	2
6	0400109	SCREW, 5/16-18X1 HHC GR5	5
7	0400122	SCREW, 3/8-16X1-1/4 HHC GR5	2
8	0400132	SCREW, 3/8-16X1-1/2 HHC GR5	4
9	0400146	SCREW, 3/8-16X2-1/4 HHC GR5	2
10	0400177	SCREW, 1/2-13X1-1/4 HHC GR5	4
11	0400367	NUT, 1/4-20 LOK	6
12	0400382	NUT, 5/16-18 LOK	5
13	0400392	NUT, 3/8-16 LOK	8
14	0400408	NUT, 1/2-13 LOK	4
15	0400451	WASHER, 1/4	6
16	0400452	LKWASHER, 1/4	2
17	0400463	WASHER, 5/16	10
18	0400480	WASHER, 3/8	10
19	0400492	WASHER, 1/2	4
20	0712380	D-RING	2
21	0719519	SHIM, BOOM PIVOT (0.0747 THK)	2
22	0719520	SHIM, BOOM PIVOT (.1196 THK)	2
23	0730187	JUNCTION BOX PLATE EXP,810,812	1
24	0730296	PLATE VALVE COVER EXPRESS P/T	1
25	0806857	BAR VALVE COVER SUPPORT WELD'T	1
26	0807183	MAIN BOOM PIVOT PIN WLMT.	1
27	0807707	PIN WELDMENT, LIFT CYLINDER	4
28	0810187	SUBFRAME, 312 PT	1
29	0908396	7-SPOOL VALVE PLATE ASSY	1
30	0910933	HYD TANK ASSY, NARROW	1
31	0911466	812 CROSSBAR ASSY GEN3.2	1
32	28519002	MAIN BOOM ASSY 312 P/TILT	1
33	28519003	W/L ASSY EXP P/T	1
34	9056150	RETAINING RING, 1 1/2	1
35	BA0259	PIN, "D" RING	2

Section I - PARTS (cont'd)

SUBFRAME ASSEMBLY

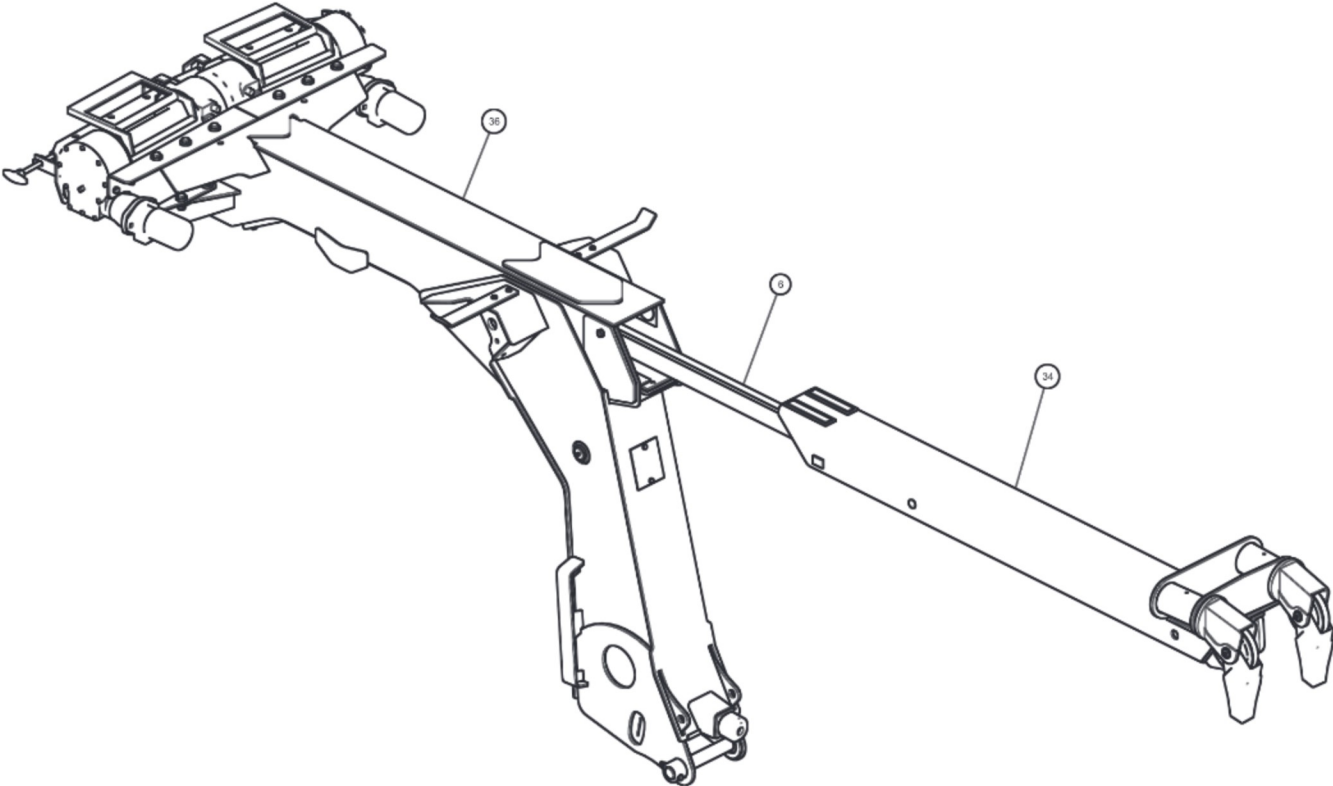


Section I - PARTS (cont'd)

SUBFRAME ASSEMBLY

ITEM	PART NUMBER	DESCRIPTION	QTY
-	28519001	BUA 312 P/TILT	1
1	0307383	CHAIN ASSY, 5/16 G7 X 12'	2
2	0307575	CYLINDER, LIFT 3.00 X 17.75	2
3	0400057	SCREW, 1/4-20X1-1/4 HHC	2
4	0400066	SCREW, 1/4-20X3/4 HHC GR5	2
5	0400078	SCREW, 1/4-20X2 HHC GR5	2
6	0400109	SCREW, 5/16-18X1 HHC GR5	5
7	0400122	SCREW, 3/8-16X1-1/4 HHC GR5	2
8	0400132	SCREW, 3/8-16X1-1/2 HHC GR5	4
9	0400146	SCREW, 3/8-16X2-1/4 HHC GR5	2
10	0400177	SCREW, 1/2-13X1-1/4 HHC GR5	4
11	0400367	NUT, 1/4-20 LOK	6
12	0400382	NUT, 5/16-18 LOK	5
13	0400392	NUT, 3/8-16 LOK	8
14	0400408	NUT, 1/2-13 LOK	4
15	0400451	WASHER, 1/4	6
16	0400452	LKWASHER, 1/4	2
17	0400463	WASHER, 5/16	10
18	0400480	WASHER, 3/8	10
19	0400492	WASHER, 1/2	4
20	0712380	D-RING	2
21	0719519	SHIM, BOOM PIVOT (0.0747 THK)	2
22	0719520	SHIM, BOOM PIVOT (.1196 THK)	2
23	0730187	JUNCTION BOX PLATE EXP,810,812	1
24	0730296	PLATE VALVE COVER EXPRESS P/T	1
25	0806857	BAR, VALVE COVER SUPPORT WELD'T	1
26	0807183	MAIN BOOM PIVOT PIN WLMT.	1
27	0807707	PIN WELDMENT, LIFT CYLINDER	4
28	0810187	SUBFRAME, 312 PT	1
29	0908396	7-SPOOL VALVE PLATE ASSY	1
30	0910933	HYD TANK ASSY, NARROW	1
31	0911466	812 CROSSBAR ASSY GEN3.2	1
32	28519002	MAIN BOOM ASSY 312 P/TILT	1
33	28519003	W/L ASSY EXP P/T	1
34	9056150	RETAINING RING, 1 1/2	1
35	BA0259	PIN, "D" RING	2

Section I - PARTS (cont'd)
RECOVERY BOOM ASSEMBLY



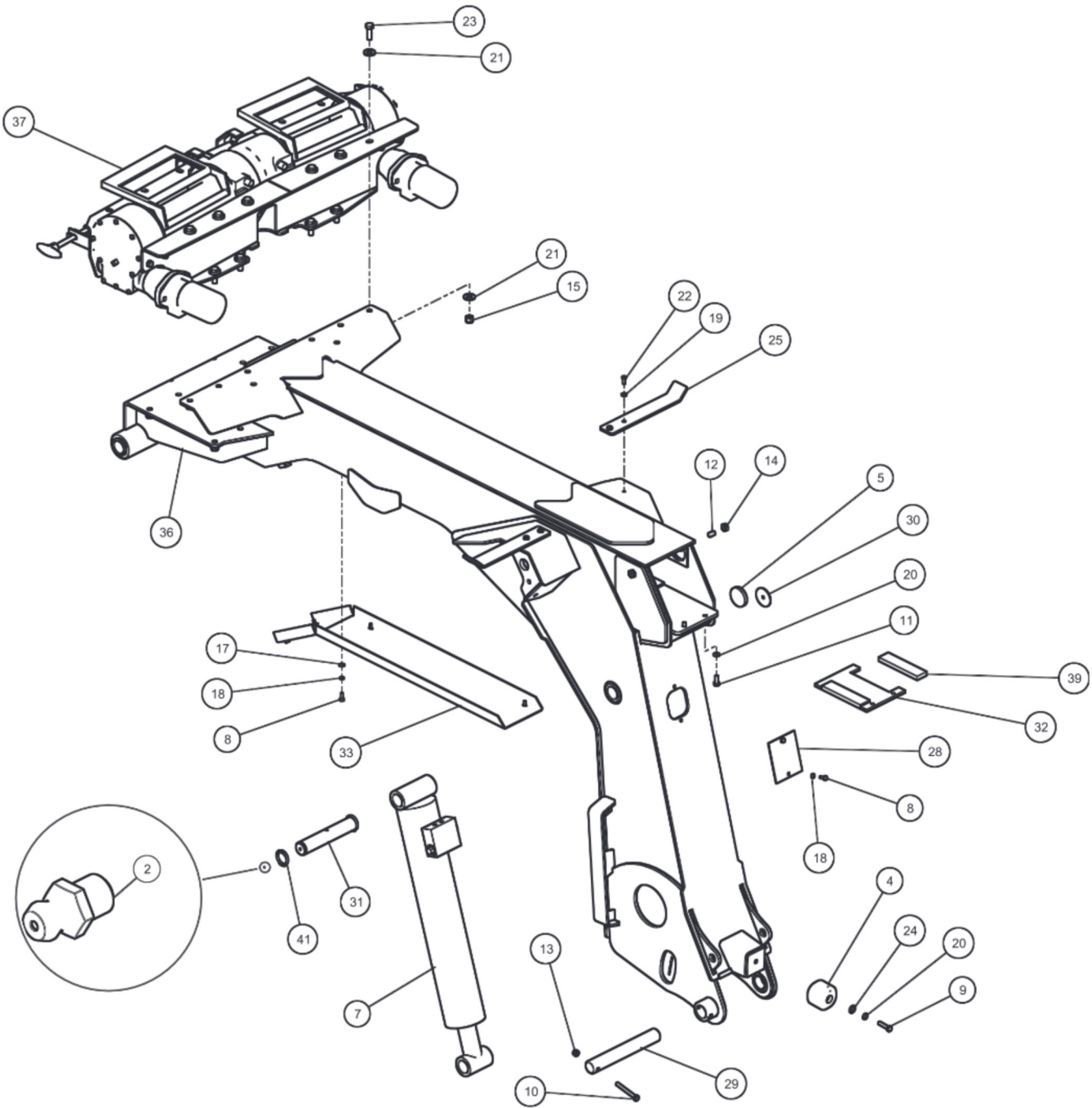
Section I - PARTS (cont'd)

RECOVERY BOOM ASSEMBLY

ITEM	PART NUMBER	DESCRIPTION	QTY
-	28519002	MAIN BOOM ASSY 312 P/TILT	1
1	0300110	SNAP RING, 1" 5100-100	4
2	0300113	GREASE FITTING, 1/4-28 STR	3
3	0300679	BEARING PAD, NYLATRON	2
4	0306688	TIMBREN SPRING 180 AEON 2 7/8"	1
5	0306819	PAD, SLIDE (2 1/4 DIA UHMW)	2
6	0307578	CYL, HYD - S24050024PP	1
7	0310579	CYLINDER 4.0 BORE 19.5 STROKE	1
8	0400066	SCREW, 1/4-20X3/4 HHC GR5	8
9	0400132	SCREW, 3/8-16X1-1/2 HHC GR5	1
10	0400133	SCREW, 3/8-16X3 HHC GR5	1
11	0400141	SCREW, 3/8-16X7/8 HHC GR5	2
12	0400204	SET SCREW, 1/2-13X3/4 SOC	2
13	0400392	NUT, 3/8-16 LOK	2
14	0400410	NUT, 1/2-13 JAM	2
15	0400416	NUT, 1/2-13 LOK GR8	14
16	0400426	NUT, 5/8-11 LOK GR8	4
17	0400451	WASHER, 1/4	6
18	0400452	LKWASHER, 1/4	8
19	0400464	LKWASHER, 5/16	4
20	0400482	LKWASHER, 3/8	3
21	0400497	WASHER, 1/2 GR8	28
22	0400614	SCREW, 5/16-18X3/4 BSC	4
23	0400633	SCREW, 1/2-13X1-1/2 HHC GR8	14
24	0400768	WASHER, 3/8 GR8	2
25	07000314	CABLE GUIDE, FRONT	2
26	0703082	PIN, EXT CYL PIVOT	1
27	0705499	SHAFT, UPPER SPADE	1
28	0708519	PLATE, COVER BOOM UPPER	1
29	0717069	PIN, MIDNIGHT U/L	1
30	0717674	SHIM, PAD SPACER	2
31	0718218	PIN, FOLD (BASE)	1
32	0718219	PLATE, PAD CAGE	1
33	0718527	COVER, HOSE TRACK	1
34	0806843	INNER MAIN BOOM WELD'T EXPRESS	1
35	0806845	DUAL SHEAVE HEAD WELDMENT	1
36	0810190	MAIN BOOM WLMT, EXPRESS P/T	1
37	0908391	8K DUAL WINCH BUCKET ASSY	1
38	805180000	SHEAVE HOUSING ASSEMBLY	2
39	880060002	NYLATRON PAD (STINGER UPPER)	2
40	9043950	5/8 NC X 1 1/2 HHCS PL GR 8	4
41	9056150	RETAINING RING, 1 1/2	2

Section I - PARTS (cont'd)

RECOVERY BOOM ASSEMBLY (cont'd)



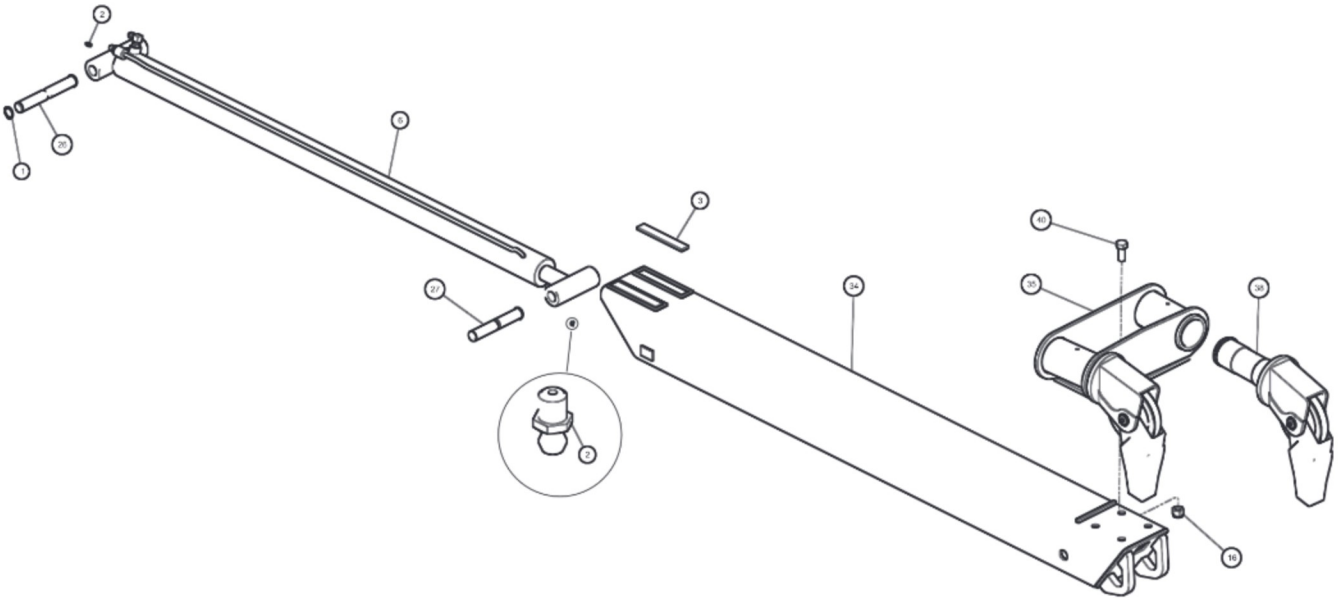
Section I - PARTS (cont'd)

RECOVERY BOOM ASSEMBLY (cont'd)

ITEM	PART NUMBER	DESCRIPTION	QTY
-	28519002	MAIN BOOM ASSY 312 P/TILT	1
1	0300110	SNAP RING, 1" 5100-100	4
2	0300113	GREASE FITTING, 1/4-28 STR	3
3	0300679	BEARING PAD, NYLATRON	2
4	0306688	TIMBREN SPRING 180 AEON 2 7/8"	1
5	0306819	PAD, SLIDE (2 1/4 DIA UHMW)	2
6	0307578	CYL, HYD - S24050024PP	1
7	0310579	CYLINDER 4.0 BORE 19.5 STROKE	1
8	0400066	SCREW, 1/4-20X3/4 HHC GR5	8
9	0400132	SCREW, 3/8-16X1-1/2 HHC GR5	1
10	0400133	SCREW, 3/8-16X3 HHC GR5	1
11	0400141	SCREW, 3/8-16X7/8 HHC GR5	2
12	0400204	SET SCREW, 1/2-13X3/4 SOC	2
13	0400392	NUT, 3/8-16 LOK	2
14	0400410	NUT, 1/2-13 JAM	2
15	0400416	NUT, 1/2-13 LOK GR8	14
16	0400426	NUT, 5/8-11 LOK GR8	4
17	0400451	WASHER, 1/4	6
18	0400452	LKWASHER, 1/4	8
19	0400464	LKWASHER, 5/16	4
20	0400482	LKWASHER, 3/8	3
21	0400497	WASHER, 1/2 GR8	28
22	0400614	SCREW, 5/16-18X3/4 BSC	4
23	0400633	SCREW, 1/2-13X1-1/2 HHC GR8	14
24	0400768	WASHER, 3/8 GR8	2
25	07000314	CABLE GUIDE, FRONT	2
26	0703082	PIN, EXT CYL PIVOT	1
27	0705499	SHAFT, UPPER SPADE	1
28	0708519	PLATE, COVER BOOM UPPER	1
29	0717069	PIN, MIDNIGHT U/L	1
30	0717674	SHIM, PAD SPACER	2
31	0718218	PIN, FOLD (BASE)	1
32	0718219	PLATE, PAD CAGE	1
33	0718527	COVER, HOSE TRACK	1
34	0806843	INNER MAIN BOOM WELD'T EXPRESS	1
35	0806845	DUAL SHEAVE HEAD WELDMENT	1
36	0810190	MAIN BOOM WLMT, EXPRESS P/T	1
37	0908391	8K DUAL WINCH BUCKET ASSY	1
38	805180000	SHEAVE HOUSING ASSEMBLY	2
39	880060002	NYLATRON PAD (STINGER UPPER)	2
40	9043950	5/8 NC X 1 1/2 HHCS PL GR 8	4
41	9056150	RETAINING RING, 1 1/2	2

Section I - PARTS (cont'd)

RECOVERY BOOM ASSEMBLY (cont'd)



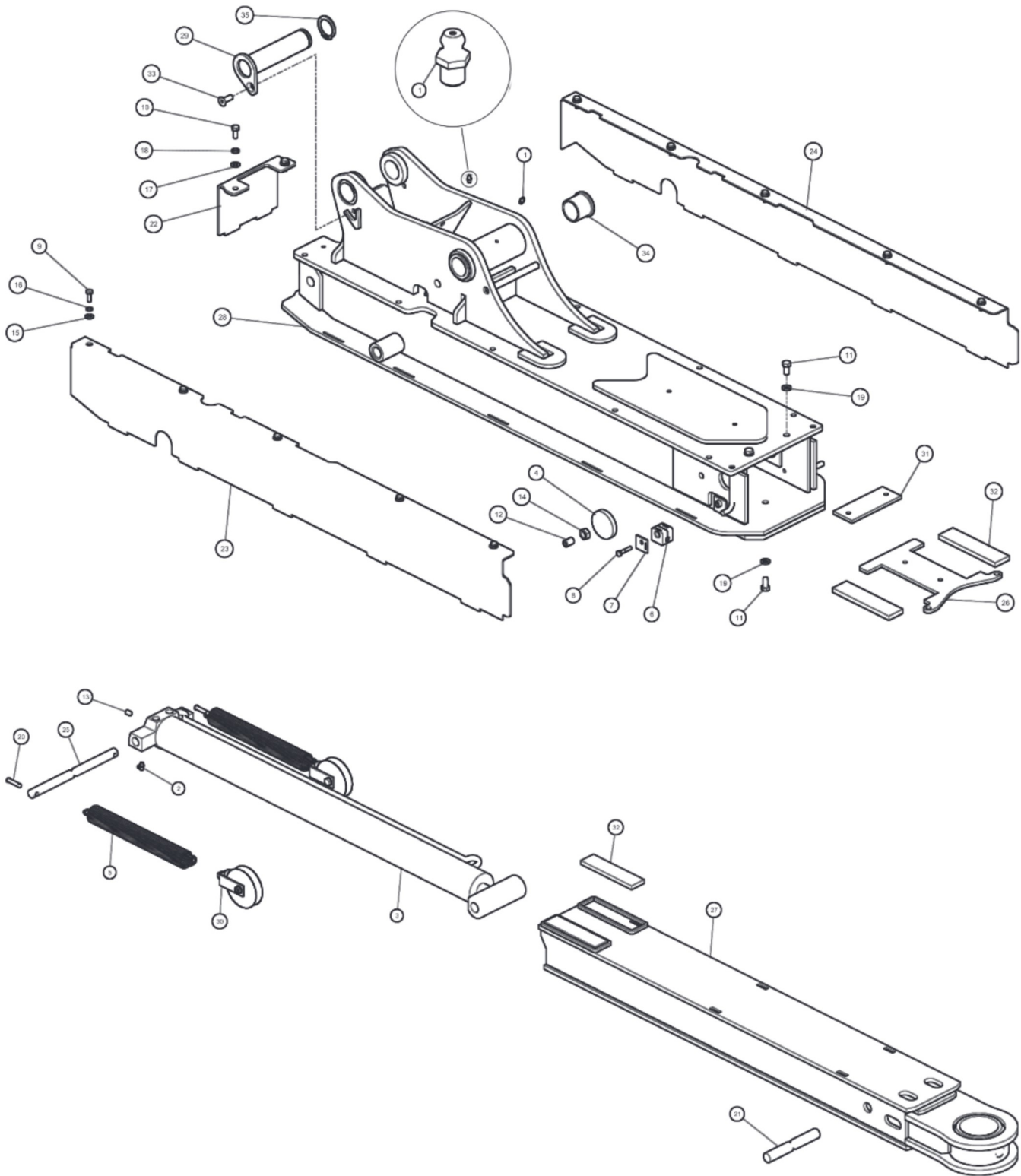
Section I - PARTS (cont'd)

RECOVERY BOOM ASSEMBLY (cont'd)

ITEM	PART NUMBER	DESCRIPTION	QTY
-	28519002	MAIN BOOM ASSY 312 P/TILT	1
1	0300110	SNAP RING, 1" 5100-100	4
2	0300113	GREASE FITTING, 1/4-28 STR	3
3	0300679	BEARING PAD, NYLATRON	2
4	0306688	TIMBREN SPRING 180 AEON 2 7/8"	1
5	0306819	PAD, SLIDE (2 1/4 DIA UHMW)	2
6	0307578	CYL, HYD - S24050024PP	1
7	0310579	CYLINDER 4.0 BORE 19.5 STROKE	1
8	0400066	SCREW, 1/4-20X3/4 HHC GR5	8
9	0400132	SCREW, 3/8-16X1-1/2 HHC GR5	1
10	0400133	SCREW, 3/8-16X3 HHC GR5	1
11	0400141	SCREW, 3/8-16X7/8 HHC GR5	2
12	0400204	SET SCREW, 1/2-13X3/4 SOC	2
13	0400392	NUT, 3/8-16 LOK	2
14	0400410	NUT, 1/2-13 JAM	2
15	0400416	NUT, 1/2-13 LOK GR8	14
16	0400426	NUT, 5/8-11 LOK GR8	4
17	0400451	WASHER, 1/4	6
18	0400452	LKWASHER, 1/4	8
19	0400464	LKWASHER, 5/16	4
20	0400482	LKWASHER, 3/8	3
21	0400497	WASHER, 1/2 GR8	28
22	0400614	SCREW, 5/16-18X3/4 BSC	4
23	0400633	SCREW, 1/2-13X1-1/2 HHC GR8	14
24	0400768	WASHER, 3/8 GR8	2
25	07000314	CABLE GUIDE, FRONT	2
26	0703082	PIN, EXT CYL PIVOT	1
27	0705499	SHAFT, UPPER SPADE	1
28	0708519	PLATE, COVER BOOM UPPER	1
29	0717069	PIN, MIDNIGHT U/L	1
30	0717674	SHIM, PAD SPACER	2
31	0718218	PIN, FOLD (BASE)	1
32	0718219	PLATE, PAD CAGE	1
33	0718527	COVER, HOSE TRACK	1
34	0806843	INNER MAIN BOOM WELD'T EXPRESS	1
35	0806845	DUAL SHEAVE HEAD WELDMENT	1
36	0810190	MAIN BOOM WLMT, EXPRESS P/T	1
37	0908391	8K DUAL WINCH BUCKET ASSY	1
38	805180000	SHEAVE HOUSING ASSEMBLY	2
39	880060002	NYLATRON PAD (STINGER UPPER)	2
40	9043950	5/8 NC X 1 1/2 HHCS PL GR 8	4
41	9056150	RETAINING RING, 1 1/2	2

Section I - PARTS (cont'd)

WHEEL LIFT BOOM ASSEMBLY



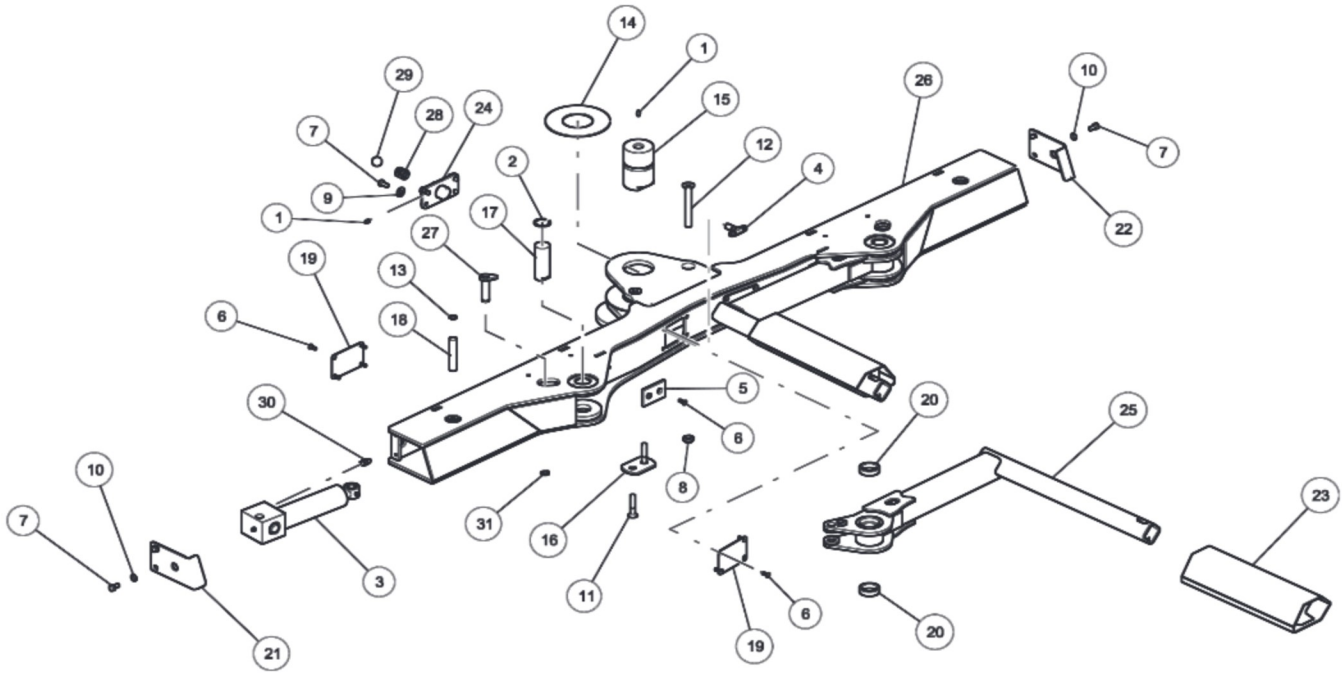
Section I - PARTS (cont'd)

WHEEL LIFT BOOM ASSEMBLY

ITEM	PART NUMBER	DESCRIPTION	QTY
-	28519003	W/L ASSY EXP P/T	1
1	0300113	GREASE FITTING, 1/4-28 STR	3
2	0301397	GREASE FITTING, 1/4-28 90	2
3	0303020	CYL HYD EXT, EB3 {JI3}	1
4	0306819	PAD, SLIDE {2 1/4 DIA UHMW}	2
5	0311390	SPRING, HOSE TENS. ENCL C/B	2
6	0311716	CLAMP BODY SINGLE TUBE POLY	2
7	0311717	CLAMP COVER PLATE SINGLE	2
8	0311718	CLAMP BOLT 1/4-20	2
9	0400066	SCREW, 1/4-20X3/4 HHC GR5	10
10	0400118	SCREW, 5/16-18X3/4 HHC GR5	2
11	0400121	SCREW, 3/8-16X3/4 HHC GR5	4
12	0400204	SET SCREW, 1/2-13X3/4 SOC	2
13	0400353	SET SCREW, 3/8X1/2 SOC	2
14	0400410	NUT, 1/2-13 JAM	2
15	0400451	WASHER, 1/4	10
16	0400452	LKWASHER, 1/4	10
17	0400463	WASHER, 5/16	2
18	0400464	LKWASHER, 5/16	2
19	0400482	LKWASHER, 3/8	4
20	0400666	PIN, 5/16X1-3/8 CLEVIS SS	2
21	0718216	SHAFT, INNER TUBE CYLINDER	1
22	0725304	REAR COVER OUTER W/L	1
23	0730274	COVER OUTER W/L LH	1
24	0730275	COVER OUTER W/L RH	1
25	0730280	PIN EXTEND	1
26	0730297	PAD CAGE AUTOLOAD	1
27	0810138	INNER STINGER WLMT, AUTOLOAD	1
28	0810189	OUTER W/L 312 P/TILT	1
29	0811058	TILT CYL. PIN WLMT 312 P/T	1
30	0911366	SINGLE PULLEY ASSY	2
31	3012-794003	BAR, SPACER	1
32	896040002	NYLATRON, 6 X 1 1/2 X	4
33	9044434	3/8-16X1 NC FLAT SOCKET HD CAP	1
34	9053713	FLG BEARING 1.5"ID OILITE	2
35	9056150	RETAINING RING, 1 1/2	1

Section I - PARTS (cont'd)

CROSSBAR ASSEMBLY



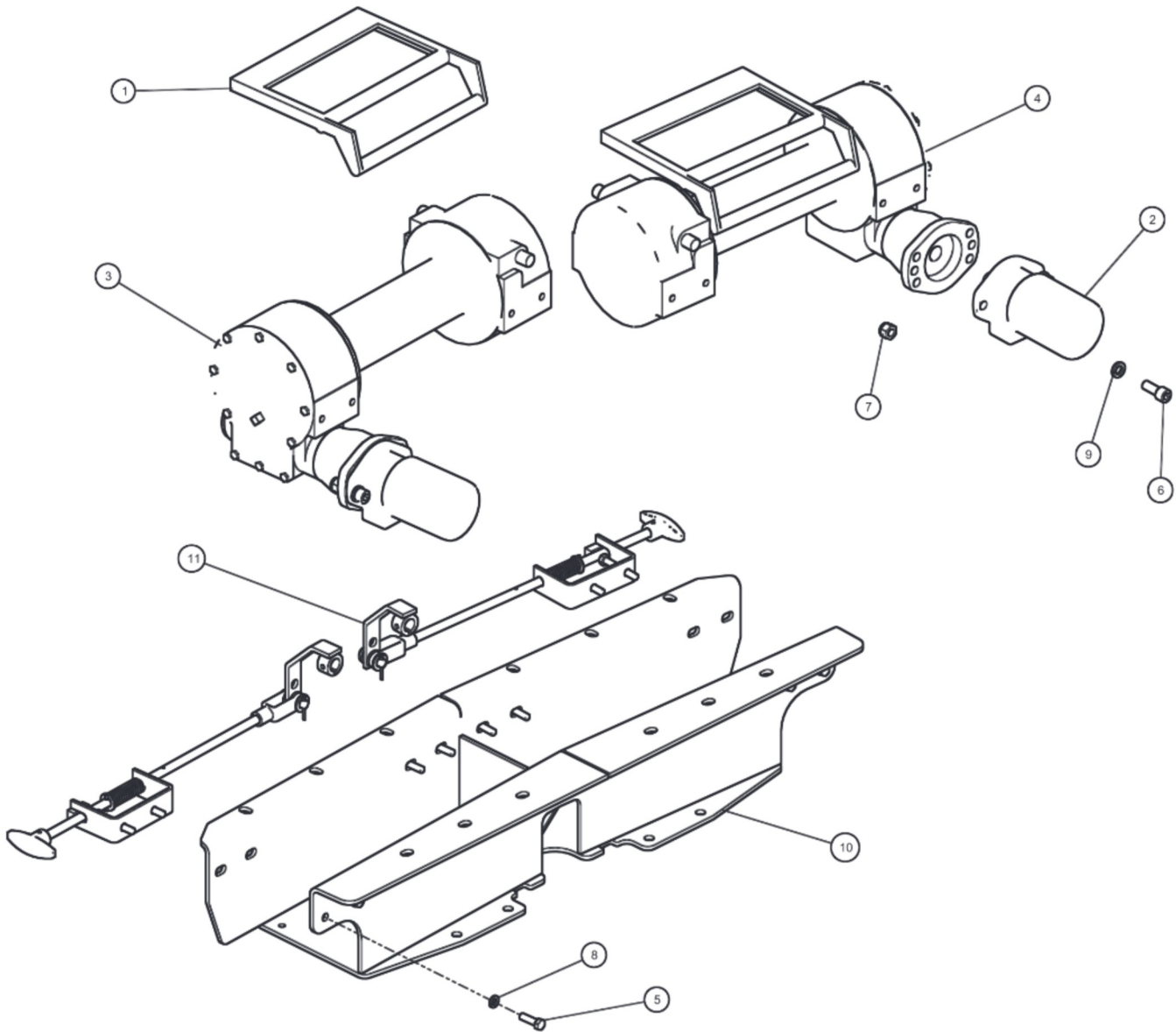
Section I - PARTS (cont'd)

CROSSBAR ASSEMBLY

ITEM	PART NUMBER	DESCRIPTION	QTY
1	0300113	GREASE FITTING, 1/4-28 STR	2
2	0301959	SNAP RING-INTERNAL 1-1/2	2
3	0311600	CYL, 812 CLAW GEN3, PUSH STYLE	2
4	0311617	FITTING, 6MJ-BLKHD-TEE	2
5	0311739	STOP PAD CLAW GEN3 CBAR	2
6	0400079	SCREW, 1/4-20X3/4 FHS GR5	20
7	0400121	SCREW, 3/8-16X3/4 HHC GR5	8
8	0400428	NUT, 5/8-11 LOK FLEX JAM	2
9	0400480	WASHER, 3/8	4
10	0400482	LKWASHER, 3/8	8
11	0400992	SCREW, 1/2-20X2-1/2 FHS BO	2
12	0401008	SCREW, 5/8-11X5 FHS	2
13	0401150	SNAP RING, 3/4 INT	2
14	0710092	WASHER, THRUST 6500 W/L	2
15	0730174	PIN, C'BAR PIVOT, GEN 3 CBAR	1
16	0730175	PLATE -PIVOT PIN KEEPER -GEN 3	1
17	0730180	PIN, CLAW PIVOT, GEN 3 CBAR	2
18	0730181	PIN, CLAW CYL., BASE - GEN 3	2
19	0730183	PLATE, ACCESS COVER - GEN 3	4
20	0730218	BUSHING, CLAW PIVOT	4
21	0730258	PLT, END CAP LH	1
22	0730259	PLT, END CAP RH	1
23	0811029	WHEEL SPACER WLMT 812	2
24	0811047	DETENT BRK'T WELD'T, GEN 3	1
25	0811055	CLAW, TUBE VERSION, 812 GEN3	2
26	0811056	812 GEN3 CROSSBAR WLMT	1
27	0811061	PIN WLMT, CLAW/CYL GEN3	2
28	9047057	DIE SPRING- MHP-42{DANLY	1
29	9052013	1" BALL CHROME	1
30	HC1291	FITTING, 4MJ-4MB STR THR	4
31	HD0160	SNAP RING, 3/4 EXTERNAL	2

Section I - PARTS (cont'd)

DUAL WINCH BUCKET ASSEMBLY



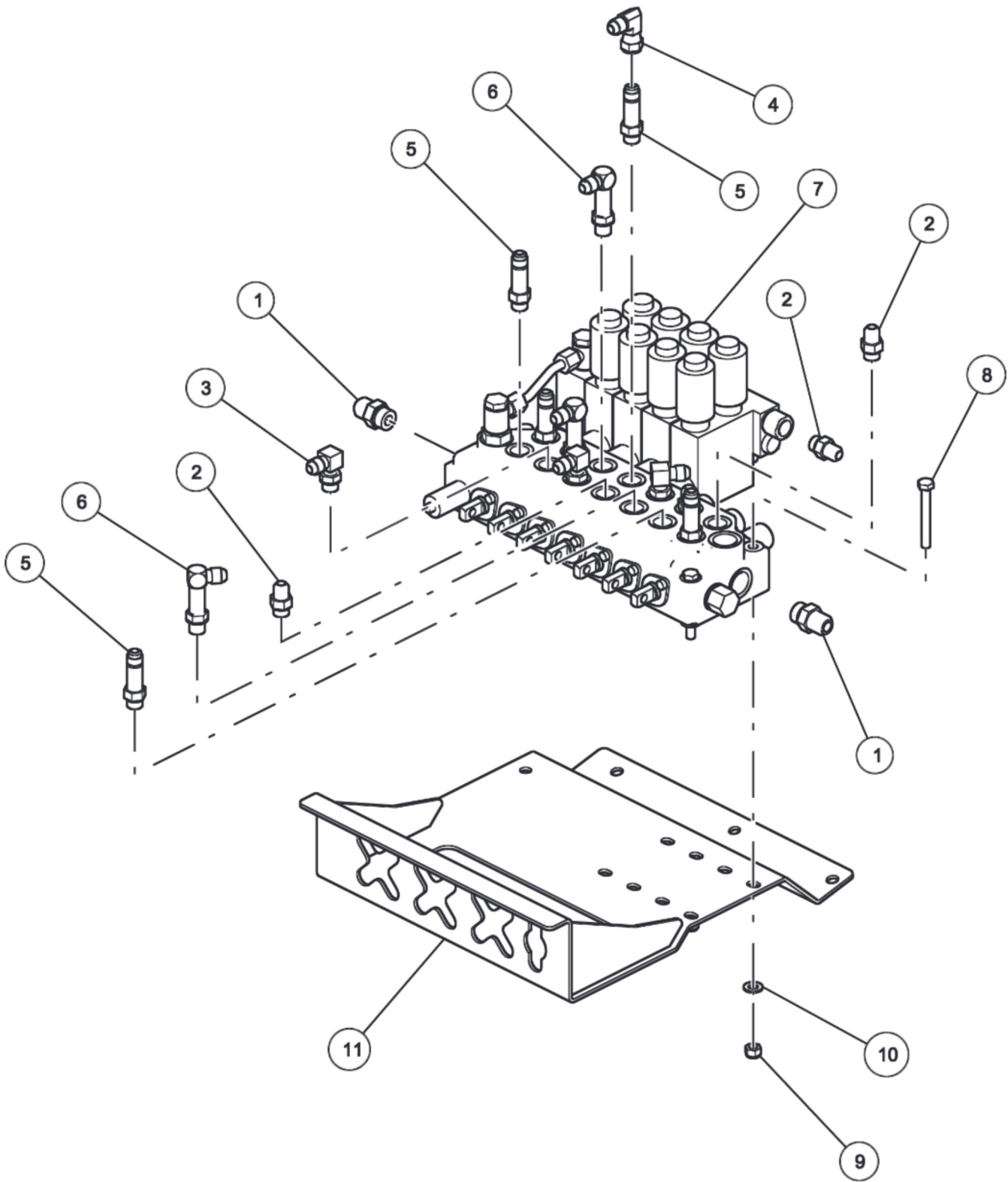
Section I - PARTS (cont'd)

DUAL WINCH BUCKET ASSEMBLY

ITEM	PART NUMBER	DESCRIPTION	QTY
-	0908391	8K DUAL WINCH BUCKET ASSY	1
1	0302739	CABLE TENSIONER H-200 &	2
2	0307097	MOTOR, HYD PARKER -4 CU. IN.	2
3	0307579	WINCH, LEFT	1
4	0307580	WINCH, RIGHT	1
5	0400122	SCREW, 3/8-16X1-1/4 HHC GR5	12
6	0400196	SCREW, 1/2-13X1-1/4 SHC	4
7	0400416	NUT, 1/2-13 LOK GR8	4
8	0400482	LKWASHER, 3/8	12
9	0400491	LKWASHER, 1/2	4
10	0806847	DUAL WINCH BUCKET WLMT	1
11	0908627	WINCH FREESPOOL ASSY, MODULAR	2

Section I - PARTS (cont'd)

VALVE PLATE ASSEMBLY



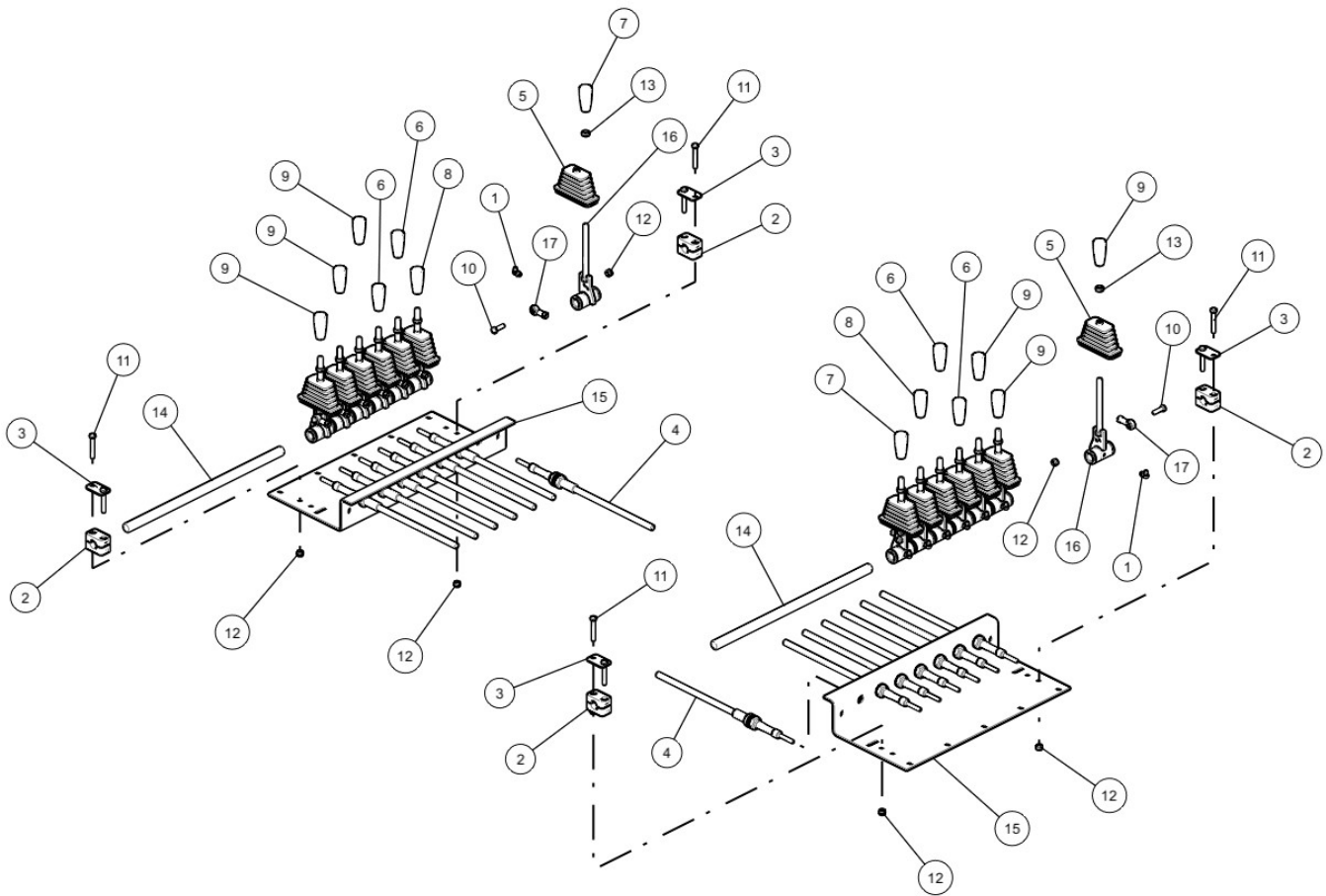
Section I - PARTS (cont'd)

VALVE PLATE ASSEMBLY

ITEM	PART NUMBER	DESCRIPTION	QTY
-	0908396	7-SPOOL VALVE PLATE ASSY	1
1	0300041	FITTING, CONNECTOR 8MJ-8MB	2
2	0301522	FITTING, CONN. 6MJ-6MB	4
3	0301620	FITTING, HYD. 6MJ - 6MB90	3
4	0301696	FITTING, ELB 90 DEG 6MJ-6FJX90	1
5	0302510	FITTING, 6MJ-6MBL HYD	5
6	0307460	FITTING, HYD 6MJ-6MB90LL	3
7	0310464	VALVE, 7 SPOOL-WALVOIL EXPRESS	1
8	0400107	SCREW, 5/16-18X2-1/2 HHC GR5	3
9	0400382	NUT, 5/16-18 LOK	3
10	0400463	WASHER, 5/16	3
11	0807505	VALVE MTG BRKT WLMT EXP WALVOI	1

Section I - PARTS (cont'd)

7-HANDLE DUAL CONTROL ASSEMBLY



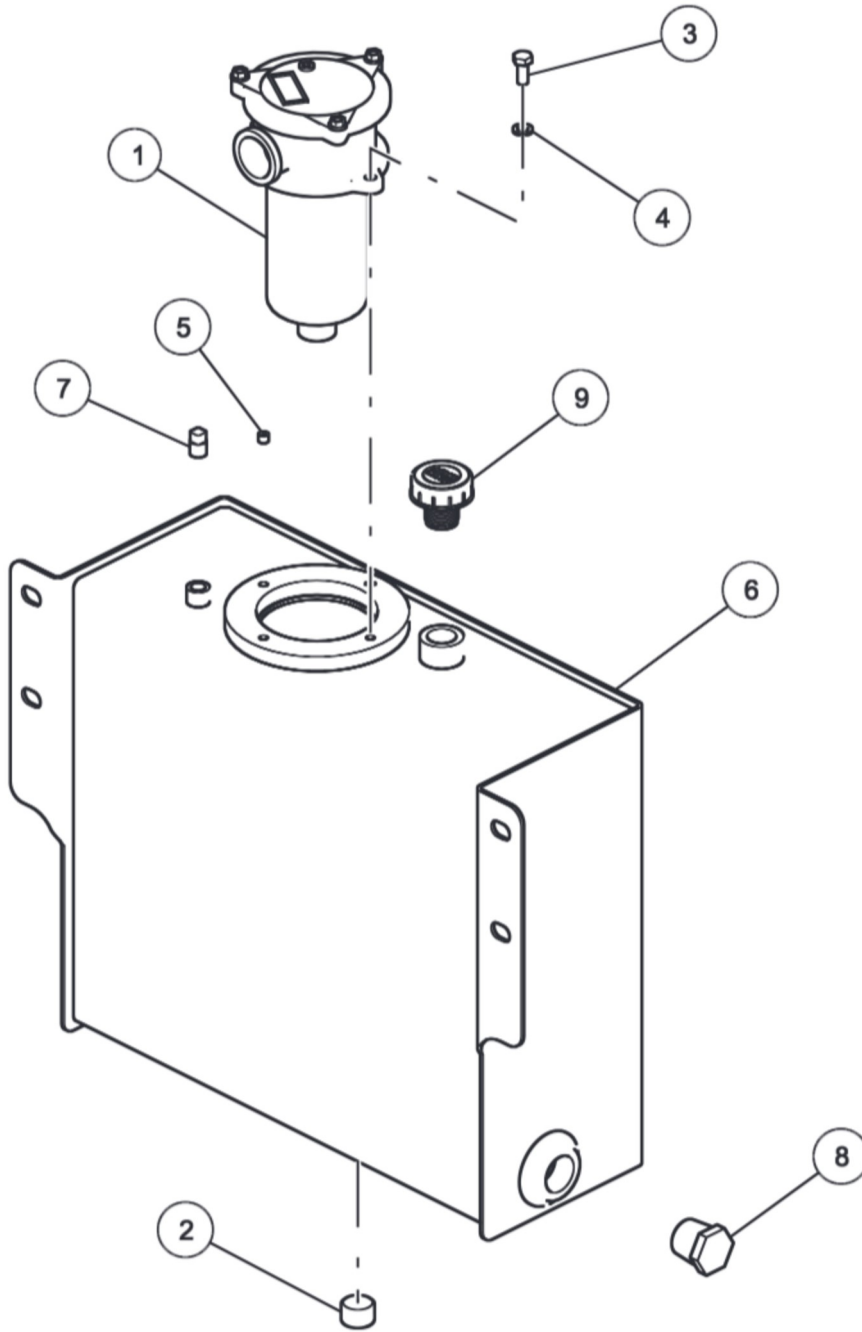
Section I - PARTS (cont'd)

7-HANDLE DUAL CONTROL ASSEMBLY

ITEM	PART NUMBER	DESCRIPTION	QTY
-	0910213	7-HANDLE DUAL CONTROL 312	1
1	0301397	GREASE FITTING, 1/4-28 90	14
2	0307823	CLAMP CUSHION 3/4" OD TUBE	4
3	0307824	PLATE, COVER	4
4	0310148	BOOT, CONTROL HANDLE	14
5	0310930	CONTROL CABLE 64" MARINE GRADE	14
6	0311699	CONTROL KNOB BLUE BOOM/BED	4
7	0311700	CONTROL KNOB RED PRIMARY WINCH	2
8	0311701	CONTROL KNOB GREEN 2ND WINCH	2
9	0311702	CONTROL KNOB GRAY UNDERLIFT	6
10	0400070	SCREW, 1/4-20X1 HHC GR5	14
11	0400078	SCREW, 1/4-20X2 HHC GR5	8
12	0400367	NUT, 1/4-20 LOK	22
13	0400393	NUT, 3/8-16 JAM	14
14	07000333	PIN-CONTROL HANDLE PIVOT	2
15	0722377	PLATE, CONTROL HANDLE MTG-BOOT	2
16	0908406	CONTROL HANDLE ASSY	14
17	HD0900	BEARING-ROD END 1/4-28	14

Section I - PARTS (cont'd)

HYDRAULIC TANK ASSEMBLY

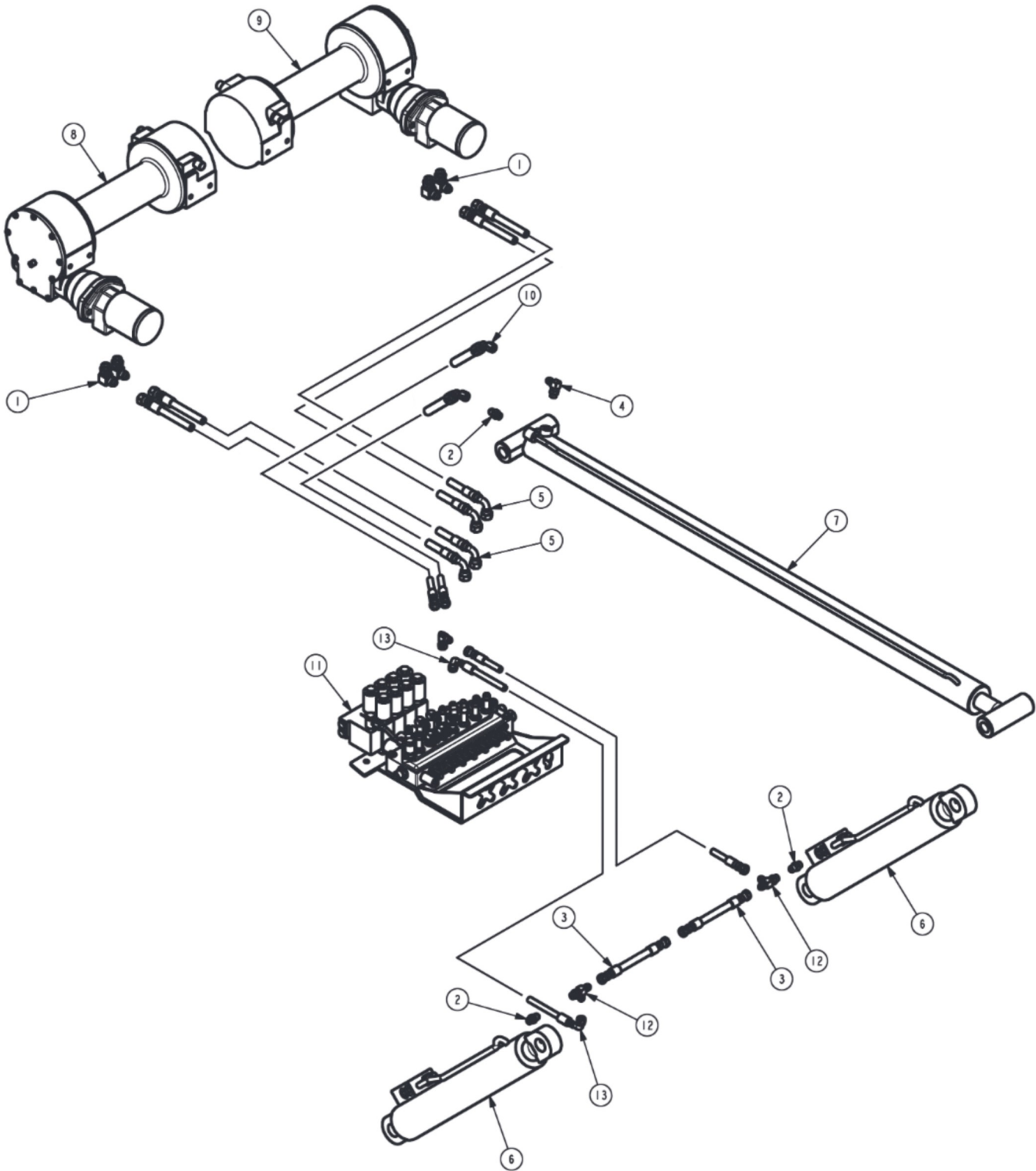


Section I - PARTS (cont'd)

HYDRAULIC TANK ASSEMBLY

ITEM	PART NUMBER	DESCRIPTION	QTY
-	0910933	HYD TANK ASSY, NARROW	1
1	0310296	FILTR HEAD ASSY W' ELEMENT	1
2	0310462	PLUG, 3/4 NPT HEX - MAGNETIC	1
3	0400118	SCREW, 5/16-18X3/4 HHC GR5	2
4	0400464	LKWASHER, 5/16	2
6	0807895	HYD TANK WLMT, NARROW	1
7	9011011	1/4 SQ HD PIPE PLUG	1
8	9012839	1 PIPE PLUG	1
9	9018131	BREATHER CAP (LUCAS) 3/4	1

Section I - PARTS (cont'd)
BOOM & WINCH HYDRAULICS



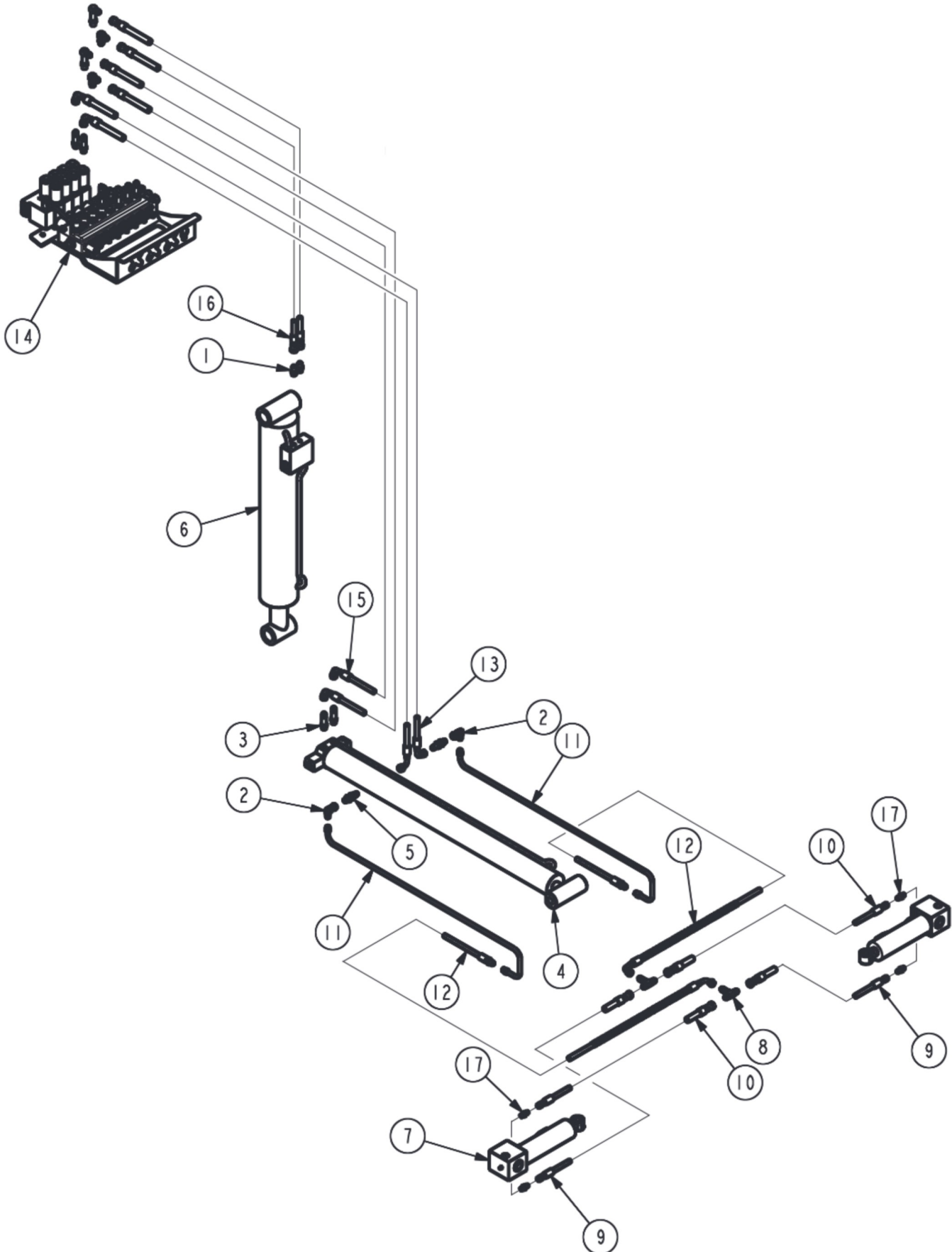
Section I - PARTS (cont'd)

BOOM & WINCH HYDRAULICS

ITEM	PART NUMBER	DESCRIPTION	QTY
1	0301388	ELBOW, 8MJ-8MB90	4
2	0301522	CONNECTOR, 6MJ-6MB	3
3	0301524	HOSE ASSEMBLY, 180" LG	2
4	0301620	ELBOW, 6MJ-6MB90	1
5	0302584	HOSE ASSEMBLY, 12" LG	4
6	0307575	LIFT CYLINDER	2
7	0307578	HYD CYLINDER, BOOM EXTEND	1
8	0307579	WINCH ASSEMBLY, HY-246 NARROW DRUM	1
9	0307580	WINCH ASSEMBLY, HY-246 NARROW DRUM	1
10	0307633	HOSE ASSEMBLY, 46" LG	2
11	0908396	7-SPOOL VALVE ASSEMBLY	1
12	9012594	HYD RUN TEE, 6MJ-6MB-6MJ	2
13	810770015	HOSE ASSEMBLY, 29"	2

Section I - PARTS (cont'd)

WHEEL LIFT HYDRAULICS



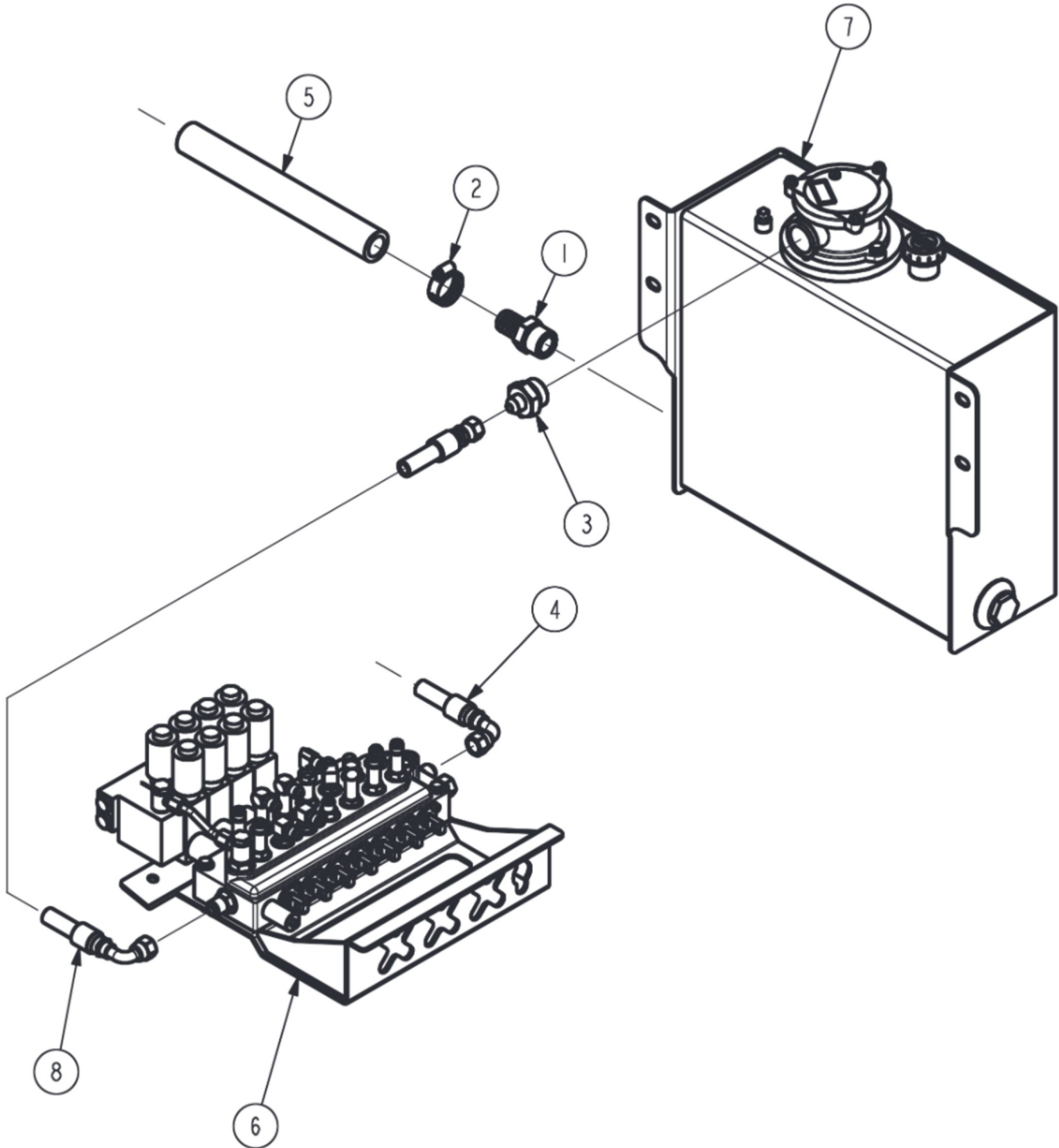
Section I - PARTS (cont'd)

WHEEL LIFT HYDRAULICS

ITEM	PART NUMBER	DESCRIPTION	QTY
1	0301522	CONNECTOR 6MJ-6MB	2
2	0301696	ELBOW, 6MJ-6FJX90	2
3	0302510	CONNECTOR, 6MJ-6MBL HYD	2
4	0303020	CYLINDER, WHEEL LIFT EXTEND	1
5	0310480	BLKHD 3NJ-BLKHD UNION W/ NUT	2
6	0310579	CYLINDER, 4.0 BORE 19.5 STROKE	1
7	0311600	CYLINDER, 812 CLAW	2
8	0311617	BLKHD TEE, 6MJ	2
9	0311657	HOSE ASSEMBLY, 28"	2
10	0311658	HOSE ASSEMBLY, 37 1/2"	2
11	0311691	HYDRAULIC HARDLINE, OUTER W/L	2
12	0311771	HOSE ASSEMBLY, 183" LG	2
13	0311803	HOSE ASSEMBLY, 183" LG	2
14	0908396	7-SPOOL VALVE ASSEMBLY	1
15	806750108	HOSE ASSEMBLY, 140"	2
16	810770003	HOSE ASSEMBLY, 99"	2
17	HC1291	CONNECTOR, 4MJ-4MB STR	4

Section I - PARTS (cont'd)

TANK, VALVE & FILTER HYDRAULICS

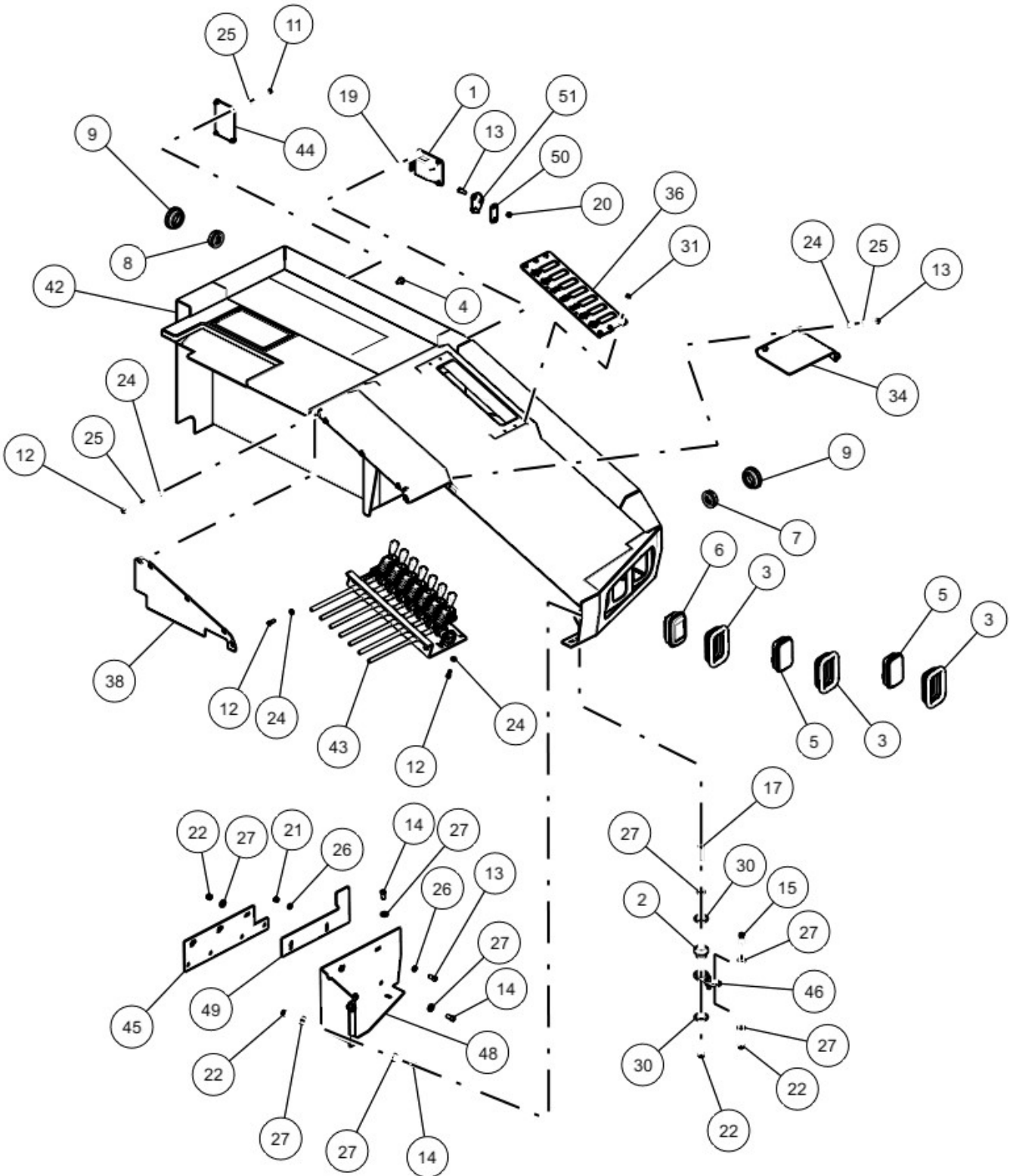


Section I - PARTS (cont'd)

TANK, VALVE & FILTER HYDRAULICS

ITEM	PART NUMBER	DESCRIPTION	QTY
1	0300056	BARB, 16C4-16MP	1
2	0300071	HOSE CLAMP, 1"	1
3	0302757	CONNECTOR, 8MJ-12MB	1
4	0307663	HOSE ASSEMBLY, 185"	1
5	0702540	SUCTION HOSE, 12 FT (1" ID)	1
6	0908396	7-SPOOL VALVE ASSEMBLY	1
7	0910933	HYD TANK ASSY, NARROW	1
8	810770017	HOSE ASSEMBLY, 32"	1

Section I - PARTS (cont'd)
EXPRESS BODY ASSEMBLY CS



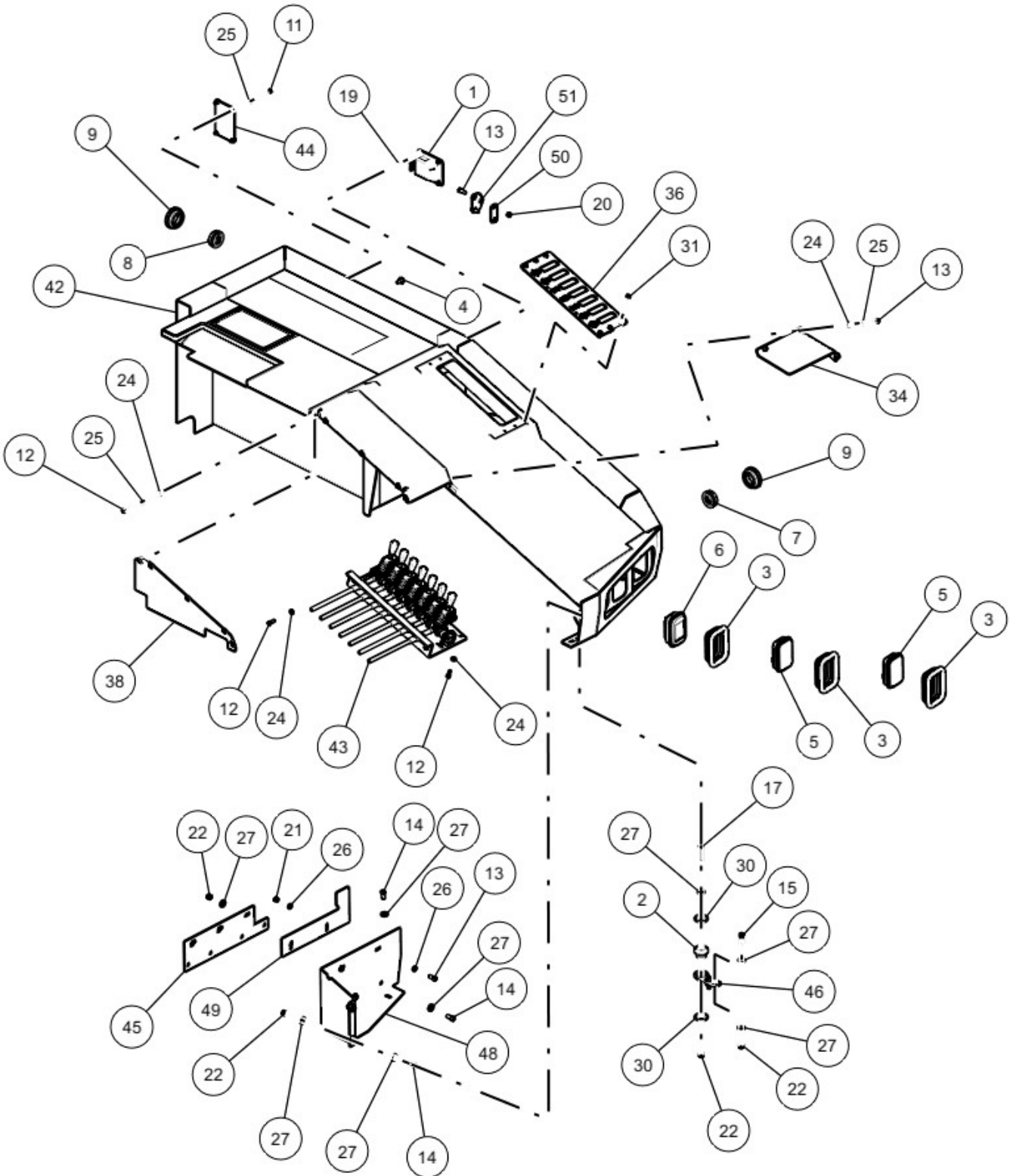
Section I - PARTS (cont'd)

EXPRESS BODY ASSEMBLY CS

ITEM	PART NUMBER	DESCRIPTION	QTY
-	120500225	EXPRESS BODY CS MODULAR	1
1	0303120	LATCH PADDLE W/GASKET	2
2	0306680	RUBBER "T" MOUNTS LTI 20203	6
3	0306685	GROMMET TRUCKLITE 45700 - RECT	6
4	0310925	RUBBER BUMP STOP	4
5	0311507	LIGHT RECT RED LED	4
6	0311510	LIGHT RECT REVERSE W/REFLEX	2
7	0311512	LIGHT 2.5" RED REFLEX LED	2
8	0311513	LIGHT 2.5" AMBER REFLEX LED	2
9	0311516	GROMMET, LIGHT 2.5" ROUND	4
10	0311531	LIGHT 3 RED ID BAR LED	1
11	0400059	SCREW, 1/4-20X5/8 HHC GR5	8
12	0400070	SCREW, 1/4-20X1 HHC GR5	28
13	0400109	SCREW, 5/16-18X1 HHC GR5	14
14	0400126	SCREW, 3/8-16X1 HHC GR5	14
15	0400132	SCREW, 3/8-16X1-1/2 HHC GR5	4
16	0400133	SCREW, 3/8-16X3 HHC GR5	8
17	0400150	SCREW, 3/8-16X2-1/2 HHC GR5	2
18	0400237	SCREW, 1/2-13X4 HHC GR5	4
19	0400351	NUT, 8-32 HEX	8
20	0400381	NUT, 5/16-18 HEX	4
21	0400382	NUT, 5/16-18 LOK	4
22	0400392	NUT, 3/8-16 LOK	20
23	0400408	NUT, 1/2-13 LOK	4
24	0400451	WASHER, 1/4	34
25	0400452	LKWASHER, 1/4	24
26	0400463	WASHER, 5/16	12

Section I - PARTS (cont'd)

EXPRESS BODY ASSEMBLY CS (cont'd)



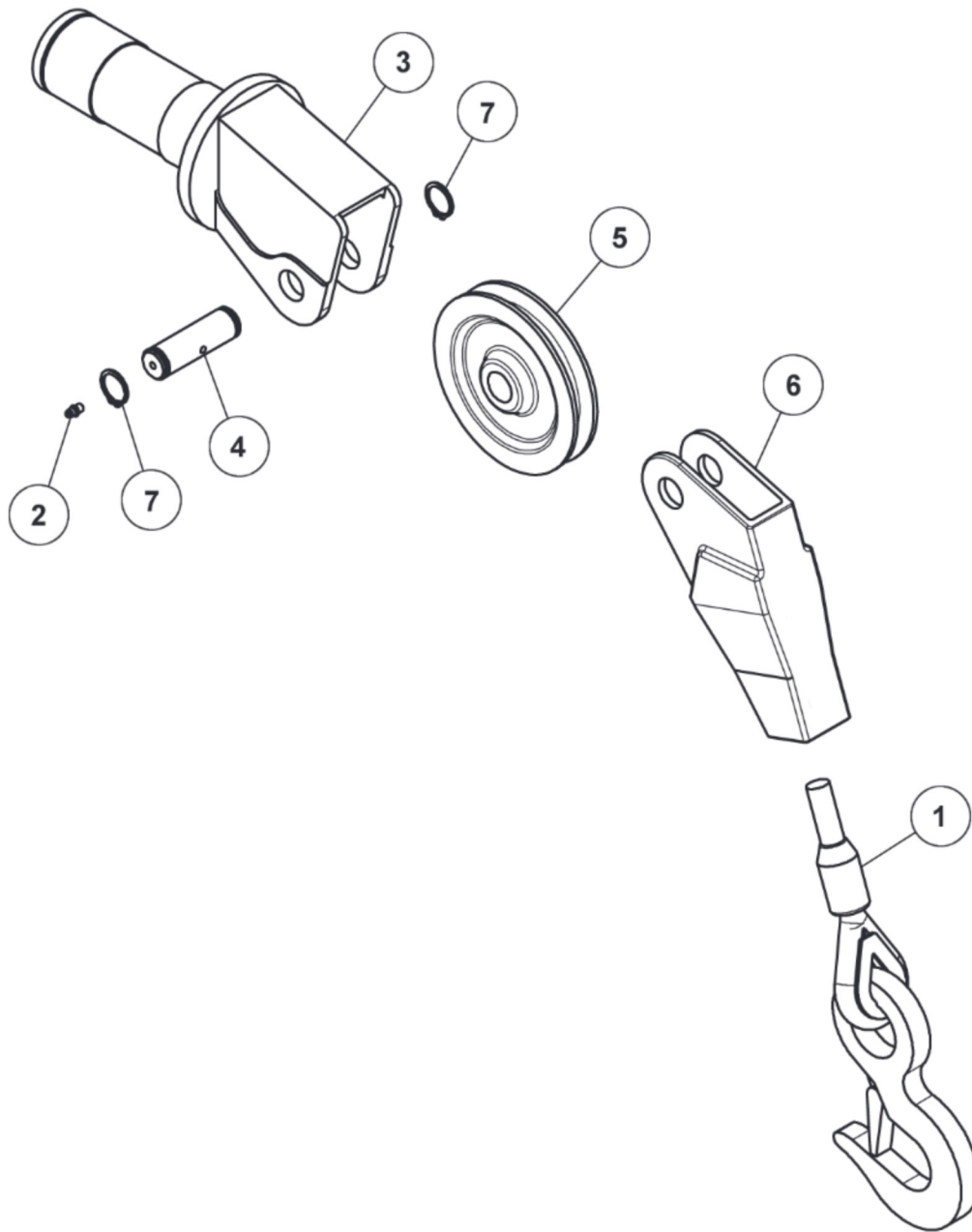
Section I - PARTS (cont'd)

EXPRESS BODY ASSEMBLY CS (cont'd)

ITEM	PART NUMBER	DESCRIPTION	QTY
-	120500225	EXPRESS BODY CS MODULAR (cont'd)	1
27	0400480	WASHER, 3/8	38
28	0400482	LKWASHER, 3/8	8
29	0400484	WASHER, SPECIAL .406X1-3/4	8
30	0400498	WASHER, 1/2X2X0.125	4
31	0400601	SCREW, 1/4X1 SHM SS	12
32	0400888	WASHER, 3/8 FEN	8
33	0718658	PANEL, LEFT HAND REAR SLOPE	1
34	0718659	PANEL, RIGHT HAND REAR SLOPE	1
35	0725189L	PLT 7SLOT CONT CVR 312/807	1
36	0725189R	PLT 7SLOT CONT CVR 312/807	1
37	0806953	SKIRT, LEFT HAND	1
38	0806954	SKIRT, RIGHT HAND1	
39	0807232	TUBE MOUNTING WELDT	1
40	0807471	REAR BODY MTG TUBE WELD'T	1
41	0807910	BODY WLMT, EXPR LH CS 2011 BOX	1
42	0807911	BODY WLMT, EXPR RH CS 2011 BOX	1
43	0910213	7-HANDLE DUAL CONTROL 312	1
44	805040005	COVER PLATE-BOOM END (RE	2
45	810010001	BRACKET, CS - MUD FLAP	2
46	810030005	PLATE-BODY REAR MTG. (T. MTG)	2
47	810030015	LH SS LIGHT COVER PANEL	1
48	810030016	PLATE, GUARD FILLER SS	2
49	810037015	RH SS LIGHT COVER PANEL	1
50	945400518	WASHER PLATE PL, STRIKE	2
51	945400800	STRIKER PIN WELD'T PL	2

Section I - PARTS (cont'd)

BOOM SWIVEL ASSEMBLY



ITEM	PART NUMBER	DESCRIPTION	QTY
1	0302916	WIRE ROPE, 3/8" X 6 X 19 IPS	1
--	805180000	SHEAVE HOUSING ASSEMBLY	--
2	0300113	GREASE FITTING, 1/4"-28 STRAIGHT	1
3	804181500	SHEAVE HOUSING CASTING	1
4	805180001	SHEAVE SHAFT 1	1
5	805180002	SHEAVE CASTING (WAS 9050504)	1
6	852060100	CABLE GUIDE ~ CASTING	1
7	9056098	RETAINING RING, EXT 1" NOM. HEAVY DUTY	2

Section I - PARTS (cont'd)

PARTS LIST

ITEM	PART NUMBER	DESCRIPTION	QTY
	28519001	BUA 312 P/TILT	--
	0301471	HOSE HYD, 30"	1
	0301522	FITTING, CONN. 6MJ-6MB	2
	0301921	HOSE HYD, 128	2
	0302584	HOSE HYD, 50"	4
	0302922	HOSE HYD, 170	4
	0306680	RUBBER "T" MOUNTS LTI 20203	4
	0307575	CYLINDER, LIFT 3.00 X 17.75	2
	0307633	HOSE, HYD ASSY 46" LGTH	2
	0310333	PLUG, 8MJ	1
	0310946	HOSE 14" 6M3K-6FJXF EE	2
	0400057	SCREW, 1/4-20X1-1/4 HHC	2
	0400066	SCREW, 1/4-20X3/4 HHC GR5	2
	0400109	SCREW, 5/16-18X1 HHC GR5	5
	0400132	SCREW, 3/8-16X1-1/2 HHC GR5	8
	0400146	SCREW, 3/8-16X2-1/4 HHC GR5	2
	0400177	SCREW, 1/2-13X1-1/4 HHC GR5	4
	0400237	SCREW, 1/2-13X4 HHC GR5	4
	0400367	NUT, 1/4-20 LOK	4
	0400382	NUT, 5/16-18 LOK	5
	0400392	NUT, 3/8-16 LOK	10
	0400408	NUT, 1/2-13 LOK	4
	0400451	WASHER, 1/4	6
	0400452	LKWASHER, 1/4	2
	0400463	WASHER, 5/16	10
	0400480	WASHER, 3/8	6
	0400482	LKWASHER, 3/8	4
	0400492	WASHER, 1/2	4
	0400498	WASHER, 1/2X2X0.125	8
	0501560	PLATE-SERIAL/DATA 311/312	1
	0719519	SHIM, BOOM PIVOT (0.0747 THK)	2
	0719520	SHIM, BOOM PIVOT (.1196 THK)	2
	0730187	JUNCTION BOX PLATE EXP,810,812	1
	0807183	MAIN BOOM PIVOT PIN WLMT.	1
	0807232	TUBE MOUNTING WELDT	1
	0807471	REAR BODY MTG TUBE WELD'T	1
	0807707	PIN WELDMENT, LIFT CYLINDER	4
	0810187	SUBFRAME, 312 PT	1
	0810264	EXPRESS CABLE TIE BACK LH	1
	0810265	EXPRESS CABLE TIE BACK RH	1
	0811029	WHEEL SPACER WLMT 812	2
	0901420	KIT, SAFETY CHAIN 1	
	0902842	KIT, "D" RING	1
	0908396	7-SPOOL VALVE PLATE ASSY	1
	0910213	7-HANDLE DUAL CONTROL 312	1
	0910933	HYD TANK ASSY, NARROW	1
	0911466	812 CROSSBAR ASSY GEN3.2	1
	28519002	MAIN BOOM ASSY 312 P/TILT	1
	28519003	W/L ASSY EXP P/T	1
	810740001	WIRING HARNESS 810	1

Section I - PARTS (cont'd)

PARTS LIST (cont'd)

ITEM	PART NUMBER	DESCRIPTION	QTY
	28519001	BUA 312 P/TILT (cont'd)	--
	810770015	HOSE 29" 4M2T 6FJX90S-6FJX	2
	9012594	FITT, HYD RUN TEE, 6MJX6MBX6MJ	2
	9056150	RETAINING RING, 1 1/2	1
	0901420	KIT, SAFETY CHAIN --	
	0307383	CHAIN ASSY 5/16 G7 X 12'	2
	0400122	SCREW, 3/8-16X1-1/4 HHC GR5	2
	0400392	NUT, 3/8-16 LOK	2
	0400480	WASHER, 3/8	4
	0902842	KIT, "D" RING	--
	0400078	SCREW, 1/4-20X2 HHC GR5	2
	0400367	NUT, 1/4-20 LOK	2
	0712380	D-RING	2
	BA0259	PIN, "D" RING	2
	0908396	7-SPOOL VALVE PLATE ASSY	--
	0300041	FITTING, CONNECTOR 8MJ-8MB	2
	0301522	FITTING, CONN. 6MJ-6MB	3
	0301620	FITTING, HYD. 6MJ - 6MB90	3
	0301696	FITTING, ELB 90 DEG 6MJ-6FJX90	1
	0302510	FITTING, 6MJ-6MBL HYD	4
	0307460	FITTING, HYD 6MJ-6MB90LL	3
	0310464	VALVE, 7 SPOOL-WALVOIL EXPRESS	1
	0400107	SCREW, 5/16-18X2-1/2 HHC GR5	3
	0400109	SCREW, 5/16-18X1 HHC GR5	1
	0400126	SCREW, 3/8-16X1 HHC GR5	4
	0400132	SCREW, 3/8-16X1-1/2 HHC GR5	2
	0400382	NUT, 5/16-18 LOK	3
	0400392	NUT, 3/8-16 LOK	6
	0400463	WASHER, 5/16	3
	0400464	LKWASHER, 5/16	1
	0400480	WASHER, 3/8	2
	0807505	VALVE MTG BRKT WLMT EXP WALVOI	1
	0910213	7-HANDLE DUAL CONTROL 312	--
	0301397	GREASE FITTING, 1/4-28 90	14
	0307823	CLAMP CUSHION 3/4" OD TUBE	4
	0307824	PLATE, COVER	4
	0310930	CONTROL CABLE 64" MARINE GRADE	14
	0400070	SCREW, 1/4-20X1 HHC GR5	14
	0400078	SCREW, 1/4-20X2 HHC GR5	8
	0400365	NUT, 1/4-28 HEX	42
	0400367	NUT, 1/4-20 LOK	22
	0400458	LKWASHER, 1/4 EXT	42
	0400527	PIN, 5/16X1X5/8 CLEVIS	7
	0400829	NUT, 5/8-18 JAM	28
	0400830	WASHER, 5/8 LOK INT	28
	07000333	PIN-CONTROL HANDLE PIVOT	2

Section I - PARTS (cont'd)

PARTS LIST (cont'd)

ITEM	PART NUMBER	DESCRIPTION	QTY
	0910213	7-HANDLE DUAL CONTROL 312 (cont'd)	--
	0722377	PLATE, CONTROL HANDLE MTG-BOOT	2
	0908406	CONTROL HANDLE ASSY	14
	3014-791012	CLEVIS, DUAL CTRL CABLE	7
	HD0900	BEARING-ROD END 1/4-28	14
	0908406	CONTROL HANDLE ASSY	--
	0806852	CONTROL HANDLE WELD'T	1
	9053524	BEARING BR. FLG.752 X .879X.75	2
	0910933	HYD TANK ASSY, NARROW	--
	0310296	FILTR HEAD ASSY W' ELEMENT	1
	0310462	PLUG, 3/4 NPT HEX - MAGNETIC	1
	0400118	SCREW, 5/16-18X3/4 HHC GR5	2
	0400464	LKWASHER, 5/16	2
	0400748	SET SCREW, 5/16-18X1/4 SOC	2
	0807895	HYD TANK WLMT, NARROW	1
	9011011	1/4 SQ HD PIPE PLUG	1
	9012839	1 PIPE PLUG	1
	9018131	BREATHER CAP (LUCAS) 3/4	1
	0911466	812 CROSSBAR ASSY GEN3.2	--
	0301959	SNAP RING-INTERNAL 1-1/2	2
	0311600	CYL, 812 CLAW GEN3, PUSH STYLE	2
	0311617	FITTING, 6MJ-BLKHD-TEE	2
	0311657	HOSE, 4FJX-4M3K-MTF-6FJX X 28	2
	0311658	HOSE-4FJX-4M3K-MTF-6FJXX37-1/2	2
	0311739	STOP PAD CLAW GEN3 CBAR	2
	0400060	SCREW, 1/4-20X1/2 HHC GR5	16
	0400079	SCREW, 1/4-20X3/4 FHS GR5	2
	0400121	SCREW, 3/8-16X3/4 HHC GR5	4
	0400428	NUT, 5/8-11 LOK FLEX JAM	2
	0400452	LKWASHER, 1/4	16
	0400482	LKWASHER, 3/8	4
	0400992	SCREW, 1/2-20X2-1/2 FHS BO	2
	0401008	SCREW, 5/8-11X5 FHS	2
	0401150	SNAP RING, 3/4 INT	2
	0710092	WASHER, THRUST 6500 W/L	2
	0730174	PIN, C'BAR PIVOT - GEN 3 CBAR	1
	0730175	PLATE -PIVOT PIN KEEPER -GEN 3	1
	0730180	PIN, CLAW PIVOT - GEN 3 CBAR	2
	0730181	PIN, CLAW CYL. - BASE - GEN 3	2
	0730183	PLATE, ACCESS COVER - GEN 3	4
	0730258	PLT, END CAP LH	1
	0730259	PLT, END CAP RH	1
	0811056	812 GEN3 CROSSBAR WLMT	1
	0811061	PIN WLMT, CLAW/CYL GEN3	2
	0911417	DETENT ASSY, GEN 3 CROSSBAR	1
	0911467	812 CLAW ASSY GEN3.2 CROSSBAR	2
	HC1291	FITTING, 4MJ-4MB STR THR	4

Section I - PARTS (cont'd)

PARTS LIST (cont'd)

ITEM	PART NUMBER	DESCRIPTION	QTY
	0911466	812 CROSSBAR ASSY GEN3.2 (cont'd)	--
	HD0160	SNAP RING, 3/4EXTERNAL	2
	0911417	DETENT ASSY, GEN 3 CROSSBAR	--
	0300113	GREASE FITTING, 1/4-28 STR	1
	0811047	DETENT BRK'T WELD'T, GEN 3	1
	9047057	DIE SPRING- MHP-42(DANLY	1
	9052013	1" BALL CHROME	1
	0911467	812 CLAW ASSY GEN3.2 CROSSBAR	--
	0730218	BUSHING, CLAW PIVOT	2
	0811055	CLAW, TUBE VERSION, 812 GEN3	1
	28519002	MAIN BOOM ASSY 312 P/TILT	--
	0300110	SNAP RING, 1" 5100-100	3
	0300113	GREASE FITTING, 1/4-28 STR	4
	0300679	BEARING PAD, NYLATRON	2
	0301522	FITTING, CONN. 6MJ-6MB	3
	0301620	FITTING, HYD. 6MJ - 6MB90	1
	0306688	TIMBREN SPRING 180 AEON 2 7/8"	1
	0306819	PAD, SLIDE (2 1/4 DIA UHMW)	2
	0307578	CYL, HYD - S24050024PP	1
	0310579	CYLINDER 4.0 BORE 19.5 STROKE	1
	0310791	HARNESS, PROX - SELF LEVEL	1
	0400066	SCREW, 1/4-20X3/4 HHC GR5	8
	0400133	SCREW, 3/8-16X3 HHC GR5	1
	0400141	SCREW, 3/8-16X7/8 HHC GR5	2
	0400204	SET SCREW, 1/2-13X3/4 SOC	2
	0400392	NUT, 3/8-16 LOK	1
	0400410	NUT, 1/2-13 JAM	2
	0400416	NUT, 1/2-13 LOK GR8	14
	0400426	NUT, 5/8-11 LOK GR8	4
	0400451	WASHER, 1/4	6
	0400452	LKWASHER, 1/4	8
	0400464	LKWASHER, 5/16	4
	0400482	LKWASHER, 3/8	2
	0400497	WASHER, 1/2 GR8	28
	0400614	SCREW, 5/16-18X3/4 BSC	4
	0400633	SCREW, 1/2-13X1-1/2 HHC GR8	14
	07000314	CABLE GUIDE, FRONT	2
	0703082	PIN, EXT CYL PIVOT	1
	0705499	SHAFT, UPPER SPADE	1
	0708519	PLATE, COVER BOOM UPPER	1
	0717069	PIN, MIDNIGHT U/L	1
	0717674	SHIM, PAD SPACER	2
	0718218	PIN, FOLD (BASE)	1
	0718219	PLATE, PAD CAGE	1
	0718527	COVER, HOSE TRACK	1
	0806843	INNER MAIN BOOM WELD'T EXPRESS	1
	0806845	DUAL SHEAVE HEAD WELDMENT	1

Section I - PARTS (cont'd)

PARTS LIST (cont'd)

ITEM	PART NUMBER	DESCRIPTION	QTY
	28519002	MAIN BOOM ASSY 312 P/TILT (cont'd)	--
	0810190	MAIN BOOM WLMT, EXPRESS P/T	1
	0908391	8K DUAL WINCH BUCKET ASSY	1
	805180000	SHEAVE HOUSING ASSEMBLY	2
	880060002	NYLATRON PAD (STINGER UPPER)	2
	9043950	5/8 NC X 1 1/2 HHCS PL GR 8	4
	9055275	SNAP RING EXT.2 3/4" 5160-275	2
	9056150	RETAINING RING - 1 1/2	2
	0908391	8K DUAL WINCH BUCKET ASSY	--
	0301388	FITTING, 90ELL, 8MJ-8MB90	4
	0307097	MOTOR, HYD PARKER -4 CU. IN.	2
	0307579	WINCH, LEFT	1
	0307580	WINCH, RIGHT	1
	0400122	SCREW, 3/8-16X1-1/4 HHC GR5	12
	0400126	SCREW, 3/8-16X1 HHC GR5	2
	0400150	SCREW, 3/8-16X2-1/2 HHC GR5	2
	0400196	SCREW, 1/2-13X1-1/4 SHC	4
	0400393	NUT, 3/8-16 JAM	2
	0400416	NUT, 1/2-13 LOK GR8	14
	0400480	WASHER, 3/8	8
	0400482	LKWASHER, 3/8	16
	0400491	LKWASHER, 1/2	4
	0400497	WASHER, 1/2 GR8	28
	0706668	SHIM, WINCH MTG	2
	0806847	DUAL WINCH BUCKET WLMT	1
	0908627	WINCH FREESPOOL ASSY, MODULAR	2
	9041403	1/2 NC X 1 1/2 HHCS PL GR8	14
	0908627	WINCH FREESPOOL ASSY, MODULAR	--
	0300845	SPRING-CLUTCH T5-68-79-1	1
	0301532	T HANDLE	1
	0301588	ADJUSTABLE YOKE	1
	0400126	SCREW, 3/8-16X1 HHC GR5	1
	0400150	SCREW, 3/8-16X2-1/2 HHC GR5	1
	0400393	NUT, 3/8-16 JAM	1
	0400482	LKWASHER, 3/8	1
	0400537	PIN, 1/2X1-1/2 CLEVIS	1
	0400546	PIN, 1/8X1-1/4 COT	1
	0400560	PIN, 5/32X1 SPR	2
	0702408	CHNL, MTG	1
	0800781	ROD-CONTROL, DUAL	1
	0806995	BELL CRANK WELDMENT	1
	DE1381	1/2 WASHER SAE 17/32 ID	4
	28519003	W/L ASSY EXP P/T	--
	0300113	GREASE FITTING, 1/4-28 STR	2
	0301397	GREASE FITTING, 1/4-28 90	2
	0301522	FITTING, CONN. 6MJ-6MB	2
	0301696	FITTING, ELB 90 DEG 6MJ-6FJX90	4

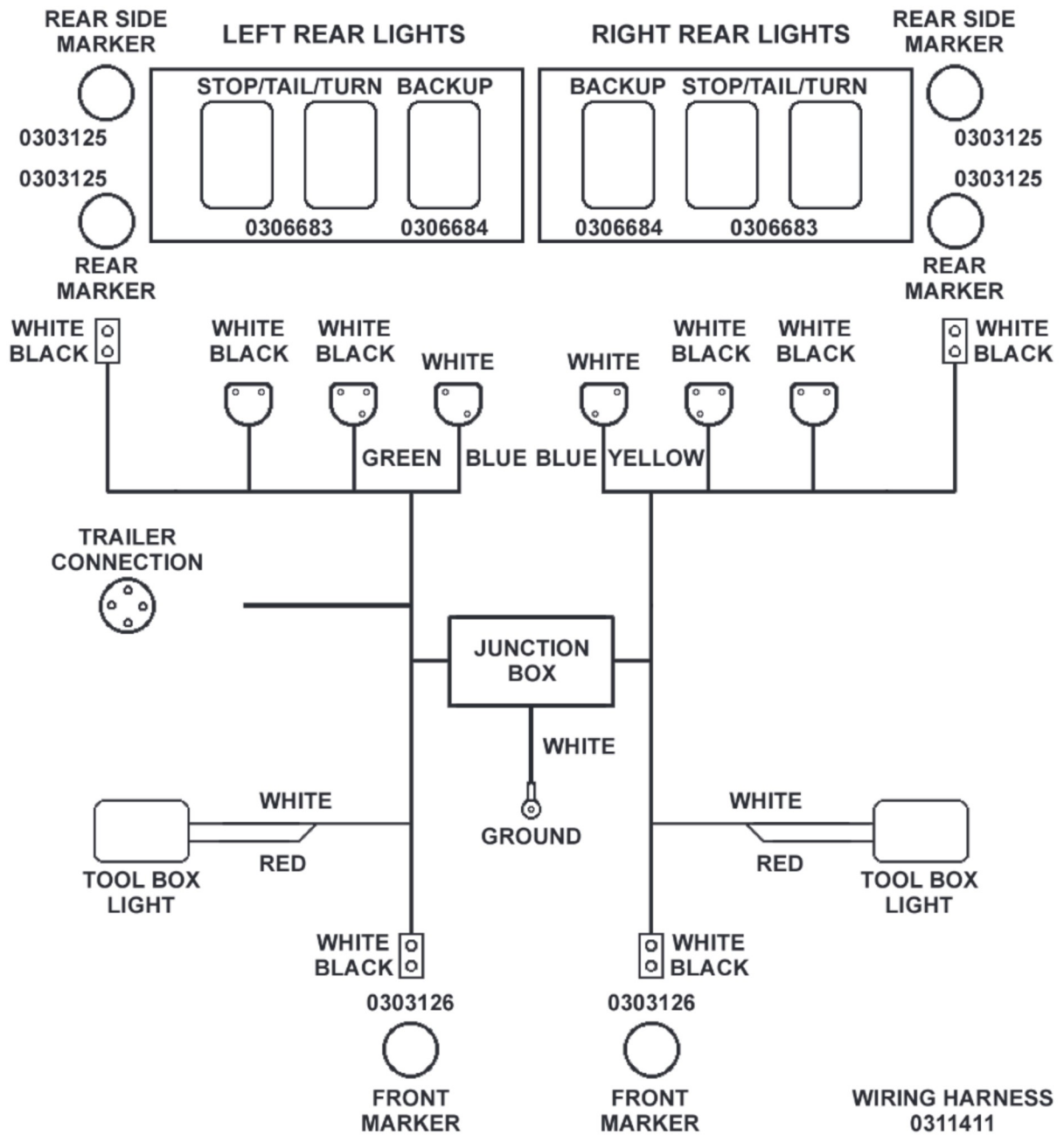
Section I - PARTS (cont'd)

PARTS LIST (cont'd)

ITEM	PART NUMBER	DESCRIPTION	QTY
	28519003	W/L ASSY EXP P/T (cont'd)	--
	0303020	CYL HYD EXT, EB3 (JI3)	1
	0306819	PAD, SLIDE (2 1/4 DIA UHMW)	2
	0310480	FITTING, BULKHEAD -6 UNION	2
	0311390	SPRING, HOSE TENS. ENCL C/B	2
	0311691	3/8" HYD HARD LINE OUTER W/L	2
	0311716	CLAMP BODY SINGLE TUBE POLY	4
	0311717	CLAMP COVER PLATE SINGLE	2
	0311771	HOSE ASSY, 80.5" W/16" WIRE	2
	0400057	SCREW, 1/4-20X1-1/4 HHC	2
	0400066	SCREW, 1/4-20X3/4 HHC GR5	10
	0400118	SCREW, 5/16-18X3/4 HHC GR5	2
	0400121	SCREW, 3/8-16X3/4 HHC GR5	4
	0400204	SET SCREW, 1/2-13X3/4 SOC	2
	0400353	SET SCREW, 3/8X1/2 SOC	2
	0400410	NUT, 1/2-13 JAM	2
	0400451	WASHER, 1/4	10
	0400452	LKWASHER, 1/4	10
	0400463	WASHER, 5/16	2
	0400464	LKWASHER, 5/16	2
	0400482	LKWASHER, 3/8	4
	0400666	PIN, 5/16X1-3/8 CLEVIS SS	2
	0718216	SHAFT, INNER TUBE CYLINDER	1
	0725304	REAR COVER OUTER W/L	1
	0730274	COVER OUTER W/L LH	1
	0730275	COVER OUTER W/L RH	1
	0730280	PIN EXTEND	1
	0730297	PAD CAGE AUTOLOAD	1
	0810138	INNER STINGER WLMT, AUTOLOAD	1
	0810189	OUTER W/L 312 P/TILT	1
	0811058	TILT CYL. PIN WLMT 312 P/T	1
	0911366	SINGLE PULLEY ASSY	2
	3012-794003	BAR, SPACER	1
	896040002	NYLATRON, 6 X 1 1/2 X	4
	9053713	FLG BEARING 1.5"ID OILITE	2
	9056150	RETAINING RING, 1 1/2	1
	0911366	SINGLE PULLEY ASSY	--
	0400132	SCREW, 3/8-16X1-1/2 HHC GR5	1
	0400398	NUT, 3/8-16 LOK JAM	1
	0811023	PULLEY WLMT, ENCL C/B NIU	1

Section II - SCHEMATICS

WIRING HARNESS 0311411

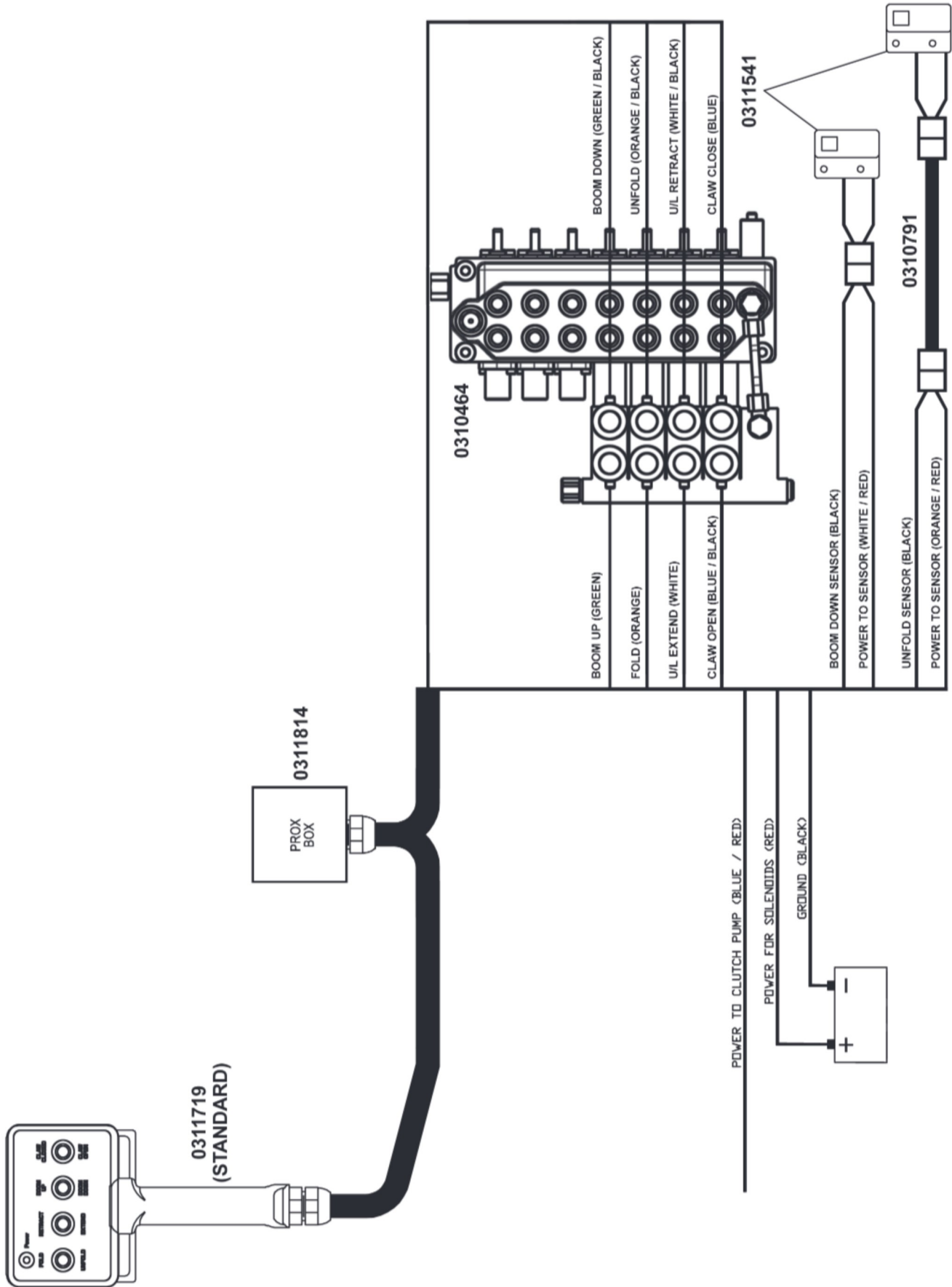


WIRING HARNESS
0311411

WIRE COLOR	USE FOR
BLACK	BACK-UP LIGHT
BLUE	UPPER WORK LIGHT
BROWN	MARKER LIGHT
GRAY	WORK / SPOT LIGHT
GREEN	RIGHT TURN / BRAKE
ORANGE	AUXILIARY
RED	BEACON
WHITE	GROUND
YELLOW	LEFT TURN / BRAKE

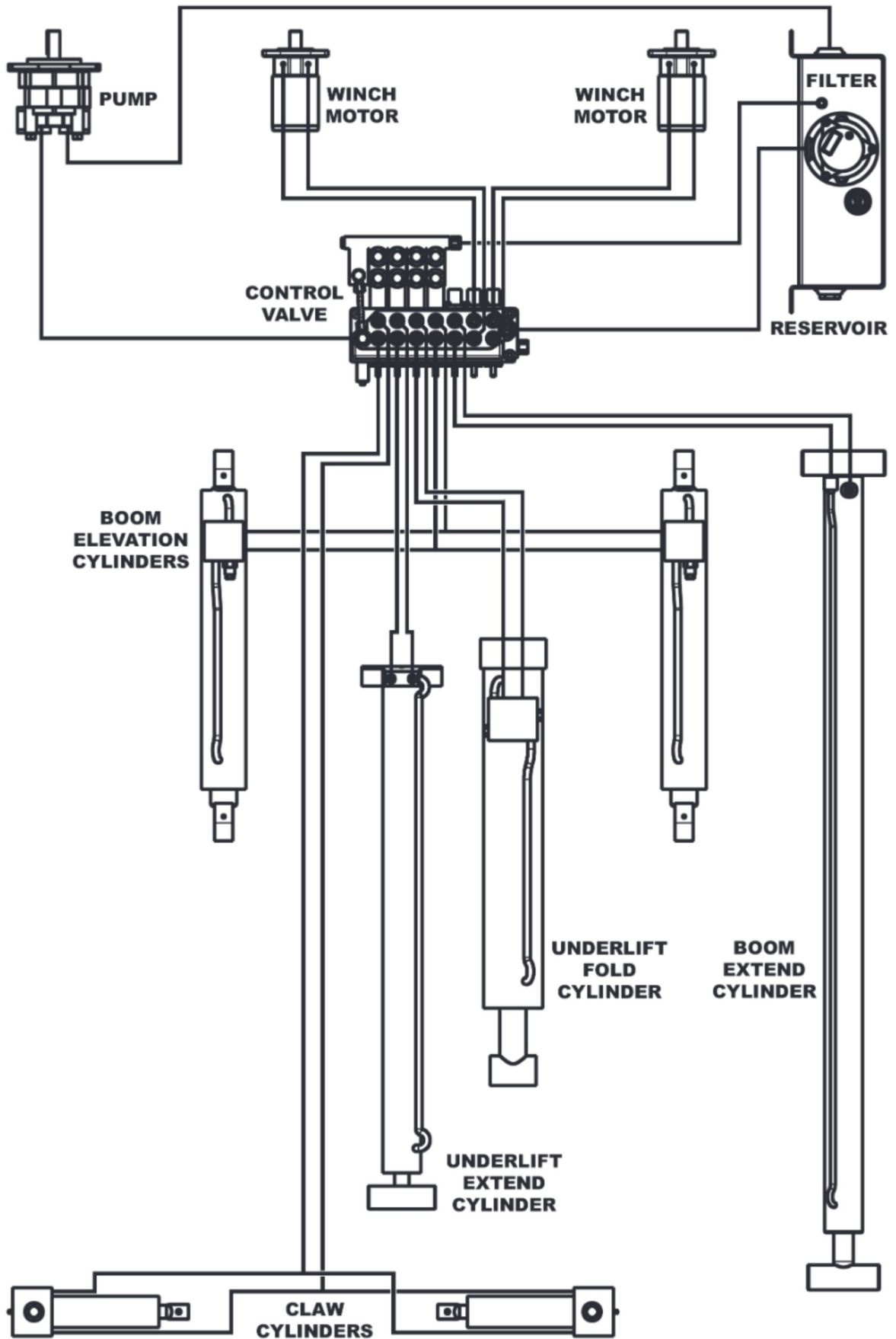
Section II - SCHEMATICS

POWER TILT WIRING



Section II - SCHEMATICS

HYDRAULIC ROUTING





CENTURY[®]

Miller Industries Towing Equipment Inc.
8503 Hilltop Drive • Ooltewah, Tennessee 37363 • (423) 238-4171
www.millerind.com