



Heavy Duty Integrated



Some equipment shown is optional.

V-70 | **V-100**
(35 TON) | (50 TON)



TM

millerind.com

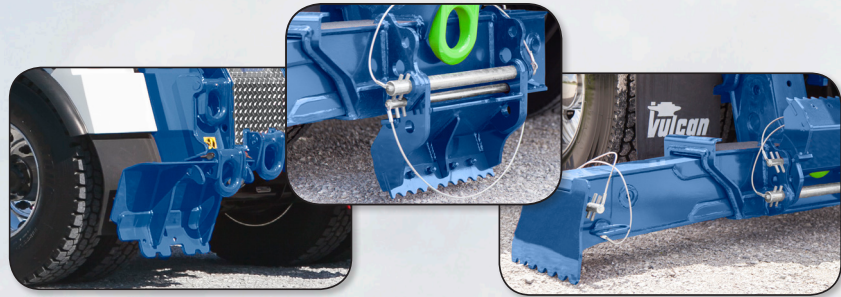


Vulcan®

Innovative



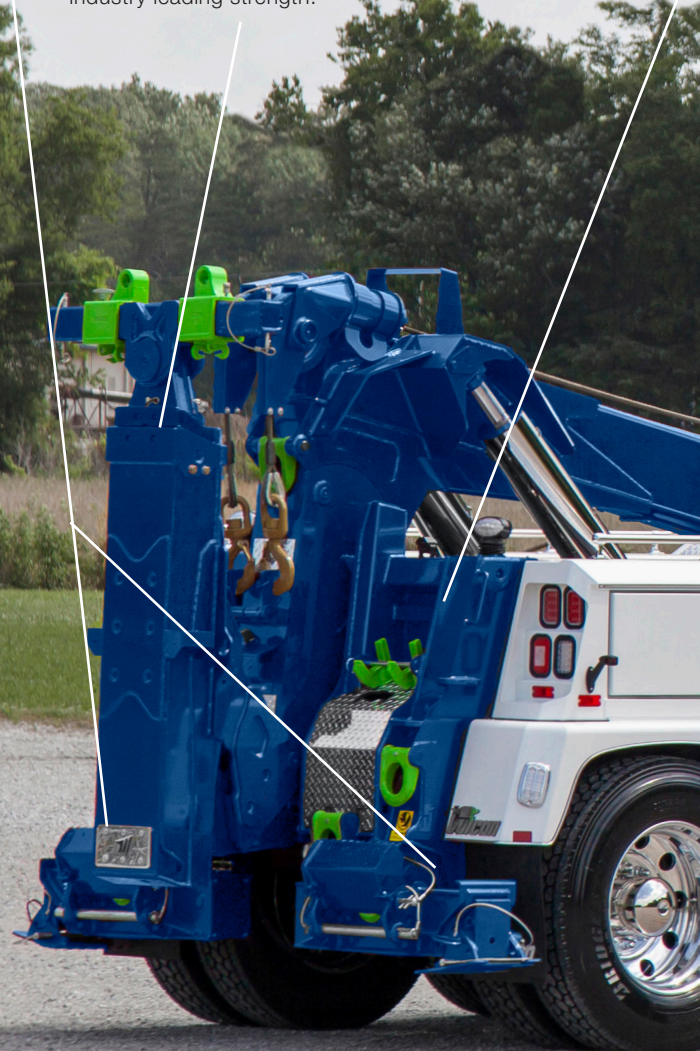
The Vulcan PolyBilt body option features include brushed aluminum roll-up doors. Painted also available.



Independent rear spades provide a wide foot-print and are available with optional multi-position flipper feet or extendable rear outriggers.

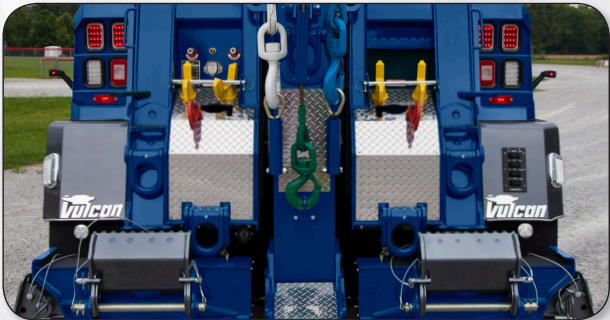


Optional Euro 3-Stage underlift provides 144" of reach with industry leading strength.



Durable

Brutally Tough



Rear tailboard provides quick access to lifting forks, air and electrical hook-ups, and safety chains, along with optional tailboard underlift controls.

3rd WINCH OPTION



An Optional 22,000 lb. 3rd winch is available on both the V-70 and V-100 for increased versatility.



Aluminum body with spacious, modular tool compartments.



Illuminated controls, winch free spools, and gauges are standard on driver and passenger sides.



V-70

35-Ton Integrated Unit

Standard Features

- Dual Control Stations w/Direct Link Activated Levers
- Pressure Gauges
- Hour Meter
- Hydraulic Pump
- Independent Hydraulic Rear Spades
- Pavement Pads (n/a with Flipper Feet)
- Tailboard D-Rings
- Safety Chain in Rear Pockets
- Tailboard Fork & Tie-down Chain Storage
- Tailboard Recovery Anchors
- Air & Electric Hook Up

Boom Features

- Power Elevation
- Power Extension
- 360° Sheave Heads
- Cable Tie Backs
- Spherical Bearings on All Cylinders
- Dual 2-Speed Planetary Winches
- Cable Tensioners
- Winch Air Free Spool

Boom Specifications

Model	Boom Structural Rating (S.A.E.) Retracted 30°	Extended 30°	Boom Angle	Maximum Hook Height	Hydraulic Boom Extension
V-70	70,000 lbs.	28,000 lbs.	35°	233"	120"
V-100	100,000 lbs.	18,000 lbs.	35°	304"	216"

Underlift Specifications

Model	Extended Underlift	Retracted Underlift	Tilt Arc	Tow Rating
V-70	16,000 lbs. @ 116"	38,000 lbs. @ 60"	18°	80,000 lbs.
V-70 (Euro-Stinger)	16,000 lbs. @ 144"	38,000 lbs. @ 67"	18°	80,000 lbs.
V-100	18,000 lbs @ 116"	55,000 lbs. @ 60"	18°	80,000 lbs.
V-100 (Euro-Stinger)	18,000 lbs. @ 144"	55,000 lbs. @ 67"	18°	80,000 lbs.

Chassis Recommendations

Model	Front Axle (lbs.)	Rear Axle (lbs.)	Clear C.A. / C.B.	After Frame from Center of Rear Axle	R.B.M. (in./lbs.)
V-70	13,200	40,000	160" - 200" C.B.	36"	2,250,000
V-100	14,600	40,000	160" - 200" C.B.	36"	3,000,000

Body Specifications

Model	Common Body Configuration	Additional Body Configurations
V-70 / V-100 (Tandem)	160" C.B.	180" / 200" / 220" C.B.
V-70 / V-100 (Tri-Axle)	180" C.B.	200" / 220" C.B.
SP 850-XP (Tri-Axle)	180" C.B.	200" C.B.

Winch Specifications

Model	Winch Capacity	Winch Type	Cable Specifications
V-70	35,000 lbs.	Dual Planetary Winches	3/4" x 200' I.W.R.C.
V-100	50,000 lbs.	Dual Planetary Winches	3/4" x 250' I.W.R.C.
Auxiliary 3rd Winch	22,000 lbs.	Planetary Winch	5/8" x 150' I.W.R.C.

Body Features

- Aluminum Modular Body w/Rubber Mounting Isolators
- LED Body Lighting
- LED Tool Compartment Lighting
- Gas Door Shocks
- Chrome Double Action Latches w/Remote Lock/Unlock
- Adjustable Shelves
- Lift Fork Storage
- Chain Storage
- Aluminum Tread-Plate Walkway
- Mud Flaps

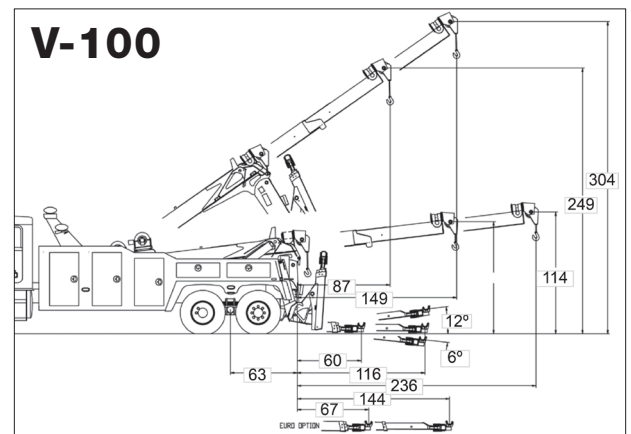
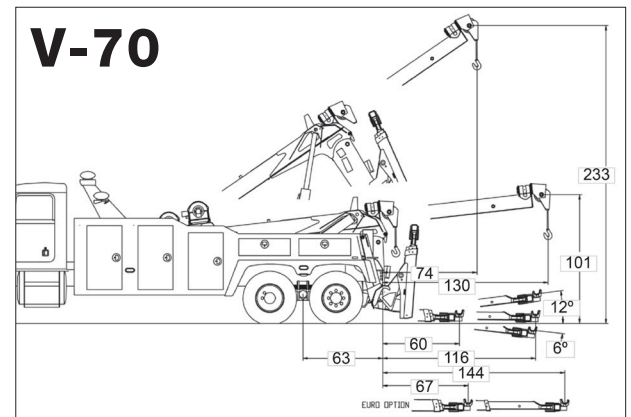
Optional Features

- Under Boom Winch (22k)
- Air Shift P.T.O.
- PolyBilt Body
- MMO Power Distribution
- Multi-Position Flipper Feet
- Extendable Rear Outriggers
- Heavy Duty Tire Lift
- Tire Lift Storage Brackets
- Fork Risers
- Spreader Bars
- Pintle Hook Attachment
- Additional Lift Forks
- Euro Stinger -144"
- Underlift Light Kit (LED)
- Side Work Lights
- 30", 36", or 48" Spacer Box
- Light Pylon
- Dual Camera & Monitor
- Endless Loop Sling Package
- Screw Pin Shackle Kit
- 5th Wheel Plate (Requires Pintle Hook Attachment)
- King Pin Attachment (Requires Pintle Hook Attachment)

Underlift Features

- Patented Power Tilt
- Hydraulic Fold
- 3-Stage Design
- 12 FXN Wireless Remote Control w/ Charging/Docking Station
- Low Profile 70° Pivoting Heavy Duty Fabricated Cross Bar
- Low Profile Fork Holders
- **9 Sets of Cast Steel Forks:**
Short Axle Fork, 3" Short, 3" Medium, 3" Tall, 4.5" Short, 4.5" Medium, 4.5" Tall, 6" Short Offset, Round Axle Fork
- Pivoting Spring Lift Adaptors
- Chain Hook End Caps
- King Pin Tow Plate

- Trailer Ball Adapter (Requires Pintle Hook Attachment)
- Chain Carousel (Requires 36" or 48" Spacer Box)
- Tailboard Underlift Controls
- 4 or 7 Drawer Toolbox
- Water Tank Kit
- Snatch Blocks
- Wide Load Light Bar
- Chain Package
- Aluminum Dress Up Kits
- Inverter Package
- Installation



All ratings are based on structural factors only, not vehicle capacities or capabilities. Specifications shown are approximations and may vary depending on chassis selected. Miller Industries Towing Equipment Inc. reserves the right to change or modify product and/or specifications without notice or obligation. Some equipment shown is optional. *All Recommendations are minimums. Heavier specifications may be required depending on chassis and equipment weight. The outside frame rails of chassis extending behind the cab must be free of fuel tanks, air tanks, battery boxes, etc.